

# ALLIANT ENGINEERING, INC.

733 S Marquette Ave #700, Minneapolis, MN 55402

Xenia Ave & Laurel Ave  
 City: Golden Valley  
 data by: Alliant Engineering, Inc.  
 TURN MOVEMENT COUNT

File Name : Xenia Ave & Laurel Ave\_2021  
 Site Code : 2126778  
 Start Date : 10/27/2021  
 Page No : 1

Groups Printed- Cars - Trucks

Start Time	Xenia Ave Southbound					Laurel Ave Westbound					Xenia Ave Northbound					Laurel Ave Eastbound					Int. Total
	Left	Thru	Right	Peds	App. Total	Left	Thru	Right	Peds	App. Total	Left	Thru	Right	Peds	App. Total	Left	Thru	Right	Peds	App. Total	
06:00 AM	0	7	3	0	10	2	0	0	0	2	2	2	0	0	4	0	0	3	0	3	19
06:15 AM	0	8	11	0	19	2	0	0	0	2	1	12	0	0	13	1	0	2	0	3	37
06:30 AM	3	25	14	0	42	1	1	0	0	2	2	10	0	0	12	4	0	0	0	4	60
06:45 AM	1	27	10	0	38	4	0	1	0	5	5	13	0	0	18	0	2	5	1	8	69
<b>Total</b>	<b>4</b>	<b>67</b>	<b>38</b>	<b>0</b>	<b>109</b>	<b>9</b>	<b>1</b>	<b>1</b>	<b>0</b>	<b>11</b>	<b>10</b>	<b>37</b>	<b>0</b>	<b>0</b>	<b>47</b>	<b>5</b>	<b>2</b>	<b>10</b>	<b>1</b>	<b>18</b>	<b>185</b>
07:00 AM	3	36	14	0	53	7	0	1	0	8	5	13	2	0	20	9	0	7	0	16	97
07:15 AM	2	37	14	0	53	5	2	1	1	9	7	12	3	0	22	8	2	15	0	25	109
07:30 AM	3	57	20	0	80	11	1	3	0	15	9	20	3	0	32	6	4	15	0	25	152
07:45 AM	3	58	30	1	92	8	1	1	1	11	18	27	0	0	45	20	7	27	0	54	202
<b>Total</b>	<b>11</b>	<b>188</b>	<b>78</b>	<b>1</b>	<b>278</b>	<b>31</b>	<b>4</b>	<b>6</b>	<b>2</b>	<b>43</b>	<b>39</b>	<b>72</b>	<b>8</b>	<b>0</b>	<b>119</b>	<b>43</b>	<b>13</b>	<b>64</b>	<b>0</b>	<b>120</b>	<b>560</b>
08:00 AM	7	87	16	1	111	11	4	3	0	18	9	36	5	0	50	26	5	20	0	51	230
08:15 AM	2	86	23	1	112	12	0	0	0	12	8	28	2	0	38	17	2	11	0	30	192
08:30 AM	5	70	15	1	91	5	1	0	0	6	10	26	5	0	41	6	1	3	0	10	148
08:45 AM	1	43	24	3	71	6	1	3	2	12	7	26	3	0	36	13	2	15	1	31	150
<b>Total</b>	<b>15</b>	<b>286</b>	<b>78</b>	<b>6</b>	<b>385</b>	<b>34</b>	<b>6</b>	<b>6</b>	<b>2</b>	<b>48</b>	<b>34</b>	<b>116</b>	<b>15</b>	<b>0</b>	<b>165</b>	<b>62</b>	<b>10</b>	<b>49</b>	<b>1</b>	<b>122</b>	<b>720</b>
09:00 AM	4	36	13	1	54	3	4	3	0	10	6	31	4	0	41	15	3	5	0	23	128
09:15 AM	7	65	24	1	97	6	0	7	0	13	8	29	3	0	40	18	1	8	0	27	177
*** BREAK ***																					
<b>Total</b>	<b>11</b>	<b>101</b>	<b>37</b>	<b>2</b>	<b>151</b>	<b>9</b>	<b>4</b>	<b>10</b>	<b>0</b>	<b>23</b>	<b>14</b>	<b>60</b>	<b>7</b>	<b>0</b>	<b>81</b>	<b>33</b>	<b>4</b>	<b>13</b>	<b>0</b>	<b>50</b>	<b>305</b>
*** BREAK ***																					
10:30 AM	5	32	11	1	49	6	1	1	1	9	7	26	6	0	39	7	2	14	0	23	120
10:45 AM	1	33	13	0	47	4	2	2	0	8	9	36	2	0	47	20	2	19	0	41	143
<b>Total</b>	<b>6</b>	<b>65</b>	<b>24</b>	<b>1</b>	<b>96</b>	<b>10</b>	<b>3</b>	<b>3</b>	<b>1</b>	<b>17</b>	<b>16</b>	<b>62</b>	<b>8</b>	<b>0</b>	<b>86</b>	<b>27</b>	<b>4</b>	<b>33</b>	<b>0</b>	<b>64</b>	<b>263</b>
11:00 AM	3	42	13	0	58	2	2	0	0	4	8	30	5	1	44	11	2	11	0	24	130
11:15 AM	2	23	18	0	43	5	3	4	0	12	8	33	4	0	45	17	3	18	0	38	138
11:30 AM	6	33	14	0	53	11	3	0	0	14	9	42	2	0	53	19	4	17	0	40	160
11:45 AM	4	48	18	0	70	11	4	5	0	20	7	30	3	0	40	9	4	20	0	33	163
<b>Total</b>	<b>15</b>	<b>146</b>	<b>63</b>	<b>0</b>	<b>224</b>	<b>29</b>	<b>12</b>	<b>9</b>	<b>0</b>	<b>50</b>	<b>32</b>	<b>135</b>	<b>14</b>	<b>1</b>	<b>182</b>	<b>56</b>	<b>13</b>	<b>66</b>	<b>0</b>	<b>135</b>	<b>591</b>
12:00 PM	5	44	11	1	61	8	3	1	0	12	16	34	5	0	55	12	2	16	0	30	158
12:15 PM	2	24	20	0	46	12	5	0	0	17	12	42	2	0	56	25	3	19	1	48	167
12:30 PM	4	38	20	2	64	9	0	0	0	9	9	41	6	0	56	9	2	14	0	25	154
12:45 PM	1	28	14	1	44	5	1	2	2	10	8	23	4	0	35	18	3	21	0	42	131
<b>Total</b>	<b>12</b>	<b>134</b>	<b>65</b>	<b>4</b>	<b>215</b>	<b>34</b>	<b>9</b>	<b>3</b>	<b>2</b>	<b>48</b>	<b>45</b>	<b>140</b>	<b>17</b>	<b>0</b>	<b>202</b>	<b>64</b>	<b>10</b>	<b>70</b>	<b>1</b>	<b>145</b>	<b>610</b>
*** BREAK ***																					
02:30 PM	0	31	13	0	44	5	4	4	0	13	18	35	6	0	59	34	0	23	0	57	173
02:45 PM	3	40	21	1	65	6	1	1	0	8	10	42	7	0	59	32	6	15	1	54	186
<b>Total</b>	<b>3</b>	<b>71</b>	<b>34</b>	<b>1</b>	<b>109</b>	<b>11</b>	<b>5</b>	<b>5</b>	<b>0</b>	<b>21</b>	<b>28</b>	<b>77</b>	<b>13</b>	<b>0</b>	<b>118</b>	<b>66</b>	<b>6</b>	<b>38</b>	<b>1</b>	<b>111</b>	<b>359</b>
03:00 PM	2	40	9	0	51	5	3	3	0	11	7	43	7	1	58	50	2	22	0	74	194
03:15 PM	2	54	12	0	68	5	2	3	0	10	12	51	8	0	71	24	5	10	0	39	188
03:30 PM	0	71	6	0	77	5	4	2	0	11	14	57	8	0	79	25	4	18	0	47	214
03:45 PM	4	41	15	0	60	6	3	3	0	12	15	49	4	0	68	34	0	17	0	51	191
<b>Total</b>	<b>8</b>	<b>206</b>	<b>42</b>	<b>0</b>	<b>256</b>	<b>21</b>	<b>12</b>	<b>11</b>	<b>0</b>	<b>44</b>	<b>48</b>	<b>200</b>	<b>27</b>	<b>1</b>	<b>276</b>	<b>133</b>	<b>11</b>	<b>67</b>	<b>0</b>	<b>211</b>	<b>787</b>
04:00 PM	3	60	24	0	87	8	6	7	0	21	13	67	16	0	96	44	5	23	0	72	276
04:15 PM	5	59	18	0	82	9	2	2	0	13	14	70	12	0	96	40	5	14	0	59	250
04:30 PM	3	48	28	0	79	2	0	8	1	11	17	75	7	0	99	49	3	12	0	64	253

# ALLIANT ENGINEERING, INC.

733 S Marquette Ave #700, Minneapolis, MN 55402

Xenia Ave & Laurel Ave  
 City: Golden Valley  
 data by: Alliant Engineering, Inc.  
 TURN MOVEMENT COUNT

File Name : Xenia Ave & Laurel Ave\_2021  
 Site Code : 2126778  
 Start Date : 10/27/2021  
 Page No : 2

Groups Printed- Cars - Trucks

Start Time	Xenia Ave Southbound					Laurel Ave Westbound					Xenia Ave Northbound					Laurel Ave Eastbound					Int. Total
	Left	Thru	Right	Peds	App. Total	Left	Thru	Right	Peds	App. Total	Left	Thru	Right	Peds	App. Total	Left	Thru	Right	Peds	App. Total	
04:45 PM	1	80	24	0	105	8	0	3	1	12	21	86	6	0	113	39	6	23	0	68	298
Total	12	247	94	0	353	27	8	20	2	57	65	298	41	0	404	172	19	72	0	263	1077
05:00 PM	2	80	24	1	107	7	4	4	0	15	19	95	10	0	124	39	6	18	0	63	309
05:15 PM	4	63	24	0	91	10	1	2	0	13	14	90	3	0	107	28	5	17	0	50	261
05:30 PM	5	53	9	0	67	4	4	1	0	9	9	63	6	0	78	32	1	17	0	50	204
05:45 PM	3	52	11	0	66	8	3	0	0	11	9	54	2	0	65	23	2	22	0	47	189
Total	14	248	68	1	331	29	12	7	0	48	51	302	21	0	374	122	14	74	0	210	963
06:00 PM	4	28	11	1	44	5	1	1	0	7	12	46	13	0	71	25	1	16	0	42	164
06:15 PM	3	32	9	1	45	5	4	4	0	13	8	46	8	0	62	9	1	12	0	22	142
Grand Total	118	1819	641	18	2596	254	81	86	9	430	402	1591	192	2	2187	817	108	584	4	1513	6726
Apprch %	4.5	70.1	24.7	0.7		59.1	18.8	20	2.1		18.4	72.7	8.8	0.1		54	7.1	38.6	0.3		
Total %	1.8	27	9.5	0.3	38.6	3.8	1.2	1.3	0.1	6.4	6	23.7	2.9	0	32.5	12.1	1.6	8.7	0.1	22.5	
Cars	114	1778	626	17	2535	248	76	83	9	416	391	1562	189	1	2143	800	106	566	4	1476	6570
% Cars	96.6	97.7	97.7	94.4	97.7	97.6	93.8	96.5	100	96.7	97.3	98.2	98.4	50	98	97.9	98.1	96.9	100	97.6	97.7
Trucks	4	41	15	1	61	6	5	3	0	14	11	29	3	1	44	17	2	18	0	37	156
% Trucks	3.4	2.3	2.3	5.6	2.3	2.4	6.2	3.5	0	3.3	2.7	1.8	1.6	50	2	2.1	1.9	3.1	0	2.4	2.3

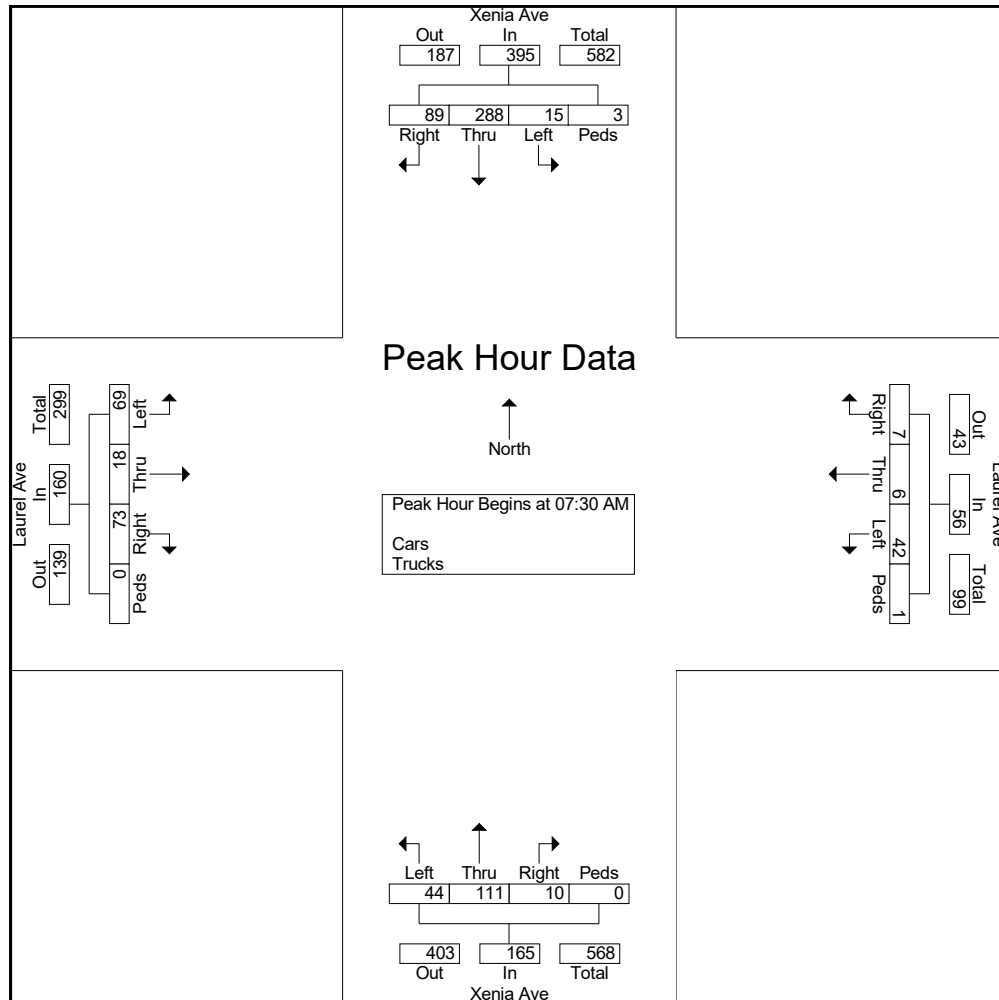
# ALLIANT ENGINEERING, INC.

733 S Marquette Ave #700, Minneapolis, MN 55402

Xenia Ave & Laurel Ave  
 City: Golden Valley  
 data by: Alliant Engineering, Inc.  
 TURN MOVEMENT COUNT

File Name : Xenia Ave & Laurel Ave\_2021  
 Site Code : 2126778  
 Start Date : 10/27/2021  
 Page No : 3

Start Time	Xenia Ave Southbound					Laurel Ave Westbound					Xenia Ave Northbound					Laurel Ave Eastbound					Int. Total
	Left	Thru	Right	Peds	App. Total	Left	Thru	Right	Peds	App. Total	Left	Thru	Right	Peds	App. Total	Left	Thru	Right	Peds	App. Total	
Peak Hour Analysis From 06:00 AM to 09:45 AM - Peak 1 of 1																					
Peak Hour for Entire Intersection Begins at 07:30 AM																					
07:30 AM	3	57	20	0	80	11	1	3	0	15	9	20	3	0	32	6	4	15	0	25	152
07:45 AM	3	58	30	1	92	8	1	1	1	11	18	27	0	0	45	20	7	27	0	54	202
08:00 AM	7	87	16	1	111	11	4	3	0	18	9	36	5	0	50	26	5	20	0	51	230
08:15 AM	2	86	23	1	112	12	0	0	0	12	8	28	2	0	38	17	2	11	0	30	192
Total Volume	15	288	89	3	395	42	6	7	1	56	44	111	10	0	165	69	18	73	0	160	776
% App. Total	3.8	72.9	22.5	0.8		75	10.7	12.5	1.8		26.7	67.3	6.1	0		43.1	11.2	45.6	0		
PHF	.536	.828	.742	.750	.882	.875	.375	.583	.250	.778	.611	.771	.500	.000	.825	.663	.643	.676	.000	.741	.843



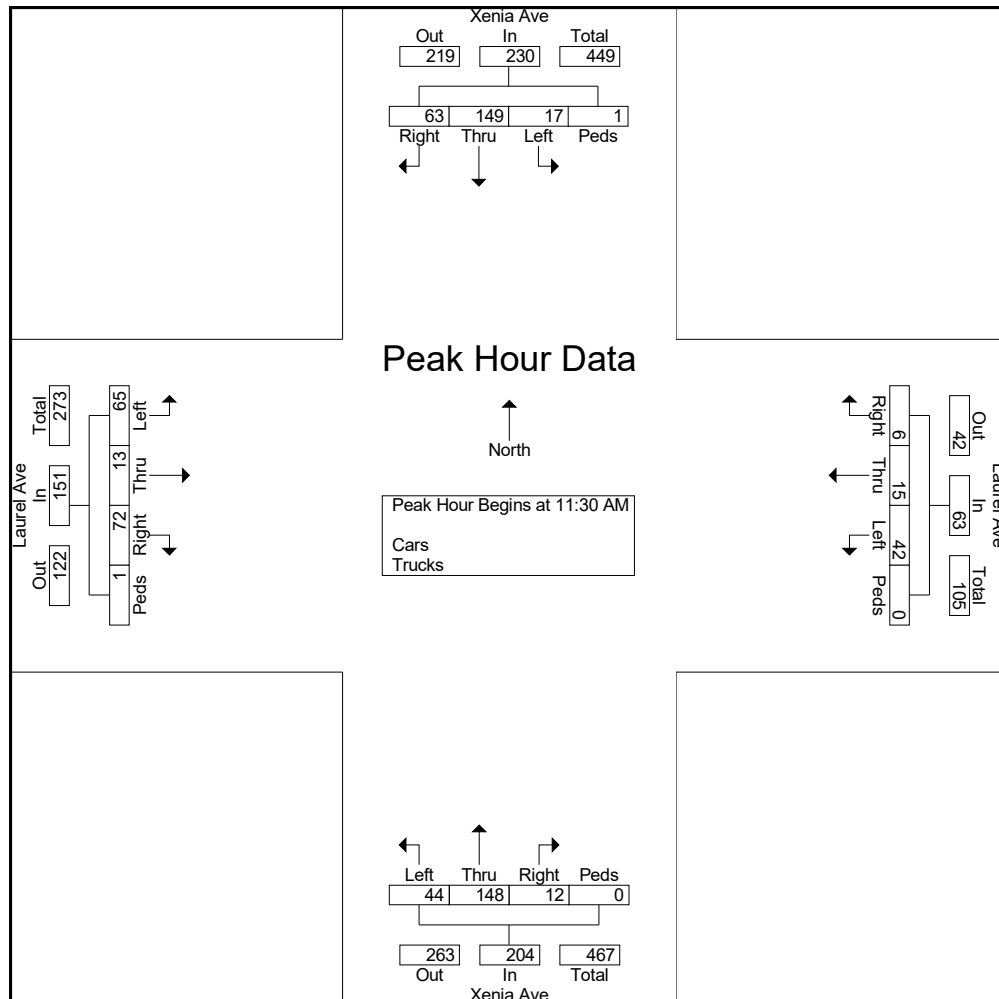
# ALLIANT ENGINEERING, INC.

733 S Marquette Ave #700, Minneapolis, MN 55402

Xenia Ave & Laurel Ave  
 City: Golden Valley  
 data by: Alliant Engineering, Inc.  
 TURN MOVEMENT COUNT

File Name : Xenia Ave & Laurel Ave\_2021  
 Site Code : 2126778  
 Start Date : 10/27/2021  
 Page No : 4

Start Time	Xenia Ave Southbound					Laurel Ave Westbound					Xenia Ave Northbound					Laurel Ave Eastbound					Int. Total
	Left	Thru	Right	Peds	App. Total	Left	Thru	Right	Peds	App. Total	Left	Thru	Right	Peds	App. Total	Left	Thru	Right	Peds	App. Total	
Peak Hour Analysis From 10:00 AM to 01:45 PM - Peak 1 of 1																					
Peak Hour for Entire Intersection Begins at 11:30 AM																					
11:30 AM	6	33	14	0	53	11	3	0	0	14	9	42	2	0	53	19	4	17	0	40	160
11:45 AM	4	48	18	0	70	11	4	5	0	20	7	30	3	0	40	9	4	20	0	33	163
12:00 PM	5	44	11	1	61	8	3	1	0	12	16	34	5	0	55	12	2	16	0	30	158
12:15 PM	2	24	20	0	46	12	5	0	0	17	12	42	2	0	56	25	3	19	1	48	167
Total Volume	17	149	63	1	230	42	15	6	0	63	44	148	12	0	204	65	13	72	1	151	648
% App. Total	7.4	64.8	27.4	0.4		66.7	23.8	9.5	0		21.6	72.5	5.9	0		43	8.6	47.7	0.7		
PHF	.708	.776	.788	.250	.821	.875	.750	.300	.000	.788	.688	.881	.600	.000	.911	.650	.813	.900	.250	.786	.970



# ALLIANT ENGINEERING, INC.

733 S Marquette Ave #700, Minneapolis, MN 55402

Xenia Ave & Laurel Ave  
 City: Golden Valley  
 data by: Alliant Engineering, Inc.  
 TURN MOVEMENT COUNT

File Name : Xenia Ave & Laurel Ave\_2021  
 Site Code : 2126778  
 Start Date : 10/27/2021  
 Page No : 5

Start Time	Xenia Ave Southbound					Laurel Ave Westbound					Xenia Ave Northbound					Laurel Ave Eastbound					Int. Total
	Left	Thru	Right	Peds	App. Total	Left	Thru	Right	Peds	App. Total	Left	Thru	Right	Peds	App. Total	Left	Thru	Right	Peds	App. Total	
Peak Hour Analysis From 02:00 PM to 06:15 PM - Peak 1 of 1																					
Peak Hour for Entire Intersection Begins at 04:30 PM																					
04:30 PM	3	48	28	0	79	2	0	8	1	11	17	75	7	0	99	49	3	12	0	64	253
04:45 PM	1	80	24	0	105	8	0	3	1	12	21	86	6	0	113	39	6	23	0	68	298
05:00 PM	2	80	24	1	107	7	4	4	0	15	19	95	10	0	124	39	6	18	0	63	309
05:15 PM	4	63	24	0	91	10	1	2	0	13	14	90	3	0	107	28	5	17	0	50	261
Total Volume	10	271	100	1	382	27	5	17	2	51	71	346	26	0	443	155	20	70	0	245	1121
% App. Total	2.6	70.9	26.2	0.3		52.9	9.8	33.3	3.9		16	78.1	5.9	0		63.3	8.2	28.6	0		
PHF	.625	.847	.893	.250	.893	.675	.313	.531	.500	.850	.845	.911	.650	.000	.893	.791	.833	.761	.000	.901	.907

