

Short Elliott Hendrickson Inc.

3535 Vadnais Center Drive
St. Paul, MN 55110

"Building a Better World for All of Us"



TRAFFIC DATA

I-94 & TH 95 (Manning Ave) N Ramp

Ref.Pt.: 254.280

Data By: Short Elliott Hendrickson, Inc.

TURN MOVEMENT COUNT

File Name : I-94 & TH 95 (Manning Ave) N Ramp 2019

Site Code : 7a

Start Date : 4/30/2019

Page No : 1

Groups Printed- Vehicles - Trucks

Start Time	TH 95 (Manning Ave) Southbound					Westbound					TH 95 (Manning Ave) Northbound					I-94 Westbound Ramp Eastbound					Int. Total
	Left	Thru	Right	Peds	App. Total	Left	Thru	Right	Peds	App. Total	Left	Thru	Right	Peds	App. Total	Left	Thru	Right	Peds	App. Total	
06:00	0	26	55	0	81	26	0	7	0	33	64	52	0	0	116	0	0	0	0	0	230
06:15	0	48	82	0	130	41	0	24	0	65	49	70	0	0	119	0	0	0	0	0	314
06:30	0	55	98	0	153	68	1	22	0	91	63	91	0	0	154	0	0	0	0	0	398
06:45	0	52	108	0	160	60	0	52	0	112	82	141	0	0	223	0	0	0	0	0	495
Total	0	181	343	0	524	195	1	105	0	301	258	354	0	0	612	0	0	0	0	0	1437
07:00	0	54	82	0	136	67	0	41	0	108	84	128	0	0	212	0	0	0	0	0	456
07:15	0	82	95	0	177	94	0	52	0	146	68	182	0	0	250	0	0	0	0	0	573
07:30	0	93	111	0	204	97	0	45	0	142	61	180	0	0	241	0	0	0	0	0	587
07:45	0	118	91	0	209	61	1	38	0	100	70	148	0	0	218	0	0	0	0	0	527
Total	0	347	379	0	726	319	1	176	0	496	283	638	0	0	921	0	0	0	0	0	2143
08:00	0	62	72	0	134	30	0	31	0	61	50	99	0	0	149	0	0	0	0	0	344
08:15	0	59	76	0	135	39	0	34	0	73	55	106	0	0	161	0	0	0	0	0	369
08:30	0	74	77	0	151	35	0	27	0	62	65	102	0	0	167	0	0	0	0	0	380
08:45	0	59	77	0	136	39	0	21	0	60	41	83	0	0	124	0	0	0	0	0	320
Total	0	254	302	0	556	143	0	113	0	256	211	390	0	0	601	0	0	0	0	0	1413
09:00	0	64	86	0	150	30	0	18	0	48	45	92	0	0	137	0	0	0	0	0	335
09:15	0	53	93	0	146	25	0	21	0	46	36	76	0	0	112	0	0	0	0	0	304
09:30	0	64	80	0	144	30	1	12	0	43	31	74	0	0	105	0	0	0	0	0	292
09:45	0	52	85	0	137	30	0	15	0	45	29	63	0	0	92	0	0	0	0	0	274
Total	0	233	344	0	577	115	1	66	0	182	141	305	0	0	446	0	0	0	0	0	1205
10:00	0	50	52	0	102	22	1	14	0	37	32	57	0	0	89	0	0	0	0	0	228
10:15	0	41	50	0	91	22	0	19	0	41	35	56	0	0	91	0	0	0	0	0	223
10:30	0	49	72	0	121	23	0	11	0	34	28	91	0	0	119	0	0	0	0	0	274
10:45	0	53	63	0	116	30	0	19	0	49	39	59	0	0	98	0	0	0	0	0	263
Total	0	193	237	0	430	97	1	63	0	161	134	263	0	0	397	0	0	0	0	0	988
11:00	0	37	66	0	103	21	0	13	0	34	25	99	0	0	124	0	0	0	0	0	261
11:15	0	56	49	0	105	26	0	12	0	38	32	88	0	0	120	0	0	0	0	0	263
11:30	0	68	59	0	127	34	0	6	0	40	22	97	0	0	119	0	0	0	0	0	286
11:45	0	59	55	0	114	15	0	11	0	26	21	86	0	0	107	0	0	0	0	0	247
Total	0	220	229	0	449	96	0	42	0	138	100	370	0	0	470	0	0	0	0	0	1057
12:00	0	57	42	0	99	18	0	15	0	33	32	90	0	0	122	0	0	0	0	0	254
12:15	0	57	59	0	116	33	0	18	0	51	21	82	0	0	103	0	0	0	0	0	270
12:30	0	54	57	0	111	16	0	11	0	27	30	86	0	0	116	0	0	0	0	0	254
12:45	0	56	67	0	123	20	0	13	0	33	27	99	0	0	126	0	0	0	0	0	282
Total	0	224	225	0	449	87	0	57	0	144	110	357	0	0	467	0	0	0	0	0	1060
13:00	0	51	49	0	100	32	0	15	0	47	16	89	0	0	105	0	0	0	0	0	252
13:15	0	56	59	0	115	24	0	18	0	42	32	89	0	0	121	0	0	0	0	0	278
13:30	0	63	71	0	134	21	0	26	0	47	26	91	0	0	117	0	0	0	0	0	298
13:45	0	69	37	0	106	22	0	22	0	44	22	84	0	0	106	0	0	0	0	0	256
Total	0	239	216	0	455	99	0	81	0	180	96	353	0	0	449	0	0	0	0	0	1084

Short Elliott Hendrickson Inc.

3535 Vadnais Center Drive
St. Paul, MN 55110

"Building a Better World for All of Us"



TRAFFIC DATA

I-94 & TH 95 (Manning Ave) N Ramp

Ref.Pt.: 254.280

Data By: Short Elliott Hendrickson, Inc.

TURN MOVEMENT COUNT

File Name : I-94 & TH 95 (Manning Ave) N Ramp 2019

Site Code : 7a

Start Date : 4/30/2019

Page No : 2

Groups Printed- Vehicles - Trucks

Start Time	TH 95 (Manning Ave) Southbound					Westbound					TH 95 (Manning Ave) Northbound					I-94 Westbound Ramp Eastbound					Int. Total
	Left	Thru	Right	Peds	App. Total	Left	Thru	Right	Peds	App. Total	Left	Thru	Right	Peds	App. Total	Left	Thru	Right	Peds	App. Total	
14:00	0	69	55	0	124	32	0	18	0	50	20	103	0	0	123	0	0	0	0	0	297
14:15	0	98	61	0	159	36	1	20	0	57	27	110	0	0	137	0	0	0	0	0	353
14:30	0	109	82	0	191	37	0	16	0	53	42	116	0	0	158	0	0	0	1	1	403
14:45	0	105	53	0	158	37	0	16	0	53	31	93	0	0	124	0	0	0	0	0	335
Total	0	381	251	0	632	142	1	70	0	213	120	422	0	0	542	0	0	0	1	1	1388
15:00	0	94	54	0	148	42	0	20	0	62	24	125	0	0	149	0	0	0	0	0	359
15:15	0	97	60	0	157	28	1	13	0	42	29	138	0	0	167	0	0	0	0	0	366
15:30	0	108	81	0	189	53	2	18	0	73	42	162	0	0	204	0	0	0	0	0	466
15:45	0	98	77	0	175	39	0	15	0	54	29	158	0	0	187	0	0	0	0	0	416
Total	0	397	272	0	669	162	3	66	0	231	124	583	0	0	707	0	0	0	0	0	1607
16:00	0	108	72	0	180	42	0	20	0	62	40	188	0	0	228	0	0	0	0	0	470
16:15	0	137	70	0	207	57	1	17	0	75	25	165	0	0	190	0	0	0	0	0	472
16:30	0	104	46	0	150	63	0	18	0	81	33	181	0	0	214	0	0	0	0	0	445
16:45	0	128	65	0	193	36	0	21	0	57	28	202	0	0	230	0	0	0	0	0	480
Total	0	477	253	0	730	198	1	76	0	275	126	736	0	0	862	0	0	0	0	0	1867
17:00	0	152	67	0	219	49	0	25	0	74	22	180	0	0	202	0	0	0	0	0	495
17:15	0	133	69	0	202	64	0	23	0	87	24	160	0	0	184	0	0	0	0	0	473
17:30	0	119	67	0	186	41	0	13	0	54	26	186	0	0	212	0	0	0	0	0	452
17:45	0	108	57	0	165	40	0	12	0	52	20	154	0	0	174	0	0	0	0	0	391
Total	0	512	260	0	772	194	0	73	0	267	92	680	0	0	772	0	0	0	0	0	1811
18:00	0	85	51	0	136	26	0	20	0	46	32	153	0	0	185	0	0	0	0	0	367
18:15	0	79	67	0	146	26	0	19	0	45	23	151	0	0	174	0	0	0	0	0	365
18:30	0	77	43	0	120	26	0	19	0	45	22	156	0	0	178	0	0	0	0	0	343
18:45	0	65	37	0	102	28	0	15	0	43	17	124	0	0	141	0	0	0	0	0	286
Total	0	306	198	0	504	106	0	73	0	179	94	584	0	0	678	0	0	0	0	0	1361
Grand Total	0	3964	3509	0	7473	1953	9	1061	0	3023	1889	6035	0	0	7924	0	0	0	1	1	18421
Apprch %	0	53	47	0		64.6	0.3	35.1	0		23.8	76.2	0	0		0	0	0	100		
Total %	0	21.5	19	0	40.6	10.6	0	5.8	0	16.4	10.3	32.8	0	0	43	0	0	0	0	0	
Vehicles	0	3832	3409			1860		1031			1760	5873									17772
% Vehicles	0	96.7	97.2	0	96.9	95.2	77.8	97.2	0	95.9	93.2	97.3	0	0	96.3	0	0	0	0	0	96.5
Trucks	0	132	100	0	232	93	2	30	0	125	129	162	0	0	291	0	0	0	1	1	649
% Trucks	0	3.3	2.8	0	3.1	4.8	22.2	2.8	0	4.1	6.8	2.7	0	0	3.7	0	0	0	100	100	3.5

Short Elliott Hendrickson Inc.

3535 Vadnais Center Drive
St. Paul, MN 55110

"Building a Better World for All of Us"



TRAFFIC DATA

I-94 & TH 95 (Manning Ave) N Ramp

Ref.Pt.: 254.280

Data By: Short Elliott Hendrickson, Inc.

TURN MOVEMENT COUNT

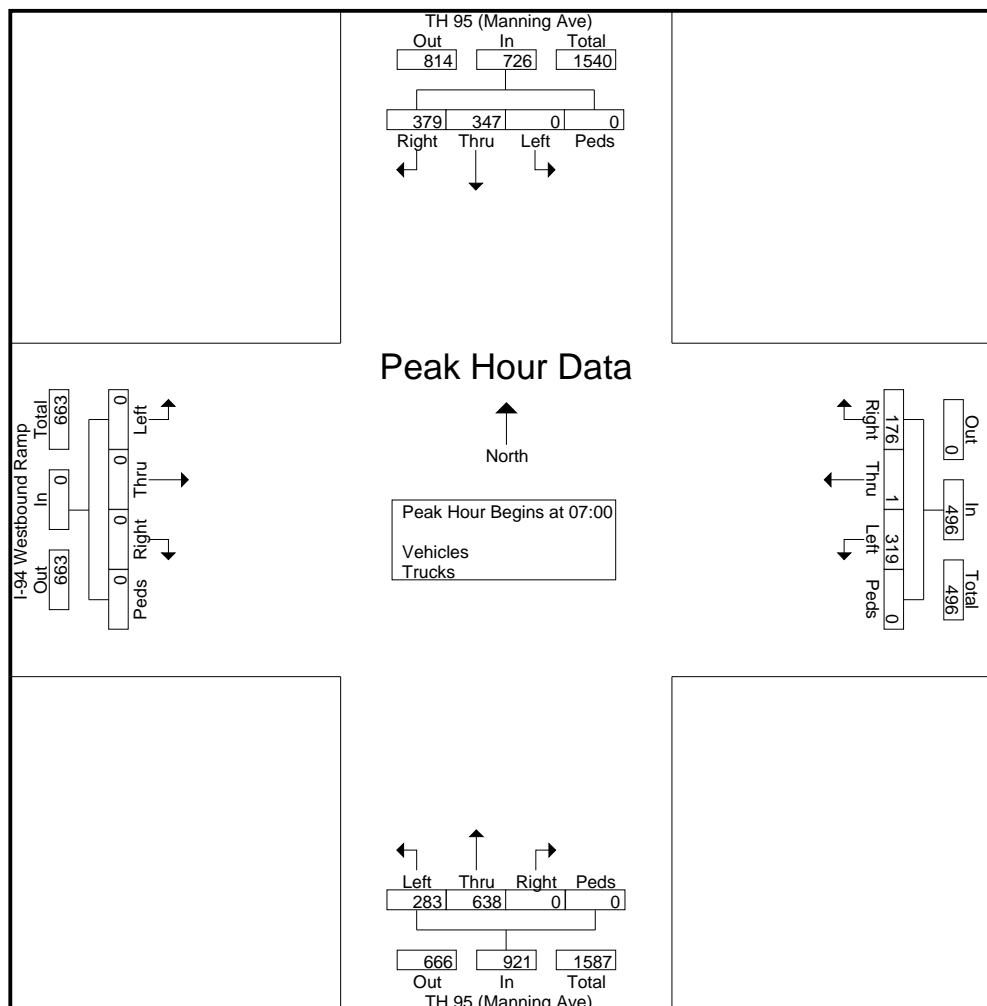
File Name : I-94 & TH 95 (Manning Ave) N Ramp 2019

Site Code : 7a

Start Date : 4/30/2019

Page No : 3

Start Time	TH 95 (Manning Ave) Southbound					Westbound					TH 95 (Manning Ave) Northbound					I-94 Westbound Ramp Eastbound					Int. Total
	Left	Thru	Right	Peds	App. Total	Left	Thru	Right	Peds	App. Total	Left	Thru	Right	Peds	App. Total	Left	Thru	Right	Peds	App. Total	
Peak Hour Analysis From 06:00 to 08:45 - Peak 1 of 1																					
Peak Hour for Entire Intersection Begins at 07:00																					
07:00	0	54	82	0	136	67	0	41	0	108	84	128	0	0	212	0	0	0	0	0	456
07:15	0	82	95	0	177	94	0	52	0	146	68	182	0	0	250	0	0	0	0	0	573
07:30	0	93	111	0	204	97	0	45	0	142	61	180	0	0	241	0	0	0	0	0	587
07:45	0	118	91	0	209	61	1	38	0	100	70	148	0	0	218	0	0	0	0	0	527
Total Volume	0	347	379	0	726	319	1	176	0	496	283	638	0	0	921	0	0	0	0	0	2143
% App. Total	0	47.8	52.2	0		64.3	0.2	35.5	0		30.7	69.3	0	0		0	0	0	0		
PHF	.000	.735	.854	.000	.868	.822	.250	.846	.000	.849	.842	.876	.000	.000	.921	.000	.000	.000	.000	.000	.913



Short Elliott Hendrickson Inc.

3535 Vadnais Center Drive
St. Paul, MN 55110

"Building a Better World for All of Us"



TRAFFIC DATA

I-94 & TH 95 (Manning Ave) N Ramp

Ref.Pt.: 254.280

Data By: Short Elliott Hendrickson, Inc.

TURN MOVEMENT COUNT

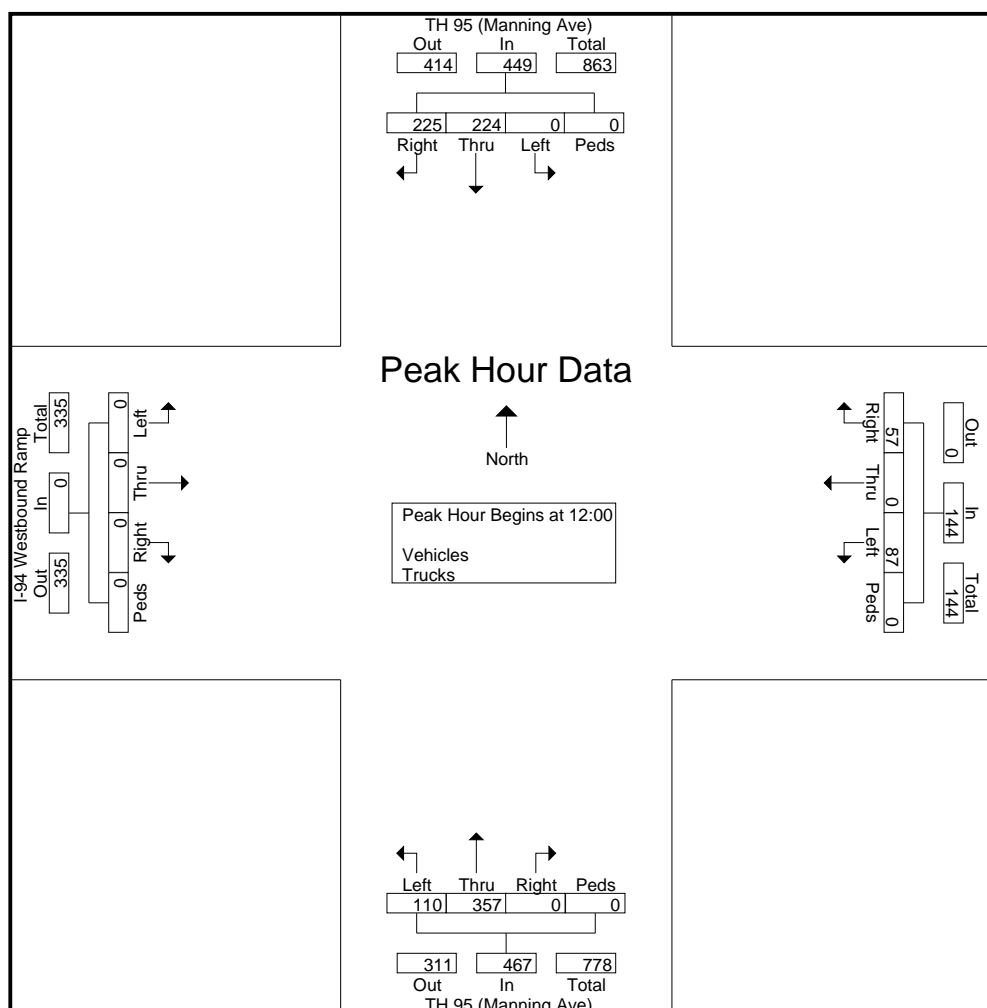
File Name : I-94 & TH 95 (Manning Ave) N Ramp 2019

Site Code : 7a

Start Date : 4/30/2019

Page No : 4

Start Time	TH 95 (Manning Ave) Southbound					Westbound					TH 95 (Manning Ave) Northbound					I-94 Westbound Ramp Eastbound					Int. Total
	Left	Thru	Right	Peds	App. Total	Left	Thru	Right	Peds	App. Total	Left	Thru	Right	Peds	App. Total	Left	Thru	Right	Peds	App. Total	
Peak Hour Analysis From 11:00 to 12:45 - Peak 1 of 1 Peak Hour for Entire Intersection Begins at 12:00																					
12:00	0	57	42	0	99	18	0	15	0	33	32	90	0	0	122	0	0	0	0	0	254
12:15	0	57	59	0	116	33	0	18	0	51	21	82	0	0	103	0	0	0	0	0	270
12:30	0	54	57	0	111	16	0	11	0	27	30	86	0	0	116	0	0	0	0	0	254
12:45	0	56	67	0	123	20	0	13	0	33	27	99	0	0	126	0	0	0	0	0	282
Total Volume	0	224	225	0	449	87	0	57	0	144	110	357	0	0	467	0	0	0	0	0	1060
% App. Total	0	49.9	50.1	0		60.4	0	39.6	0		23.6	76.4	0	0		0	0	0	0		
PHF	.000	.982	.840	.000	.913	.659	.000	.792	.000	.706	.859	.902	.000	.000	.927	.000	.000	.000	.000	.000	.940



Short Elliott Hendrickson Inc.

3535 Vadnais Center Drive
St. Paul, MN 55110

"Building a Better World for All of Us"



TRAFFIC DATA

I-94 & TH 95 (Manning Ave) N Ramp

Ref.Pt.: 254.280

Data By: Short Elliott Hendrickson, Inc.

TURN MOVEMENT COUNT

File Name : I-94 & TH 95 (Manning Ave) N Ramp 2019

Site Code : 7a

Start Date : 4/30/2019

Page No : 5

Start Time	TH 95 (Manning Ave) Southbound					Westbound					TH 95 (Manning Ave) Northbound					I-94 Westbound Ramp Eastbound					Int. Total
	Left	Thru	Right	Peds	App. Total	Left	Thru	Right	Peds	App. Total	Left	Thru	Right	Peds	App. Total	Left	Thru	Right	Peds	App. Total	
Peak Hour Analysis From 15:00 to 17:45 - Peak 1 of 1																					
Peak Hour for Entire Intersection Begins at 16:45																					
16:45	0	128	65	0	193	36	0	21	0	57	28	202	0	0	230	0	0	0	0	0	480
17:00	0	152	67	0	219	49	0	25	0	74	22	180	0	0	202	0	0	0	0	0	495
17:15	0	133	69	0	202	64	0	23	0	87	24	160	0	0	184	0	0	0	0	0	473
17:30	0	119	67	0	186	41	0	13	0	54	26	186	0	0	212	0	0	0	0	0	452
Total Volume	0	532	268	0	800	190	0	82	0	272	100	728	0	0	828	0	0	0	0	0	1900
% App. Total	0	66.5	33.5	0		69.9	0	30.1	0		12.1	87.9	0	0		0	0	0	0		
PHF	.000	.875	.971	.000	.913	.742	.000	.820	.000	.782	.893	.901	.000	.000	.900	.000	.000	.000	.000	.000	.960

