

# Short Elliott Hendrickson Inc.

3535 Vadnais Center Drive  
St. Paul, MN 55110

"Building a Better World for All of Us"



## TRAFFIC DATA

I-94 & TH 95 (St Croix Trail) S Ramp

Ref.Pt.: 258.815

Data By: Short Elliott Hendrickson, Inc.

TURN MOVEMENT COUNT

File Name : I-94 & TH 95 (St Croix Trail) S Ramp 2019

Site Code : 8b

Start Date : 4/30/2019

Page No : 1

### Groups Printed- Vehicles - Trucks

Start Time	TH 95 (St Croix Trail) Southbound					Westbound					TH 95 (St Croix Trail) Northbound					I-94 Eastbound Ramp Eastbound					Int. Total
	Left	Thru	Right	Peds	App. Total	Left	Thru	Right	Peds	App. Total	Left	Thru	Right	Peds	App. Total	Left	Thru	Right	Peds	App. Total	
06:00	20	12	0	0	32	0	0	0	0	0	0	62	13	0	75	38	0	1	0	39	146
06:15	31	16	0	0	47	0	0	0	0	0	0	65	17	0	82	26	0	2	0	28	157
06:30	46	27	0	0	73	0	0	0	0	0	0	76	29	0	105	42	0	7	0	49	227
06:45	77	34	0	0	111	0	0	0	0	0	0	83	23	0	106	46	0	8	0	54	271
Total	174	89	0	0	263	0	0	0	0	0	0	286	82	0	368	152	0	18	0	170	801
07:00	44	19	0	0	63	0	0	0	0	0	0	104	33	0	137	41	0	2	0	43	243
07:15	63	33	0	0	96	0	0	0	0	0	0	85	26	0	111	46	0	14	0	60	267
07:30	79	40	0	0	119	0	0	0	0	0	0	55	21	0	76	58	0	10	0	68	263
07:45	72	48	0	0	120	0	0	0	0	0	0	68	39	0	107	52	0	15	0	67	294
Total	258	140	0	0	398	0	0	0	0	0	0	312	119	0	431	197	0	41	0	238	1067
08:00	51	42	0	0	93	0	0	0	0	0	0	41	33	0	74	45	0	8	0	53	220
08:15	51	46	0	0	97	0	0	0	0	0	0	60	40	0	100	37	0	23	0	60	257
08:30	43	30	0	0	73	0	0	0	0	0	0	68	38	0	106	32	0	16	0	48	227
08:45	75	38	0	0	113	0	0	0	0	0	0	41	52	0	93	35	0	13	0	48	254
Total	220	156	0	0	376	0	0	0	0	0	0	210	163	0	373	149	0	60	0	209	958
09:00	59	48	0	0	107	0	0	0	0	0	0	48	36	0	84	30	0	10	0	40	231
09:15	62	65	0	0	127	0	0	0	0	0	0	48	36	0	84	26	1	13	0	40	251
09:30	48	58	0	0	106	0	0	0	0	0	0	37	38	0	75	26	0	21	0	47	228
09:45	43	40	0	0	83	0	0	0	0	0	0	27	41	0	68	29	0	17	0	46	197
Total	212	211	0	0	423	0	0	0	0	0	0	160	151	0	311	111	1	61	0	173	907
10:00	44	51	0	0	95	0	0	0	0	0	0	42	40	0	82	22	0	11	0	33	210
10:15	50	38	0	0	88	0	0	0	0	0	0	48	43	0	91	32	0	16	0	48	227
10:30	72	45	0	0	117	0	0	0	0	0	0	46	21	0	67	25	0	11	0	36	220
10:45	67	39	0	0	106	0	0	0	0	0	0	48	32	0	80	29	0	12	0	41	227
Total	233	173	0	0	406	0	0	0	0	0	0	184	136	0	320	108	0	50	0	158	884
11:00	51	60	0	0	111	0	0	0	0	0	0	41	37	0	78	22	0	16	0	38	227
11:15	58	33	0	0	91	0	0	0	0	0	0	42	44	0	86	28	0	18	0	46	223
11:30	58	49	0	0	107	0	0	0	0	0	0	40	48	0	88	30	0	19	0	49	244
11:45	55	43	0	0	98	0	0	0	0	0	0	29	41	0	70	32	0	22	0	54	222
Total	222	185	0	0	407	0	0	0	0	0	0	152	170	0	322	112	0	75	0	187	916
12:00	54	36	0	0	90	0	0	0	0	0	0	36	41	0	77	33	0	17	0	50	217
12:15	69	60	0	0	129	0	0	0	0	0	0	38	44	0	82	25	0	22	0	47	258
12:30	73	51	0	0	124	0	0	0	0	0	0	43	40	0	83	34	0	25	0	59	266
12:45	65	61	0	0	126	0	0	0	0	0	0	39	25	0	64	25	1	15	0	41	231
Total	261	208	0	0	469	0	0	0	0	0	0	156	150	0	306	117	1	79	0	197	972
13:00	67	67	0	0	134	0	0	0	0	0	0	40	31	0	71	22	0	25	0	47	252
13:15	38	54	0	0	92	0	0	0	0	0	0	36	30	1	67	35	1	16	0	52	211
13:30	63	61	0	0	124	0	0	0	0	0	0	43	43	0	86	38	0	27	0	65	275
13:45	71	59	0	0	130	0	0	0	0	0	0	32	38	0	70	40	0	24	0	64	264
Total	239	241	0	0	480	0	0	0	0	0	0	151	142	1	294	135	1	92	0	228	1002

# Short Elliott Hendrickson Inc.

3535 Vadnais Center Drive  
St. Paul, MN 55110

"Building a Better World for All of Us"



## TRAFFIC DATA

I-94 & TH 95 (St Croix Trail) S Ramp

Ref.Pt.: 258.815

Data By: Short Elliott Hendrickson, Inc.

TURN MOVEMENT COUNT

File Name : I-94 & TH 95 (St Croix Trail) S Ramp 2019

Site Code : 8b

Start Date : 4/30/2019

Page No : 2

Groups Printed- Vehicles - Trucks

Start Time	TH 95 (St Croix Trail) Southbound					Westbound					TH 95 (St Croix Trail) Northbound					I-94 Eastbound Ramp Eastbound					Int. Total
	Left	Thru	Right	Peds	App. Total	Left	Thru	Right	Peds	App. Total	Left	Thru	Right	Peds	App. Total	Left	Thru	Right	Peds	App. Total	
14:00	61	51	0	0	112	0	0	0	0	0	0	41	53	1	95	58	0	30	0	88	295
14:15	94	66	0	0	160	0	0	0	0	0	0	35	41	0	76	52	0	23	0	75	311
14:30	99	66	0	0	165	0	0	0	0	0	0	41	56	0	97	32	0	38	0	70	332
14:45	148	70	0	0	218	0	0	0	0	0	0	35	42	0	77	40	0	27	0	67	362
Total	402	253	0	0	655	0	0	0	0	0	0	152	192	1	345	182	0	118	0	300	1300
15:00	140	70	0	0	210	0	0	0	0	0	0	34	52	0	86	38	0	38	0	76	372
15:15	150	71	0	0	221	0	0	0	0	0	0	51	47	0	98	32	0	44	0	76	395
15:30	113	64	0	0	177	0	0	0	0	0	0	45	59	0	104	55	0	31	0	86	367
15:45	147	76	0	0	223	0	0	0	0	0	0	29	63	0	92	40	1	39	0	80	395
Total	550	281	0	0	831	0	0	0	0	0	0	159	221	0	380	165	1	152	0	318	1529
16:00	110	65	0	0	175	0	0	0	0	0	0	42	45	0	87	61	1	34	0	96	358
16:15	145	73	0	0	218	0	0	0	0	0	0	44	57	0	101	67	0	44	0	111	430
16:30	130	70	0	0	200	0	0	0	0	0	0	49	71	0	120	134	0	100	0	234	554
16:45	147	65	0	0	212	0	0	0	0	0	0	49	57	0	106	78	1	57	0	136	454
Total	532	273	0	0	805	0	0	0	0	0	0	184	230	0	414	340	2	235	0	577	1796
17:00	113	78	0	0	191	0	0	0	0	0	0	47	46	0	93	80	0	43	0	123	407
17:15	124	97	0	0	221	0	0	0	0	0	0	50	61	0	111	56	0	54	0	110	442
17:30	89	67	0	0	156	0	0	0	0	0	0	47	73	0	120	50	0	56	0	106	382
17:45	84	74	0	0	158	0	0	0	0	0	0	34	69	0	103	50	1	36	0	87	348
Total	410	316	0	0	726	0	0	0	0	0	0	178	249	0	427	236	1	189	0	426	1579
18:00	89	67	0	0	156	0	0	0	0	0	0	38	52	0	90	27	0	44	0	71	317
18:15	62	71	0	0	133	0	0	0	0	0	0	26	42	0	68	44	0	40	0	84	285
18:30	60	64	0	0	124	0	0	0	0	0	0	37	43	0	80	26	0	55	0	81	285
18:45	52	39	0	0	91	0	0	0	0	0	0	41	35	0	76	20	0	46	0	66	233
Total	263	241	0	0	504	0	0	0	0	0	0	142	172	0	314	117	0	185	0	302	1120
Grand Total	3976	2767	0	0	6743	0	0	0	0	0	0	2426	2177	2	4605	2121	7	1355	0	3483	14831
Apprch %	59	41	0	0		0	0	0	0	0	0	52.7	47.3	0		60.9	0.2	38.9	0		
Total %	26.8	18.7	0	0	45.5	0	0	0	0	0	0	16.4	14.7	0	31	14.3	0	9.1	0	23.5	
Vehicles	3747	2679	0	0	95.3	0	0	0	0	0	0	2359	2122			1889		1336			14137
% Vehicles	94.2	96.8	0	0	95.3	0	0	0	0	0	0	97.2	97.5	50	97.3	89.1	57.1	98.6	0	92.7	95.3
Trucks	229	88	0	0	317	0	0	0	0	0	0	67	55	1	123	232	3	19	0	254	694
% Trucks	5.8	3.2	0	0	4.7	0	0	0	0	0	0	2.8	2.5	50	2.7	10.9	42.9	1.4	0	7.3	4.7

# Short Elliott Hendrickson Inc.

3535 Vadnais Center Drive  
St. Paul, MN 55110

"Building a Better World for All of Us"



## TRAFFIC DATA

I-94 & TH 95 (St Croix Trail) S Ramp

Ref.Pt.: 258.815

Data By: Short Elliott Hendrickson, Inc.

TURN MOVEMENT COUNT

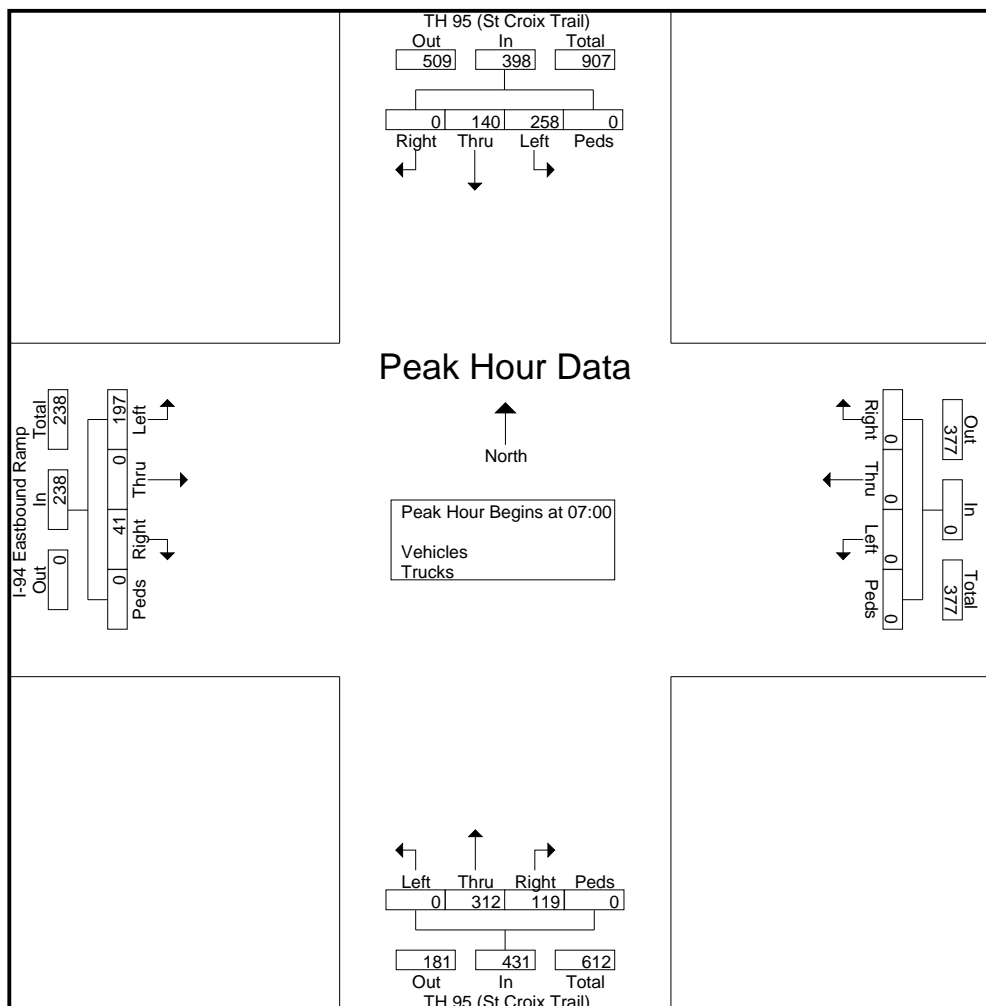
File Name : I-94 & TH 95 (St Croix Trail) S Ramp 2019

Site Code : 8b

Start Date : 4/30/2019

Page No : 3

Start Time	TH 95 (St Croix Trail) Southbound					Westbound					TH 95 (St Croix Trail) Northbound					I-94 Eastbound Ramp Eastbound					Int. Total
	Left	Thru	Right	Peds	App. Total	Left	Thru	Right	Peds	App. Total	Left	Thru	Right	Peds	App. Total	Left	Thru	Right	Peds	App. Total	
Peak Hour Analysis From 06:00 to 08:45 - Peak 1 of 1																					
Peak Hour for Entire Intersection Begins at 07:00																					
07:00	44	19	0	0	63	0	0	0	0	0	0	104	33	0	137	41	0	2	0	43	243
07:15	63	33	0	0	96	0	0	0	0	0	0	85	26	0	111	46	0	14	0	60	267
07:30	<b>79</b>	<b>40</b>	0	0	<b>119</b>	0	0	0	0	0	0	55	21	0	76	<b>58</b>	0	10	0	<b>68</b>	263
07:45	72	<b>48</b>	0	0	<b>120</b>	0	0	0	0	0	0	68	<b>39</b>	0	107	52	0	<b>15</b>	0	<b>67</b>	<b>294</b>
Total Volume	258	140	0	0	398	0	0	0	0	0	0	312	119	0	431	197	0	41	0	238	1067
% App. Total	64.8	35.2	0	0		0	0	0	0		0	72.4	27.6	0		82.8	0	17.2	0		
PHF	.816	.729	.000	.000	.829	.000	.000	.000	.000	.000	.000	.750	.763	.000	.786	.849	.000	.683	.000	.875	.907



# Short Elliott Hendrickson Inc.

3535 Vadnais Center Drive  
St. Paul, MN 55110

"Building a Better World for All of Us"



## TRAFFIC DATA

I-94 & TH 95 (St Croix Trail) S Ramp

Ref.Pt.: 258.815

Data By: Short Elliott Hendrickson, Inc.

TURN MOVEMENT COUNT

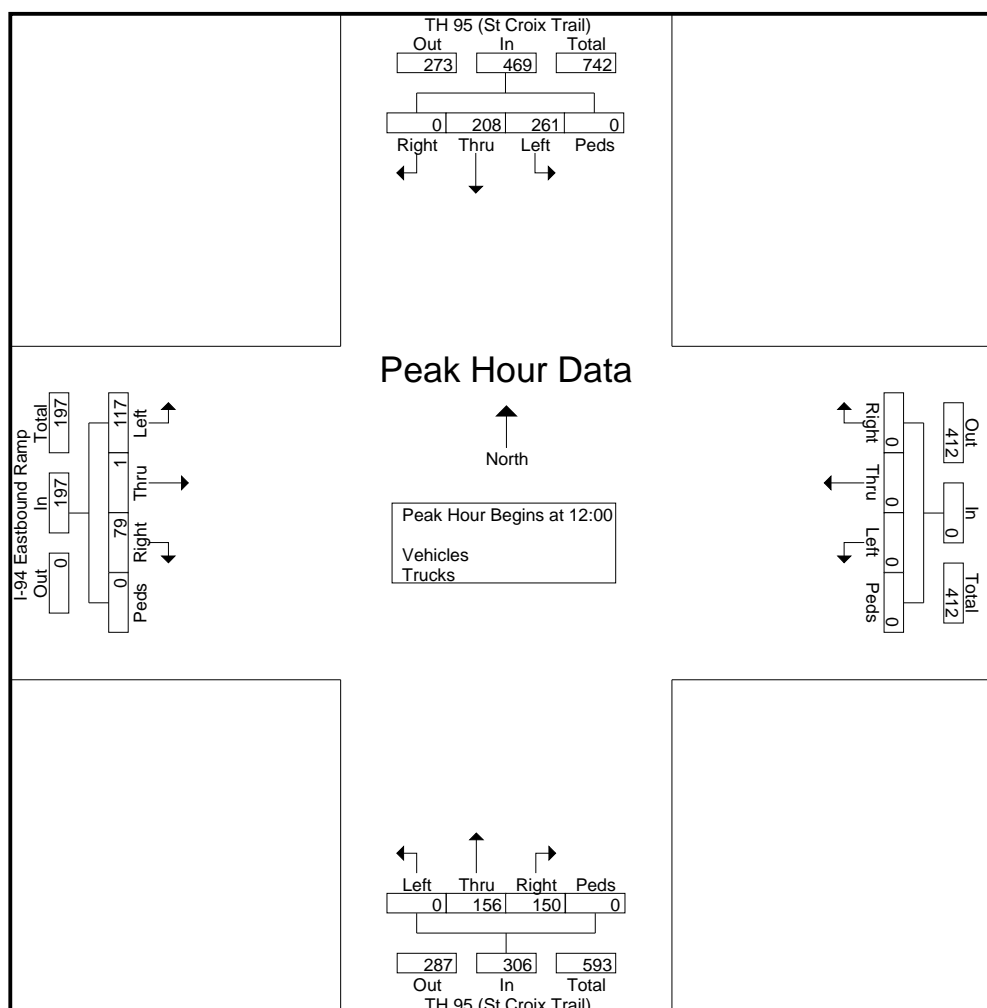
File Name : I-94 & TH 95 (St Croix Trail) S Ramp 2019

Site Code : 8b

Start Date : 4/30/2019

Page No : 4

Start Time	TH 95 (St Croix Trail) Southbound					Westbound					TH 95 (St Croix Trail) Northbound					I-94 Eastbound Ramp Eastbound					Int. Total
	Left	Thru	Right	Peds	App. Total	Left	Thru	Right	Peds	App. Total	Left	Thru	Right	Peds	App. Total	Left	Thru	Right	Peds	App. Total	
Peak Hour Analysis From 11:00 to 12:45 - Peak 1 of 1 Peak Hour for Entire Intersection Begins at 12:00																					
12:00	54	36	0	0	90	0	0	0	0	0	0	36	41	0	77	33	0	17	0	50	217
12:15	69	60	0	0	129	0	0	0	0	0	0	38	44	0	82	25	0	22	0	47	258
12:30	73	51	0	0	124	0	0	0	0	0	0	43	40	0	83	34	0	25	0	59	266
12:45	65	61	0	0	126	0	0	0	0	0	0	39	25	0	64	25	1	15	0	41	231
Total Volume	261	208	0	0	469	0	0	0	0	0	0	156	150	0	306	117	1	79	0	197	972
% App. Total	55.7	44.3	0	0		0	0	0	0		0	51	49	0		59.4	0.5	40.1	0		
PHF	.894	.852	.000	.000	.909	.000	.000	.000	.000	.000	.000	.907	.852	.000	.922	.860	.250	.790	.000	.835	.914



# Short Elliott Hendrickson Inc.

3535 Vadnais Center Drive  
St. Paul, MN 55110

"Building a Better World for All of Us"



## TRAFFIC DATA

I-94 & TH 95 (St Croix Trail) S Ramp

Ref.Pt.: 258.815

Data By: Short Elliott Hendrickson, Inc.

TURN MOVEMENT COUNT

File Name : I-94 & TH 95 (St Croix Trail) S Ramp 2019

Site Code : 8b

Start Date : 4/30/2019

Page No : 5

Start Time	TH 95 (St Croix Trail) Southbound					Westbound					TH 95 (St Croix Trail) Northbound					I-94 Eastbound Ramp Eastbound					Int. Total
	Left	Thru	Right	Peds	App. Total	Left	Thru	Right	Peds	App. Total	Left	Thru	Right	Peds	App. Total	Left	Thru	Right	Peds	App. Total	
Peak Hour Analysis From 15:00 to 17:45 - Peak 1 of 1																					
Peak Hour for Entire Intersection Begins at 16:30																					
16:30	130	70	0	0	200	0	0	0	0	0	0	49	71	0	120	134	0	100	0	234	554
16:45	147	65	0	0	212	0	0	0	0	0	0	49	57	0	106	78	1	57	0	136	454
17:00	113	78	0	0	191	0	0	0	0	0	0	47	46	0	93	80	0	43	0	123	407
17:15	124	97	0	0	221	0	0	0	0	0	0	50	61	0	111	56	0	54	0	110	442
Total Volume	514	310	0	0	824	0	0	0	0	0	0	195	235	0	430	348	1	254	0	603	1857
% App. Total	62.4	37.6	0	0		0	0	0	0		0	45.3	54.7	0		57.7	0.2	42.1	0		
PHF	.874	.799	.000	.000	.932	.000	.000	.000	.000	.000	.000	.975	.827	.000	.896	.649	.250	.635	.000	.644	.838

