



MINNESOTA DEPT OF TRANSPORTATION

TRAFFIC DATA COLLECTION - METRO

TH-13 at Candy Cove Trail, south jct
 Ref.Pt.: 086.130
 JAMAR # T-2638 CAH
 TURN MOVEMENT COUNT

File Name : TH-13 at Candy Cove Tr S jct 2010
 Site Code : 00000000
 Start Date : 3/25/2010
 Page No : 1

Groups Printed- Cars & Trucks

Start Time	TH-13 Southbound				CANDY COVE TRAIL Westbound				TH-13 Northbound				CANDY COVE TRAIL Eastbound				Int. Total
	Left	Thru	Right	Peds	Left	Thru	Right	Peds	Left	Thru	Right	Peds	Left	Thru	Right	Peds	
06:00	0	17	0	0	0	0	1	0	0	92	0	0	0	1	0	0	111
06:15	0	21	0	0	3	0	2	0	0	111	0	0	2	0	2	0	141
06:30	0	34	0	0	0	0	1	0	0	131	0	0	2	0	2	0	170
06:45	0	34	0	0	1	0	2	0	1	131	0	0	2	0	4	0	175
Total	0	106	0	0	4	0	6	0	1	465	0	0	6	1	8	0	597
07:00	2	23	0	0	1	0	1	0	2	98	0	0	1	1	1	0	130
07:15	0	41	0	0	1	0	0	0	2	150	0	0	3	0	1	0	198
07:30	0	29	0	0	1	0	0	0	1	158	1	0	1	0	1	0	192
07:45	0	59	0	0	0	0	3	0	1	146	1	0	1	0	1	0	212
Total	2	152	0	0	3	0	4	0	6	552	2	0	6	1	4	0	732
08:00	0	53	0	0	0	0	0	0	0	128	1	0	0	1	1	0	184
08:15	0	62	0	0	0	0	1	0	0	155	0	0	2	3	3	0	226
08:30	0	66	0	0	0	0	1	0	2	111	0	0	0	1	1	0	182
08:45	1	71	1	0	0	0	1	0	1	118	1	0	4	0	2	0	200
Total	1	252	1	0	0	0	3	0	3	512	2	0	6	5	7	0	792
*** BREAK ***																	
15:00	6	139	1	1	1	0	5	0	4	131	4	0	0	0	2	0	294
15:15	1	142	3	1	1	1	0	0	1	101	1	0	0	0	1	0	253
15:30	2	157	1	0	0	0	1	0	2	114	1	0	1	0	4	0	283
15:45	2	187	1	0	0	1	2	0	2	115	2	0	1	0	2	0	315
Total	11	625	6	2	2	2	8	0	9	461	8	0	2	0	9	0	1145
16:00	1	188	2	0	1	0	2	0	4	113	0	0	2	0	0	0	313
16:15	0	173	0	0	0	0	0	0	2	96	4	1	0	0	0	0	276
16:30	1	195	2	0	0	0	0	0	3	135	0	0	0	0	2	0	338
16:45	6	189	3	0	1	0	4	0	2	132	1	0	1	0	3	0	342
Total	8	745	7	0	2	0	6	0	11	476	5	1	3	0	5	0	1269
17:00	3	181	2	1	0	0	0	0	7	138	2	0	0	0	1	0	335
17:15	2	203	1	0	1	0	0	0	3	121	1	0	3	0	1	0	336
17:30	0	177	2	0	0	2	1	0	2	106	4	0	1	2	1	0	298
17:45	3	163	1	0	0	0	3	0	1	114	3	0	0	0	2	0	290
Total	8	724	6	1	1	2	4	0	13	479	10	0	4	2	5	0	1259
Grand Total	30	2604	20	3	12	4	31	0	43	2945	27	1	27	9	38	0	5794
Apprch %	1.1	98	0.8	0.1	25.5	8.5	66	0	1.4	97.6	0.9	0	36.5	12.2	51.4	0	
Total %	0.5	44.9	0.3	0.1	0.2	0.1	0.5	0	0.7	50.8	0.5	0	0.5	0.2	0.7	0	



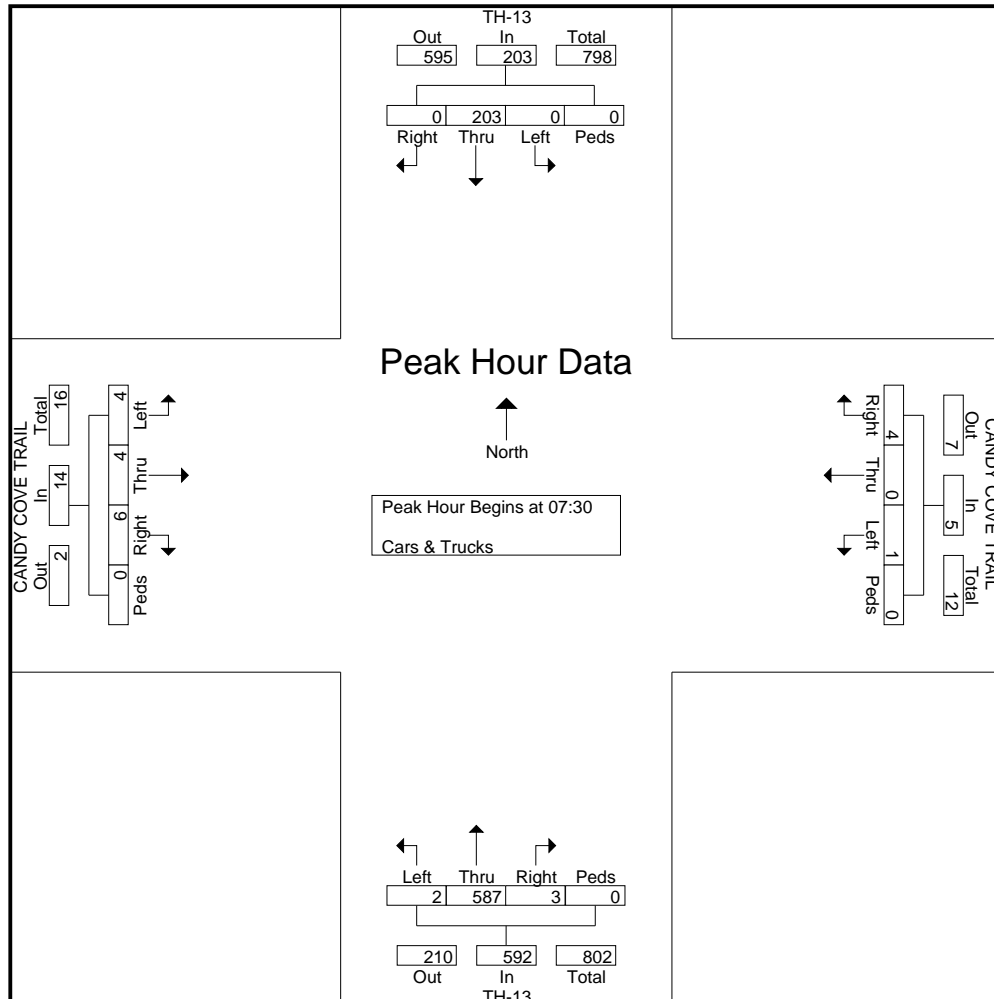
MINNESOTA DEPT OF TRANSPORTATION

TRAFFIC DATA COLLECTION - METRO

TH-13 at Candy Cove Trail, south jct
 Ref.Pt.: 086.130
 JAMAR # T-2638 CAH
 TURN MOVEMENT COUNT

File Name : TH-13 at Candy Cove Tr S jct 2010
 Site Code : 00000000
 Start Date : 3/25/2010
 Page No : 2

Start Time	TH-13 Southbound					CANDY COVE TRAIL Westbound					TH-13 Northbound					CANDY COVE TRAIL Eastbound					Int. Total
	Left	Thru	Right	Peds	App. Total	Left	Thru	Right	Peds	App. Total	Left	Thru	Right	Peds	App. Total	Left	Thru	Right	Peds	App. Total	
Peak Hour Analysis From 06:00 to 08:45 - Peak 1 of 1																					
Peak Hour for Entire Intersection Begins at 07:30																					
07:30	0	29	0	0	29	1	0	0	0	1	1	158	1	0	160	1	0	1	0	2	192
07:45	0	59	0	0	59	0	0	3	0	3	1	146	1	0	148	1	0	1	0	2	212
08:00	0	53	0	0	53	0	0	0	0	0	0	128	1	0	129	0	1	1	0	2	184
08:15	0	62	0	0	62	0	0	1	0	1	0	155	0	0	155	2	3	3	0	8	226
Total Volume	0	203	0	0	203	1	0	4	0	5	2	587	3	0	592	4	4	6	0	14	814
% App. Total	0	100	0	0		20	0	80	0		0.3	99.2	0.5	0		28.6	28.6	42.9	0		
PHF	.000	.819	.000	.000	.819	.250	.000	.333	.000	.417	.500	.929	.750	.000	.925	.500	.333	.500	.000	.438	.900





MINNESOTA DEPT OF TRANSPORTATION

TRAFFIC DATA COLLECTION - METRO

TH-13 at Candy Cove Trail, south jct
 Ref.Pt.: 086.130
 JAMAR # T-2638 CAH
 TURN MOVEMENT COUNT

File Name : TH-13 at Candy Cove Tr S jct 2010
 Site Code : 00000000
 Start Date : 3/25/2010
 Page No : 3

Start Time	TH-13 Southbound					CANDY COVE TRAIL Westbound					TH-13 Northbound					CANDY COVE TRAIL Eastbound					Int. Total
	Left	Thru	Right	Peds	App. Total	Left	Thru	Right	Peds	App. Total	Left	Thru	Right	Peds	App. Total	Left	Thru	Right	Peds	App. Total	

Peak Hour Analysis From 15:00 to 17:45 - Peak 1 of 1
 Peak Hour for Entire Intersection Begins at 16:30

16:30	1	195	2	0	198	0	0	0	0	0	3	135	0	0	138	0	0	2	0	2	338
16:45	6	189	3	0	198	1	0	4	0	5	2	132	1	0	135	1	0	3	0	4	342
17:00	3	181	2	1	187	0	0	0	0	0	7	138	2	0	147	0	0	1	0	1	335
17:15	2	203	1	0	206	1	0	0	0	1	3	121	1	0	125	3	0	1	0	4	336
Total Volume	12	768	8	1	789	2	0	4	0	6	15	526	4	0	545	4	0	7	0	11	1351
% App. Total	1.5	97.3	1	0.1		33.3	0	66.7	0		2.8	96.5	0.7	0		36.4	0	63.6	0		
PHF	.500	.946	.667	.250	.958	.500	.000	.250	.000	.300	.536	.953	.500	.000	.927	.333	.000	.583	.000	.688	.988

