

716 Power Blvd and CSAH 16
Ref.Pt: 44.885
data by: Alliant Inc
TURN MOVEMENT COUNT

File Name : 716_Power Blvd and CSAH 16
Site Code : 00000716
Start Date : 9/26/2018
Page No : 1

Groups Printed- Class 1 - Class 2

Start Time	Powers Blvd Southbound					CSAH 16 Westbound					Powers Blvd Northbound					CSAH 16 Eastbound					Int. Total
	Peds	Right	Thru	Left	App. Total	Peds	Right	Thru	Left	App. Total	Peds	Right	Thru	Left	App. Total	Peds	Right	Thru	Left	App. Total	
06:00 AM	1	1	36	7	45	0	1	4	7	12	0	10	14	0	24	0	2	3	0	5	86
06:15 AM	0	0	38	7	45	0	0	0	9	9	0	14	13	0	27	0	1	8	1	10	91
06:30 AM	2	2	47	8	59	0	5	0	9	14	0	13	24	1	38	1	2	12	1	16	127
06:45 AM	0	4	71	10	85	0	4	3	12	19	0	22	30	1	53	0	2	10	2	14	171
Total	3	7	192	32	234	0	10	7	37	54	0	59	81	2	142	1	7	33	4	45	475
07:00 AM	1	1	79	6	87	0	4	2	16	22	0	35	35	1	71	0	3	12	5	20	200
07:15 AM	1	5	92	12	110	0	7	4	18	29	0	35	43	0	78	0	0	14	3	17	234
07:30 AM	0	4	97	8	109	0	5	9	43	57	0	43	43	1	87	1	3	14	6	24	277
07:45 AM	3	5	115	26	149	0	8	13	57	78	0	39	57	2	98	0	4	26	3	33	358
Total	5	15	383	52	455	0	24	28	134	186	0	152	178	4	334	1	10	66	17	94	1069
08:00 AM	1	9	102	22	134	0	8	10	38	56	0	34	51	4	89	0	4	13	7	24	303
08:15 AM	0	8	67	12	87	0	12	12	30	54	0	34	45	2	81	0	5	16	4	25	247
08:30 AM	1	7	72	19	99	0	12	4	23	39	0	39	54	5	98	0	4	13	2	19	255
08:45 AM	0	2	67	19	88	0	5	7	37	49	0	47	45	3	95	1	2	9	2	14	246
Total	2	26	308	72	408	0	37	33	128	198	0	154	195	14	363	1	15	51	15	82	1051
09:00 AM	0	10	62	16	88	0	10	7	37	54	0	45	54	1	100	0	0	17	5	22	264
09:15 AM	0	2	54	12	68	0	9	9	29	47	0	45	27	0	72	1	3	16	5	25	212
*** BREAK ***																					
Total	0	12	116	28	156	0	19	16	66	101	0	90	81	1	172	1	3	33	10	47	476
*** BREAK ***																					
10:30 AM	2	0	44	20	66	0	19	8	44	71	0	62	47	0	109	0	4	12	2	18	264
10:45 AM	0	1	34	16	51	1	16	11	43	71	0	52	36	1	89	0	4	13	2	19	230
Total	2	1	78	36	117	1	35	19	87	142	0	114	83	1	198	0	8	25	4	37	494
11:00 AM	0	5	26	15	46	0	14	16	43	73	0	69	41	0	110	0	0	13	1	14	243
11:15 AM	0	0	44	21	65	0	24	17	64	105	0	64	62	0	126	0	4	21	4	29	325
11:30 AM	2	2	46	24	74	0	20	25	72	117	1	76	55	1	133	1	5	15	4	25	349
11:45 AM	1	7	42	26	76	0	24	27	72	123	0	79	63	2	144	0	2	26	0	28	371
Total	3	14	158	86	261	0	82	85	251	418	1	288	221	3	513	1	11	75	9	96	1288
12:00 PM	1	3	27	21	52	0	21	21	97	139	0	80	69	2	151	0	7	21	7	35	377
12:15 PM	0	5	41	17	63	0	18	25	101	144	0	87	49	7	143	0	4	26	3	33	383
12:30 PM	1	2	34	26	63	0	22	28	116	166	0	75	52	2	129	0	4	22	2	28	386
12:45 PM	0	9	54	11	74	0	19	23	124	166	0	65	60	4	129	1	5	27	8	41	410
Total	2	19	156	75	252	0	80	97	438	615	0	307	230	15	552	1	20	96	20	137	1556
01:00 PM	1	1	47	11	60	0	24	31	96	151	0	74	43	3	120	0	7	17	3	27	358
01:15 PM	1	5	58	11	75	0	19	31	93	143	0	56	53	2	111	0	1	22	4	27	356
*** BREAK ***																					
Total	2	6	105	22	135	0	43	62	189	294	0	130	96	5	231	0	8	39	7	54	714
*** BREAK ***																					
02:30 PM	1	2	47	19	69	0	25	30	84	139	0	38	49	2	89	0	3	10	5	18	315
02:45 PM	1	4	43	20	68	0	29	20	83	132	0	52	74	1	127	0	2	14	2	18	345
Total	2	6	90	39	137	0	54	50	167	271	0	90	123	3	216	0	5	24	7	36	660
03:00 PM	0	9	53	19	81	0	22	25	84	131	0	56	79	0	135	0	1	15	2	18	365
03:15 PM	0	5	53	17	75	0	22	34	81	137	0	54	59	4	117	0	2	26	3	31	360
03:30 PM	0	7	66	17	90	0	26	21	79	126	0	50	93	0	143	0	3	15	5	23	382
03:45 PM	0	4	55	24	83	0	27	21	98	146	0	61	90	2	153	0	2	18	4	24	406
Total	0	25	227	77	329	0	97	101	342	540	0	221	321	6	548	0	8	74	14	96	1513

716 Power Blvd and CSAH 16
Ref.Pt: 44.885
data by: Alliant Inc
TURN MOVEMENT COUNT

File Name : 716_Power Blvd and CSAH 16
Site Code : 00000716
Start Date : 9/26/2018
Page No : 2

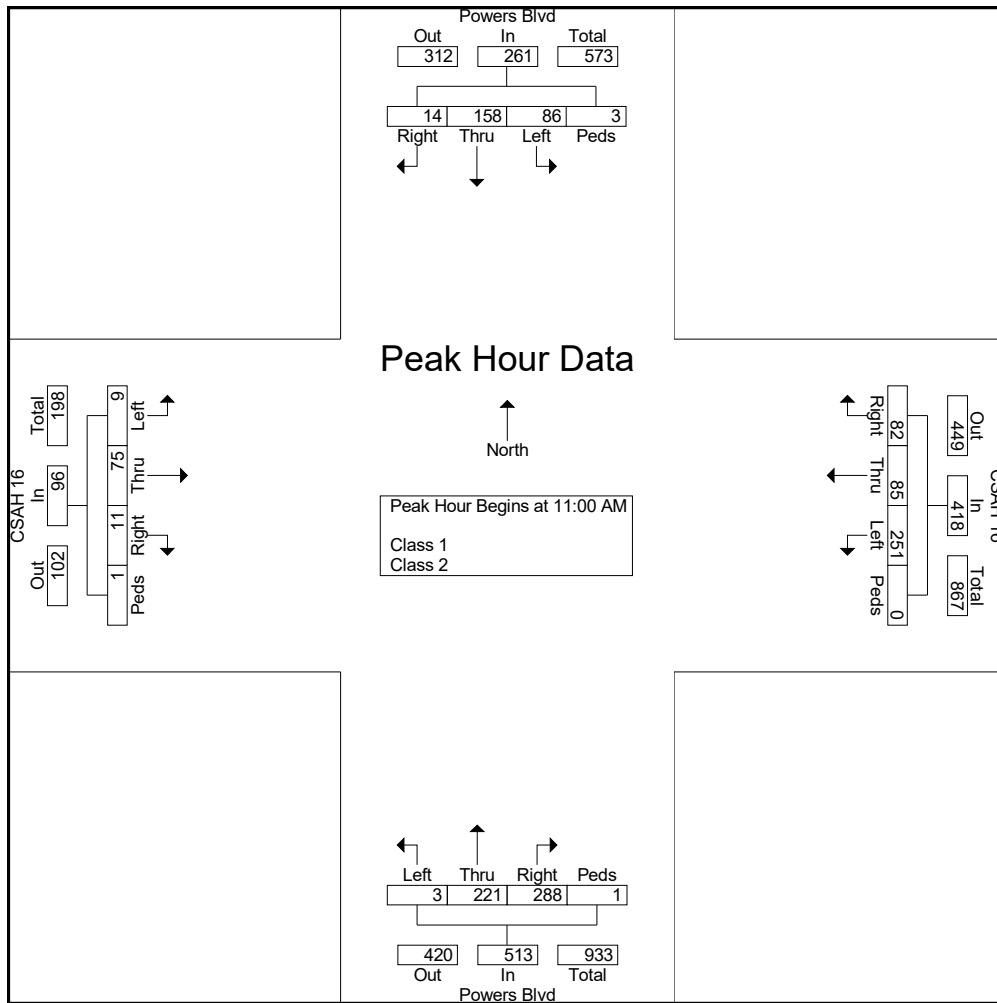
Groups Printed- Class 1 - Class 2

Start Time	Powers Blvd Southbound					CSAH 16 Westbound					Powers Blvd Northbound					CSAH 16 Eastbound					Int. Total
	Peds	Right	Thru	Left	App. Total	Peds	Right	Thru	Left	App. Total	Peds	Right	Thru	Left	App. Total	Peds	Right	Thru	Left	App. Total	
04:00 PM	2	3	41	14	60	0	37	25	99	161	0	62	76	0	138	1	3	13	5	22	381
04:15 PM	0	2	67	20	89	0	39	30	89	158	0	61	100	0	161	0	3	21	6	30	438
04:30 PM	0	7	53	26	86	0	36	29	92	157	0	59	119	5	183	0	3	15	9	27	453
04:45 PM	1	5	74	27	107	0	30	32	95	157	0	89	123	2	214	0	2	23	7	32	510
Total	3	17	235	87	342	0	142	116	375	633	0	271	418	7	696	1	11	72	27	111	1782
05:00 PM	2	4	63	26	95	0	30	29	115	174	0	56	125	2	183	1	2	27	13	43	495
05:15 PM	3	3	89	18	113	1	32	31	86	150	0	68	141	1	210	0	4	29	9	42	515
05:30 PM	1	8	47	28	84	0	34	37	122	193	0	66	128	1	195	3	1	15	6	25	497
05:45 PM	1	5	64	21	91	3	30	30	89	152	2	65	93	2	162	2	4	22	3	31	436
Total	7	20	263	93	383	4	126	127	412	669	2	255	487	6	750	6	11	93	31	141	1943
Grand Total	31	168	2311	699	3209	5	749	741	2626	4121	3	2131	2514	67	4715	13	117	681	165	976	13021
Apprch %	1	5.2	72	21.8		0.1	18.2	18	63.7		0.1	45.2	53.3	1.4		1.3	12	69.8	16.9		
Total %	0.2	1.3	17.7	5.4	24.6	0	5.8	5.7	20.2	31.6	0	16.4	19.3	0.5	36.2	0.1	0.9	5.2	1.3	7.5	
Class 1	13	167	2269	697	3146	3	745	735	2579	4062	1	2088	2435	67	4591	3	116	677	164	960	12759
% Class 1	41.9	99.4	98.2	99.7	98	60	99.5	99.2	98.2	98.6	33.3	98	96.9	100	97.4	23.1	99.1	99.4	99.4	98.4	98
Class 2	18	1	42	2	63	2	4	6	47	59	2	43	79	0	124	10	1	4	1	16	262
% Class 2	58.1	0.6	1.8	0.3	2	40	0.5	0.8	1.8	1.4	66.7	2	3.1	0	2.6	76.9	0.9	0.6	0.6	1.6	2

716 Power Blvd and CSAH 16
 Ref.Pt: 44.885
 data by: Alliant Inc
 TURN MOVEMENT COUNT

File Name : 716_Power Blvd and CSAH 16
 Site Code : 00000716
 Start Date : 9/26/2018
 Page No : 3

Start Time	Powers Blvd Southbound					CSAH 16 Westbound					Powers Blvd Northbound					CSAH 16 Eastbound					Int. Total
	Peds	Right	Thru	Left	App. Total	Peds	Right	Thru	Left	App. Total	Peds	Right	Thru	Left	App. Total	Peds	Right	Thru	Left	App. Total	
Peak Hour Analysis From 06:00 AM to 11:45 AM - Peak 1 of 1																					
Peak Hour for Entire Intersection Begins at 11:00 AM																					
11:00 AM	0	5	26	15	46	0	14	16	43	73	0	69	41	0	110	0	0	13	1	14	243
11:15 AM	0	0	44	21	65	0	24	17	64	105	0	64	62	0	126	0	4	21	4	29	325
11:30 AM	2	2	46	24	74	0	20	25	72	117	1	76	55	1	133	1	5	15	4	25	349
11:45 AM	1	7	42	26	76	0	24	27	72	123	0	79	63	2	144	0	2	26	0	28	371
Total Volume	3	14	158	86	261	0	82	85	251	418	1	288	221	3	513	1	11	75	9	96	1288
% App. Total	1.1	5.4	60.5	33		0	19.6	20.3	60		0.2	56.1	43.1	0.6		1	11.5	78.1	9.4		
PHF	.375	.500	.859	.827	.859	.000	.854	.787	.872	.850	.250	.911	.877	.375	.891	.250	.550	.721	.563	.828	.868



716 Power Blvd and CSAH 16
 Ref.Pt: 44.885
 data by: Alliant Inc
 TURN MOVEMENT COUNT

File Name : 716_Power Blvd and CSAH 16
 Site Code : 0000716
 Start Date : 9/26/2018
 Page No : 4

Start Time	Powers Blvd Southbound					CSAH 16 Westbound					Powers Blvd Northbound					CSAH 16 Eastbound					Int. Total
	Peds	Right	Thru	Left	App. Total	Peds	Right	Thru	Left	App. Total	Peds	Right	Thru	Left	App. Total	Peds	Right	Thru	Left	App. Total	
Peak Hour Analysis From 12:00 PM to 05:45 PM - Peak 1 of 1																					
Peak Hour for Entire Intersection Begins at 04:45 PM																					
04:45 PM	1	5	74	27	107	0	30	32	95	157	0	89	123	2	214	0	2	23	7	32	510
05:00 PM	2	4	63	26	95	0	30	29	115	174	0	56	125	2	183	1	2	27	13	43	495
05:15 PM	3	3	89	18	113	1	32	31	86	150	0	68	141	1	210	0	4	29	9	42	515
05:30 PM	1	8	47	28	84	0	34	37	122	193	0	66	128	1	195	3	1	15	6	25	497
Total Volume	7	20	273	99	399	1	126	129	418	674	0	279	517	6	802	4	9	94	35	142	2017
% App. Total	1.8	5	68.4	24.8		0.1	18.7	19.1	62		0	34.8	64.5	0.7		2.8	6.3	66.2	24.6		
PHF	.583	.625	.767	.884	.883	.250	.926	.872	.857	.873	.000	.784	.917	.750	.937	.333	.563	.810	.673	.826	.979

