



701 Xenia Ave S, Suite 300
 Minneapolis, MN 55416

TH 5 & Montreal Ave
 7-9am & 4-6pm
 vehicles, heavy trucks, peds
 day 2

File Name : site 12-TH 5 & Montreal Ave-day 2
 Site Code : 12
 Start Date : 3/31/2022
 Page No : 1

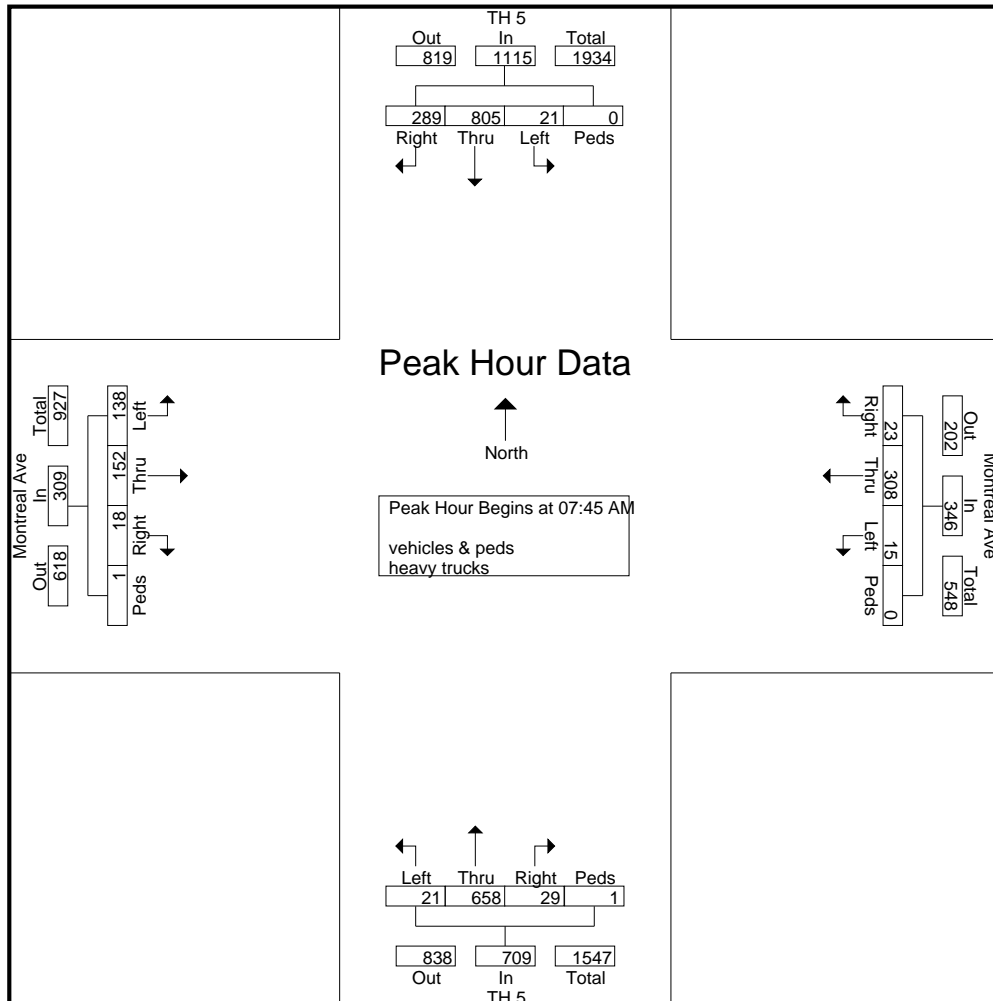
Groups Printed- vehicles & peds - heavy trucks

Start Time	TH 5 From North					Montreal Ave From East					TH 5 From South					Montreal Ave From West					Int. Total
	Right	Thru	Left	Peds	App. Total	Right	Thru	Left	Peds	App. Total	Right	Thru	Left	Peds	App. Total	Right	Thru	Left	Peds	App. Total	
07:00 AM	23	131	4	0	158	3	19	2	0	24	1	120	9	0	130	4	8	26	0	38	350
07:15 AM	23	157	11	0	191	2	26	1	1	30	2	134	7	0	143	4	11	27	0	42	406
07:30 AM	38	181	4	0	223	3	65	1	0	69	2	135	7	0	144	2	25	33	0	60	496
07:45 AM	60	196	5	0	261	8	89	5	0	102	6	189	7	0	202	7	28	35	0	70	635
Total	144	665	24	0	833	16	199	9	1	225	11	578	30	0	619	17	72	121	0	210	1887
08:00 AM	80	202	5	0	287	5	98	3	0	106	8	160	7	0	175	2	53	53	0	108	676
08:15 AM	80	211	9	0	300	3	83	2	0	88	5	180	4	1	190	3	50	31	0	84	662
08:30 AM	69	196	2	0	267	7	38	5	0	50	10	129	3	0	142	6	21	19	1	47	506
08:45 AM	47	155	8	1	211	5	42	2	1	50	5	170	3	0	178	3	19	36	0	58	497
Total	276	764	24	1	1065	20	261	12	1	294	28	639	17	1	685	14	143	139	1	297	2341
04:00 PM	77	215	9	0	301	13	44	7	1	65	5	220	5	0	230	4	48	32	0	84	680
04:15 PM	42	240	9	0	291	10	38	3	1	52	7	226	9	0	242	4	37	30	0	71	656
04:30 PM	58	223	6	0	287	16	49	7	0	72	0	243	8	1	252	5	32	33	0	70	681
04:45 PM	71	222	4	0	297	12	33	6	0	51	4	216	9	0	229	2	36	22	0	60	637
Total	248	900	28	0	1176	51	164	23	2	240	16	905	31	1	953	15	153	117	0	285	2654
05:00 PM	74	229	6	1	310	10	53	6	1	70	8	229	6	0	243	6	44	37	1	88	711
05:15 PM	58	222	2	0	282	8	45	5	0	58	4	212	13	1	230	8	22	39	0	69	639
05:30 PM	59	198	5	0	262	14	52	4	1	71	4	225	5	0	234	4	35	34	0	73	640
05:45 PM	59	177	8	0	244	7	45	7	0	59	4	229	11	2	246	10	33	35	0	78	627
Total	250	826	21	1	1098	39	195	22	2	258	20	895	35	3	953	28	134	145	1	308	2617
Grand Total	918	3155	97	2	4172	126	819	66	6	1017	75	3017	113	5	3210	74	502	522	2	1100	9499
Apprch %	22	75.6	2.3	0		12.4	80.5	6.5	0.6		2.3	94	3.5	0.2		6.7	45.6	47.5	0.2		
Total %	9.7	33.2	1	0	43.9	1.3	8.6	0.7	0.1	10.7	0.8	31.8	1.2	0.1	33.8	0.8	5.3	5.5	0	11.6	
vehicles & peds	906	3151	97	2	4156	125	815	66	6	1012	75	3013	107	3	3198	69	493	514	1	1077	9443
% vehicles & peds	98.7	99.9	100	100	99.6	99.2	99.5	100	100	99.5	100	99.9	94.7	60	99.6	93.2	98.2	98.5	50	97.9	99.4
heavy trucks	12	4	0	0	16	1	4	0	0	5	0	4	6	2	12	5	9	8	1	23	56
% heavy trucks	1.3	0.1	0	0	0.4	0.8	0.5	0	0	0.5	0	0.1	5.3	40	0.4	6.8	1.8	1.5	50	2.1	0.6

TH 5 & Montreal Ave
 7-9am & 4-6pm
 vehicles, heavy trucks, peds
 day 2

File Name : site 12-TH 5 & Montreal Ave-day 2
 Site Code : 12
 Start Date : 3/31/2022
 Page No : 2

Start Time	TH 5 From North					Montreal Ave From East					TH 5 From South					Montreal Ave From West					Int. Total
	Right	Thru	Left	Peds	App. Total	Right	Thru	Left	Peds	App. Total	Right	Thru	Left	Peds	App. Total	Right	Thru	Left	Peds	App. Total	
Peak Hour Analysis From 07:00 AM to 11:45 AM - Peak 1 of 1																					
Peak Hour for Entire Intersection Begins at 07:45 AM																					
07:45 AM	60	196	5	0	261	8	89	5	0	102	6	189	7	0	202	7	28	35	0	70	635
08:00 AM	80	202	5	0	287	5	98	3	0	106	8	160	7	0	175	2	53	53	0	108	676
08:15 AM	80	211	9	0	300	3	83	2	0	88	5	180	4	1	190	3	50	31	0	84	662
08:30 AM	69	196	2	0	267	7	38	5	0	50	10	129	3	0	142	6	21	19	1	47	506
Total Volume	289	805	21	0	1115	23	308	15	0	346	29	658	21	1	709	18	152	138	1	309	2479
% App. Total	25.9	72.2	1.9	0		6.6	89	4.3	0		4.1	92.8	3	0.1		5.8	49.2	44.7	0.3		
PHF	.903	.954	.583	.000	.929	.719	.786	.750	.000	.816	.725	.870	.750	.250	.877	.643	.717	.651	.250	.715	.917



TH 5 & Montreal Ave
7-9am & 4-6pm
vehicles, heavy trucks, peds
day 2

File Name : site 12-TH 5 & Montreal Ave-day 2
Site Code : 12
Start Date : 3/31/2022
Page No : 3

Start Time	TH 5 From North					Montreal Ave From East					TH 5 From South					Montreal Ave From West					Int. Total
	Rig ht	Thr u	Left	Ped s	App. Total	Rig ht	Thr u	Left	Ped s	App. Total	Right	Thr u	Left	Peds	App. Total	Right	Thr u	Left	Peds	App. Total	
Peak Hour Analysis From 12:00 PM to 05:45 PM - Peak 1 of 1																					
Peak Hour for Entire Intersection Begins at 04:15 PM																					
04:15 PM	42	240	9	0	291	10	38	3	1	52	7	226	9	0	242	4	37	30	0	71	656
04:30 PM	58	223	6	0	287	16	49	7	0	72	0	243	8	1	252	5	32	33	0	70	681
04:45 PM	71	222	4	0	297	12	33	6	0	51	4	216	9	0	229	2	36	22	0	60	637
05:00 PM	74	229	6	1	310	10	53	6	1	70	8	229	6	0	243	6	44	37	1	88	711
Total Volume	245	914	25	1	1185	48	173	22	2	245	19	914	32	1	966	17	149	122	1	289	2685
% App. Total	20.7	77.1	2.1	0.1		19.6	70.6	9	0.8		2	94.6	3.3	0.1		5.9	51.6	42.2	0.3		
PHF	.828	.952	.694	.250	.956	.750	.816	.786	.500	.851	.594	.940	.889	.250	.958	.708	.847	.824	.250	.821	.944

