



701 Xenia Ave S, Suite 300  
 Minneapolis, MN 55416

TH 5 & Grand Ave  
 7-9am & 4-6pm  
 vehicles, heavy trucks, peds  
 day 2

File Name : site 51-TH 5 & Grand Ave-day 2  
 Site Code : 51  
 Start Date : 4/6/2022  
 Page No : 1

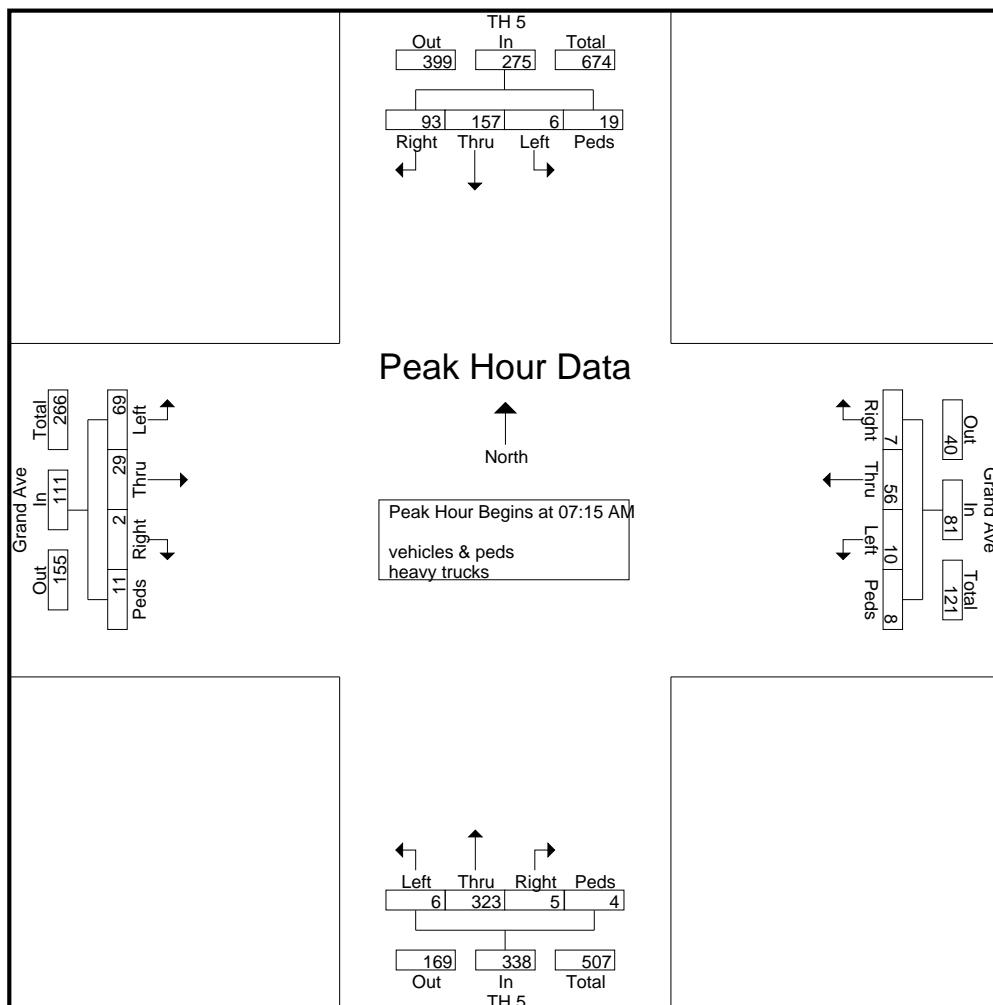
Groups Printed- vehicles & peds - heavy trucks

Start Time	TH 5 From North					Grand Ave From East					TH 5 From South					Grand Ave From West					Int. Total
	Right	Thru	Left	Peds	App. Total	Right	Thru	Left	Peds	App. Total	Right	Thru	Left	Peds	App. Total	Right	Thru	Left	Peds	App. Total	
07:00 AM	19	28	0	3	50	1	6	2	2	11	1	70	3	3	77	0	0	11	1	12	150
07:15 AM	20	36	5	8	69	0	12	2	2	16	1	79	1	0	81	0	2	13	1	16	182
07:30 AM	29	40	0	3	72	2	7	1	3	13	1	88	0	0	89	2	8	21	3	34	208
07:45 AM	28	55	0	6	89	4	15	5	0	24	1	83	3	2	89	0	9	19	6	34	236
Total	96	159	5	20	280	7	40	10	7	64	4	320	7	5	336	2	19	64	11	96	776
08:00 AM	16	26	1	2	45	1	22	2	3	28	2	73	2	2	79	0	10	16	1	27	179
08:15 AM	30	36	2	4	72	5	13	1	0	19	2	60	0	0	62	1	6	20	1	28	181
08:30 AM	20	39	2	6	67	1	14	5	2	22	1	77	2	3	83	0	7	18	7	32	204
08:45 AM	21	38	2	7	68	3	11	2	2	18	1	78	0	3	82	1	4	16	2	23	191
Total	87	139	7	19	252	10	60	10	7	87	6	288	4	8	306	2	27	70	11	110	755
04:00 PM	25	83	2	1	111	6	15	1	3	25	3	70	1	0	74	5	14	22	3	44	254
04:15 PM	37	101	2	2	142	3	7	4	3	17	3	73	1	1	78	5	8	28	2	43	280
04:30 PM	29	85	0	2	116	6	10	6	3	25	1	80	0	3	84	2	19	29	4	54	279
04:45 PM	38	125	0	4	167	2	7	3	0	12	2	77	3	0	82	2	7	26	3	38	299
Total	129	394	4	9	536	17	39	14	9	79	9	300	5	4	318	14	48	105	12	179	1112
05:00 PM	28	106	0	0	134	7	11	5	4	27	3	61	1	3	68	1	12	30	5	48	277
05:15 PM	37	100	5	1	143	3	7	3	2	15	1	83	2	1	87	1	9	22	4	36	281
05:30 PM	25	69	0	2	96	0	4	6	1	11	0	72	2	1	75	4	12	29	3	48	230
05:45 PM	17	90	3	2	112	3	5	6	3	17	2	62	1	4	69	6	9	13	3	31	229
Total	107	365	8	5	485	13	27	20	10	70	6	278	6	9	299	12	42	94	15	163	1017
Grand Total	419	1057	24	53	1553	47	166	54	33	300	25	1186	22	26	1259	30	136	333	49	548	3660
Apprch %	27	68.1	1.5	3.4		15.7	55.3	18	11		2	94.2	1.7	2.1		5.5	24.8	60.8	8.9		
Total %	11.4	28.9	0.7	1.4	42.4	1.3	4.5	1.5	0.9	8.2	0.7	32.4	0.6	0.7	34.4	0.8	3.7	9.1	1.3	15	
vehicles & peds	414	1049	24	53	1540	47	165	54	33	299	25	1145	21	26	1217	30	135	330	49	544	3600
% vehicles & peds	98.8	99.2	100	100	99.2	100	99.4	100	100	99.7	100	96.5	95.5	100	96.7	100	99.3	99.1	100	99.3	98.4
heavy trucks	5	8	0	0	13	0	1	0	0	1	0	41	1	0	42	0	1	3	0	4	60
% heavy trucks	1.2	0.8	0	0	0.8	0	0.6	0	0	0.3	0	3.5	4.5	0	3.3	0	0.7	0.9	0	0.7	1.6

TH 5 & Grand Ave  
 7-9am & 4-6pm  
 vehicles, heavy trucks, peds  
 day 2

File Name : site 51-TH 5 & Grand Ave-day 2  
 Site Code : 51  
 Start Date : 4/6/2022  
 Page No : 2

Start Time	TH 5 From North					Grand Ave From East					TH 5 From South					Grand Ave From West					Int. Total
	Right	Thru	Left	Peds	App. Total	Right	Thru	Left	Peds	App. Total	Right	Thru	Left	Peds	App. Total	Right	Thru	Left	Peds	App. Total	
Peak Hour Analysis From 07:00 AM to 11:45 AM - Peak 1 of 1																					
Peak Hour for Entire Intersection Begins at 07:15 AM																					
07:15 AM	20	36	5	8	69	0	12	2	2	16	1	79	1	0	81	0	2	13	1	16	182
07:30 AM	29	40	0	3	72	2	7	1	3	13	1	88	0	0	89	2	8	21	3	34	208
07:45 AM	28	55	0	6	89	4	15	5	0	24	1	83	3	2	89	0	9	19	6	34	236
08:00 AM	16	26	1	2	45	1	22	2	3	28	2	73	2	2	79	0	10	16	1	27	179
Total Volume	93	157	6	19	275	7	56	10	8	81	5	323	6	4	338	2	29	69	11	111	805
% App. Total	33.8	57.1	2.2	6.9		8.6	69.1	12.3	9.9		1.5	95.6	1.8	1.2		1.8	26.1	62.2	9.9		
PHF	.802	.714	.300	.594	.772	.438	.636	.500	.667	.723	.625	.918	.500	.500	.949	.250	.725	.821	.458	.816	.853



TH 5 & Grand Ave  
7-9am & 4-6pm  
vehicles, heavy trucks, peds  
day 2

File Name : site 51-TH 5 & Grand Ave-day 2  
Site Code : 51  
Start Date : 4/6/2022  
Page No : 3

Start Time	TH 5 From North					Grand Ave From East					TH 5 From South					Grand Ave From West					Int. Total
	Rig ht	Thr u	Left	Ped s	App. Total	Rig ht	Thr u	Left	Ped s	App. Total	Right	Thr u	Left	Peds	App. Total	Right	Thr u	Left	Peds	App. Total	
Peak Hour Analysis From 12:00 PM to 05:45 PM - Peak 1 of 1																					
Peak Hour for Entire Intersection Begins at 04:30 PM																					
04:30 PM	29	85	0	2	116	6	10	6	3	25	1	80	0	3	84	2	19	29	4	54	279
04:45 PM	38	125	0	4	167	2	7	3	0	12	2	77	3	0	82	2	7	26	3	38	299
05:00 PM	28	106	0	0	134	7	11	5	4	27	3	61	1	3	68	1	12	30	5	48	277
05:15 PM	37	100	5	1	143	3	7	3	2	15	1	83	2	1	87	1	9	22	4	36	281
Total Volume	132	416	5	7	560	18	35	17	9	79	7	301	6	7	321	6	47	107	16	176	1136
% App. Total	23.6	74.3	0.9	1.2		22.8	44.3	21.5	11.4		2.2	93.8	1.9	2.2		3.4	26.7	60.8	9.1		
PHF	.868	.832	.250	.438	.838	.643	.795	.708	.563	.731	.583	.907	.500	.583	.922	.750	.618	.892	.800	.815	.950

