

ALLIANT ENGINEERING, INC.

733 S Marquette Ave #700, Minneapolis, MN 55402

MN 51 (Snelling Ave) & CR C2
 City: Roseville
 data by: Spack Solutions
 TURN MOVEMENT COUNT

File Name : MN 51 (Snelling Ave) & CR C2_2021
 Site Code : 3779747
 Start Date : 10/13/2021
 Page No : 1

Groups Printed- Cars - Trucks

Start Time	MN 51 (Snelling Ave) Southbound					CR C2 Westbound					MN 51 (Snelling Ave) Northbound					CR C2 Eastbound					Int. Total
	Left	Thru	Right	Peds	App. Total	Left	Thru	Right	Peds	App. Total	Left	Thru	Right	Peds	App. Total	Left	Thru	Right	Peds	App. Total	
06:00 AM	5	84	4	0	93	3	0	0	0	3	1	28	1	0	30	1	0	1	0	2	128
06:15 AM	4	105	8	0	117	6	3	2	0	11	0	41	0	0	41	1	1	2	0	4	173
06:30 AM	3	136	9	0	148	10	5	2	0	17	6	60	3	0	69	1	0	1	0	2	236
06:45 AM	14	162	17	0	193	8	7	5	0	20	4	63	4	0	71	2	4	0	0	6	290
Total	26	487	38	0	551	27	15	9	0	51	11	192	8	0	211	5	5	4	0	14	827
07:00 AM	7	164	12	0	183	11	6	8	0	25	7	55	4	0	66	2	6	4	0	12	286
07:15 AM	14	204	15	0	233	10	6	7	0	23	8	87	4	0	99	5	5	3	0	13	368
07:30 AM	12	214	25	0	251	9	9	7	0	25	6	111	4	0	121	3	5	7	0	15	412
07:45 AM	21	231	24	0	276	7	14	5	0	26	11	119	6	0	136	6	3	3	0	12	450
Total	54	813	76	0	943	37	35	27	0	99	32	372	18	0	422	16	19	17	0	52	1516
08:00 AM	19	203	22	0	244	11	8	9	0	28	6	108	7	0	121	8	1	8	0	17	410
08:15 AM	34	180	20	0	234	8	10	6	0	24	9	106	8	0	123	9	2	2	0	13	394
08:30 AM	19	185	25	0	229	7	8	9	0	24	12	96	3	0	111	7	14	7	0	28	392
08:45 AM	17	178	18	0	213	6	12	8	0	26	9	114	9	0	132	9	4	5	0	18	389
Total	89	746	85	0	920	32	38	32	0	102	36	424	27	0	487	33	21	22	0	76	1585
09:00 AM	17	162	17	0	196	17	11	14	0	42	11	94	7	0	112	11	14	15	0	40	390
09:15 AM	8	141	18	0	167	10	8	10	0	28	9	85	4	0	98	9	8	7	0	24	317
09:30 AM	13	164	19	0	196	9	7	10	0	26	3	74	13	1	91	15	10	5	0	30	343
09:45 AM	20	162	15	0	197	15	12	10	0	37	8	79	10	0	97	13	4	3	0	20	351
Total	58	629	69	0	756	51	38	44	0	133	31	332	34	1	398	48	36	30	0	114	1401
10:00 AM	12	143	24	0	179	13	9	9	0	31	10	75	7	0	92	16	5	7	0	28	330
10:15 AM	14	152	17	0	183	7	6	8	0	21	8	114	7	0	129	19	17	10	0	46	379
10:30 AM	14	161	22	0	197	4	8	12	0	24	9	97	12	0	118	17	7	5	0	29	368
10:45 AM	20	152	12	0	184	6	3	12	0	21	5	110	9	0	124	13	7	5	0	25	354
Total	60	608	75	0	743	30	26	41	0	97	32	396	35	0	463	65	36	27	0	128	1431
11:00 AM	6	165	15	1	187	15	13	8	0	36	17	118	9	0	144	20	9	9	0	38	405
11:15 AM	9	176	36	0	221	7	11	10	0	28	12	105	11	0	128	19	14	19	0	52	429
11:30 AM	14	164	22	0	200	16	10	6	0	32	13	105	8	0	126	23	21	9	0	53	411
11:45 AM	19	186	29	0	234	16	13	7	0	36	11	131	13	0	155	24	18	11	0	53	478
Total	48	691	102	1	842	54	47	31	0	132	53	459	41	0	553	86	62	48	0	196	1723
12:00 PM	10	166	13	0	189	8	10	12	0	30	8	147	13	0	168	23	16	8	0	47	434
12:15 PM	10	165	17	0	192	14	7	7	0	28	13	154	10	0	177	28	23	10	0	61	458
12:30 PM	15	185	29	1	230	11	13	15	0	39	13	146	8	0	167	22	15	22	0	59	495
12:45 PM	14	193	28	0	235	12	15	7	0	34	9	168	14	0	191	33	18	9	0	60	520
Total	49	709	87	1	846	45	45	41	0	131	43	615	45	0	703	106	72	49	0	227	1907
01:00 PM	7	176	18	0	201	9	9	11	0	29	8	165	11	0	184	28	14	11	0	53	467
01:15 PM	15	157	23	0	195	7	7	16	0	30	8	150	19	0	177	26	20	11	0	57	459
01:30 PM	11	159	26	0	196	8	9	8	0	25	11	170	10	0	191	30	13	15	0	58	470
01:45 PM	4	201	20	0	225	12	13	15	0	40	20	166	8	0	194	24	9	13	0	46	505
Total	37	693	87	0	817	36	38	50	0	124	47	651	48	0	746	108	56	50	0	214	1901
02:00 PM	14	191	13	0	218	13	4	10	0	27	5	186	8	0	199	34	16	18	0	68	512
02:15 PM	6	144	14	0	164	6	8	15	0	29	4	156	8	0	168	22	20	6	0	48	409
02:30 PM	11	174	22	0	207	16	14	12	0	42	7	177	7	0	191	27	16	7	0	50	490
02:45 PM	7	156	11	0	174	10	10	10	0	30	12	170	12	0	194	29	10	17	0	56	454
Total	38	665	60	0	763	45	36	47	0	128	28	689	35	0	752	112	62	48	0	222	1865
03:00 PM	3	172	7	0	182	15	7	16	0	38	17	231	13	0	261	33	20	8	0	61	542

ALLIANT ENGINEERING, INC.

733 S Marquette Ave #700, Minneapolis, MN 55402

MN 51 (Snelling Ave) & CR C2
 City: Roseville
 data by: Spack Solutions
 TURN MOVEMENT COUNT

File Name : MN 51 (Snelling Ave) & CR C2_2021
 Site Code : 3779747
 Start Date : 10/13/2021
 Page No : 2

Groups Printed- Cars - Trucks

Start Time	MN 51 (Snelling Ave) Southbound					CR C2 Westbound					MN 51 (Snelling Ave) Northbound					CR C2 Eastbound					Int. Total
	Left	Thru	Right	Peds	App. Total	Left	Thru	Right	Peds	App. Total	Left	Thru	Right	Peds	App. Total	Left	Thru	Right	Peds	App. Total	
03:15 PM	9	160	17	0	186	14	8	23	0	45	10	209	9	0	228	30	14	16	0	60	519
03:30 PM	13	198	12	0	223	5	6	14	0	25	3	236	16	0	255	39	18	14	0	71	574
03:45 PM	9	169	14	0	192	11	15	16	0	42	6	208	19	2	235	35	17	11	0	63	532
Total	34	699	50	0	783	45	36	69	0	150	36	884	57	2	979	137	69	49	0	255	2167
04:00 PM	13	210	12	0	235	24	23	23	0	70	7	279	13	0	299	39	15	11	0	65	669
04:15 PM	15	204	23	0	242	15	5	23	0	43	9	265	20	0	294	25	22	8	0	55	634
04:30 PM	11	226	22	0	259	16	10	22	0	48	9	241	26	0	276	35	28	17	0	80	663
04:45 PM	12	213	19	1	245	14	4	16	0	34	10	208	23	0	241	40	21	23	0	84	604
Total	51	853	76	1	981	69	42	84	0	195	35	993	82	0	1110	139	86	59	0	284	2570
05:00 PM	9	232	22	1	264	7	8	32	0	47	11	251	9	0	271	33	16	14	0	63	645
05:15 PM	15	252	16	0	283	7	12	13	0	32	13	233	10	1	257	28	16	10	0	54	626
05:30 PM	16	212	12	1	241	13	5	14	0	32	8	171	18	0	197	34	20	8	0	62	532
05:45 PM	13	175	15	0	203	12	8	15	0	35	11	180	18	0	209	29	16	13	0	58	505
Total	53	871	65	2	991	39	33	74	0	146	43	835	55	1	934	124	68	45	0	237	2308
06:00 PM	11	183	18	0	212	9	9	15	0	33	8	187	13	0	208	22	14	11	0	47	500
06:15 PM	23	196	20	0	239	11	9	14	0	34	13	172	19	0	204	25	15	14	0	54	531
06:30 PM	16	169	10	0	195	9	6	12	0	27	8	164	12	0	184	27	9	9	0	45	451
06:45 PM	18	123	12	0	153	10	12	20	0	42	8	155	13	0	176	14	13	9	0	36	407
Total	68	671	60	0	799	39	36	61	0	136	37	678	57	0	772	88	51	43	0	182	1889
Grand Total	665	9135	930	5	10735	549	465	610	0	1624	464	7520	542	4	8530	1067	643	491	0	2201	23090
Apprch %	6.2	85.1	8.7	0		33.8	28.6	37.6	0		5.4	88.2	6.4	0		48.5	29.2	22.3	0		
Total %	2.9	39.6	4	0	46.5	2.4	2	2.6	0	7	2	32.6	2.3	0	36.9	4.6	2.8	2.1	0	9.5	
Cars	655	8971	902	5	10533	530	451	590	0	1571	452	7374	515	4	8345	1047	611	462	0	2120	22569
% Cars	98.5	98.2	97	100	98.1	96.5	97	96.7	0	96.7	97.4	98.1	95	100	97.8	98.1	95	94.1	0	96.3	97.7
Trucks	10	164	28	0	202	19	14	20	0	53	12	146	27	0	185	20	32	29	0	81	521
% Trucks	1.5	1.8	3	0	1.9	3.5	3	3.3	0	3.3	2.6	1.9	5	0	2.2	1.9	5	5.9	0	3.7	2.3

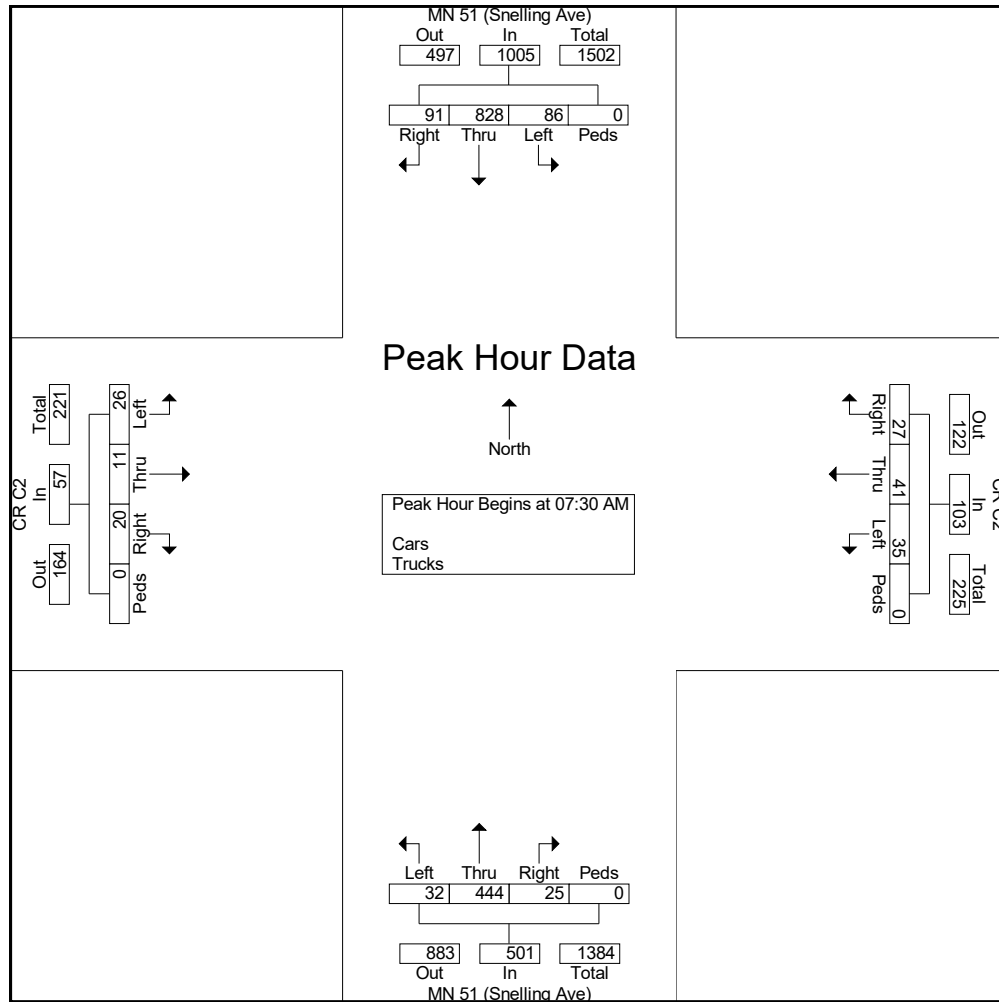
ALLIANT ENGINEERING, INC.

733 S Marquette Ave #700, Minneapolis, MN 55402

MN 51 (Snelling Ave) & CR C2
 City: Roseville
 data by: Spack Solutions
 TURN MOVEMENT COUNT

File Name : MN 51 (Snelling Ave) & CR C2_2021
 Site Code : 3779747
 Start Date : 10/13/2021
 Page No : 3

Start Time	MN 51 (Snelling Ave) Southbound					CR C2 Westbound					MN 51 (Snelling Ave) Northbound					CR C2 Eastbound					Int. Total
	Left	Thru	Right	Peds	App. Total	Left	Thru	Right	Peds	App. Total	Left	Thru	Right	Peds	App. Total	Left	Thru	Right	Peds	App. Total	
Peak Hour Analysis From 06:00 AM to 09:45 AM - Peak 1 of 1																					
Peak Hour for Entire Intersection Begins at 07:30 AM																					
07:30 AM	12	214	25	0	251	9	9	7	0	25	6	111	4	0	121	3	5	7	0	15	412
07:45 AM	21	231	24	0	276	7	14	5	0	26	11	119	6	0	136	6	3	3	0	12	450
08:00 AM	19	203	22	0	244	11	8	9	0	28	6	108	7	0	121	8	1	8	0	17	410
08:15 AM	34	180	20	0	234	8	10	6	0	24	9	106	8	0	123	9	2	2	0	13	394
Total Volume	86	828	91	0	1005	35	41	27	0	103	32	444	25	0	501	26	11	20	0	57	1666
% App. Total	8.6	82.4	9.1	0		34	39.8	26.2	0		6.4	88.6	5	0		45.6	19.3	35.1	0		
PHF	.632	.896	.910	.000	.910	.795	.732	.750	.000	.920	.727	.933	.781	.000	.921	.722	.550	.625	.000	.838	.926



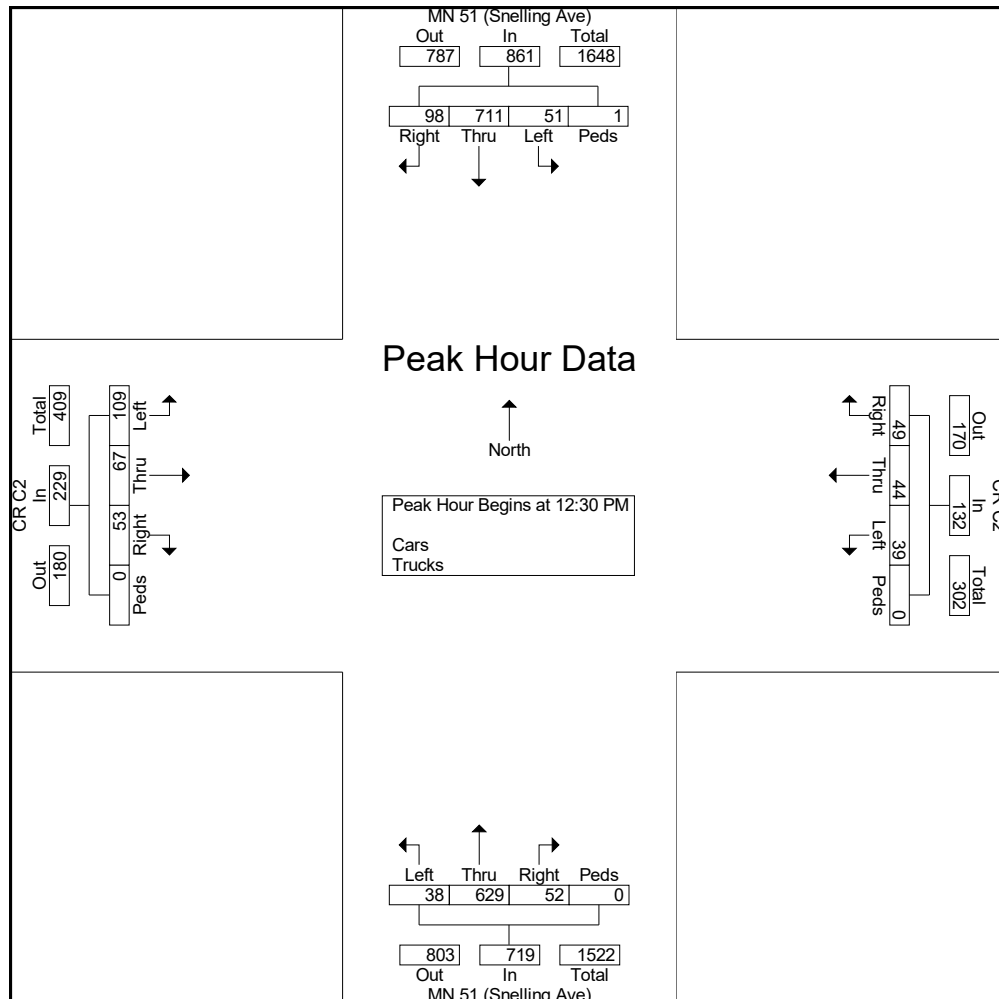
ALLIANT ENGINEERING, INC.

733 S Marquette Ave #700, Minneapolis, MN 55402

MN 51 (Snelling Ave) & CR C2
 City: Roseville
 data by: Spack Solutions
 TURN MOVEMENT COUNT

File Name : MN 51 (Snelling Ave) & CR C2_2021
 Site Code : 3779747
 Start Date : 10/13/2021
 Page No : 4

Start Time	MN 51 (Snelling Ave) Southbound					CR C2 Westbound					MN 51 (Snelling Ave) Northbound					CR C2 Eastbound					Int. Total
	Left	Thru	Right	Peds	App. Total	Left	Thru	Right	Peds	App. Total	Left	Thru	Right	Peds	App. Total	Left	Thru	Right	Peds	App. Total	
Peak Hour Analysis From 10:00 AM to 01:45 PM - Peak 1 of 1																					
Peak Hour for Entire Intersection Begins at 12:30 PM																					
12:30 PM	15	185	29	1	230	11	13	15	0	39	13	146	8	0	167	22	15	22	0	59	495
12:45 PM	14	193	28	0	235	12	15	7	0	34	9	168	14	0	191	33	18	9	0	60	520
01:00 PM	7	176	18	0	201	9	9	11	0	29	8	165	11	0	184	28	14	11	0	53	467
01:15 PM	15	157	23	0	195	7	7	16	0	30	8	150	19	0	177	26	20	11	0	57	459
Total Volume	51	711	98	1	861	39	44	49	0	132	38	629	52	0	719	109	67	53	0	229	1941
% App. Total	5.9	82.6	11.4	0.1		29.5	33.3	37.1	0		5.3	87.5	7.2	0		47.6	29.3	23.1	0		
PHF	.850	.921	.845	.250	.916	.813	.733	.766	.000	.846	.731	.936	.684	.000	.941	.826	.838	.602	.000	.954	.933



ALLIANT ENGINEERING, INC.

733 S Marquette Ave #700, Minneapolis, MN 55402

MN 51 (Snelling Ave) & CR C2
 City: Roseville
 data by: Spack Solutions
 TURN MOVEMENT COUNT

File Name : MN 51 (Snelling Ave) & CR C2_2021
 Site Code : 3779747
 Start Date : 10/13/2021
 Page No : 5

Start Time	MN 51 (Snelling Ave) Southbound					CR C2 Westbound					MN 51 (Snelling Ave) Northbound					CR C2 Eastbound					Int. Total
	Left	Thru	Right	Peds	App. Total	Left	Thru	Right	Peds	App. Total	Left	Thru	Right	Peds	App. Total	Left	Thru	Right	Peds	App. Total	
Peak Hour Analysis From 02:00 PM to 06:45 PM - Peak 1 of 1																					
Peak Hour for Entire Intersection Begins at 04:00 PM																					
04:00 PM	13	210	12	0	235	24	23	23	0	70	7	279	13	0	299	39	15	11	0	65	669
04:15 PM	15	204	23	0	242	15	5	23	0	43	9	265	20	0	294	25	22	8	0	55	634
04:30 PM	11	226	22	0	259	16	10	22	0	48	9	241	26	0	276	35	28	17	0	80	663
04:45 PM	12	213	19	1	245	14	4	16	0	34	10	208	23	0	241	40	21	23	0	84	604
Total Volume	51	853	76	1	981	69	42	84	0	195	35	993	82	0	1110	139	86	59	0	284	2570
% App. Total	5.2	87	7.7	0.1		35.4	21.5	43.1	0		3.2	89.5	7.4	0		48.9	30.3	20.8	0		
PHF	.850	.944	.826	.250	.947	.719	.457	.913	.000	.696	.875	.890	.788	.000	.928	.869	.768	.641	.000	.845	.960

