

# ALLIANT ENGINEERING, INC.

733 S Marquette Ave #700, Minneapolis, MN 55402

MN 51 (Snelling Ave) & Lydia Ave  
 City: Roseville  
 data by: Miovision  
 TURN MOVEMENT COUNT

File Name : MN 51 (Snelling Ave) & Lydia Ave\_2021  
 Site Code : 1735348  
 Start Date : 10/27/2021  
 Page No : 1

Groups Printed- Cars - Trucks

Start Time	MN 51 (Snelling Ave) Southbound					Lydia Ave Westbound					MN 51 (Snelling Ave) Northbound					Lydia Ave Eastbound					Int. Total
	Left	Thru	Right	Peds	App. Total	Left	Thru	Right	Peds	App. Total	Left	Thru	Right	Peds	App. Total	Left	Thru	Right	Peds	App. Total	
06:00 AM	4	91	12	0	107	1	4	0	0	5	8	29	1	0	38	6	3	3	0	12	162
06:15 AM	7	122	13	0	142	1	3	0	0	4	4	39	0	0	43	4	1	6	0	11	200
06:30 AM	4	146	11	0	161	3	2	2	0	7	2	65	3	0	70	1	2	7	0	10	248
06:45 AM	12	226	25	0	263	5	3	3	0	11	10	54	4	1	69	4	5	14	0	23	366
Total	27	585	61	0	673	10	12	5	0	27	24	187	8	1	220	15	11	30	0	56	976
07:00 AM	8	175	22	0	205	3	6	0	0	9	9	61	2	0	72	11	1	11	0	23	309
07:15 AM	10	197	36	0	243	7	6	4	0	17	12	84	1	0	97	3	7	15	0	25	382
07:30 AM	22	239	90	0	351	3	16	6	0	25	32	83	2	1	118	10	6	10	0	26	520
07:45 AM	17	274	64	0	355	4	14	4	0	22	22	150	2	2	176	12	10	13	0	35	588
Total	57	885	212	0	1154	17	42	14	0	73	75	378	7	3	463	36	24	49	0	109	1799
08:00 AM	15	204	54	1	274	1	14	3	0	18	16	89	1	1	107	5	7	19	1	32	431
08:15 AM	21	174	55	0	250	6	6	1	0	13	13	106	0	1	120	12	6	22	0	40	423
08:30 AM	20	204	55	0	279	2	10	2	0	14	22	85	1	3	111	9	7	22	1	39	443
08:45 AM	15	209	94	0	318	2	15	4	0	21	32	105	3	4	144	17	7	24	1	49	532
Total	71	791	258	1	1121	11	45	10	0	66	83	385	5	9	482	43	27	87	3	160	1829
09:00 AM	10	142	49	0	201	5	12	3	0	20	26	83	3	5	117	13	6	21	1	41	379
09:15 AM	12	175	22	0	209	1	6	1	0	8	9	93	2	1	105	9	8	19	0	36	358
*** BREAK ***																					
Total	22	317	71	0	410	6	18	4	0	28	35	176	5	6	222	22	14	40	1	77	737
*** BREAK ***																					
10:30 AM	9	167	21	0	197	1	4	2	0	7	10	101	2	3	116	16	7	23	2	48	368
10:45 AM	8	162	23	0	193	3	13	0	0	16	15	114	1	0	130	13	12	29	0	54	393
Total	17	329	44	0	390	4	17	2	0	23	25	215	3	3	246	29	19	52	2	102	761
11:00 AM	2	202	41	0	245	2	5	1	0	8	13	120	3	0	136	11	10	18	0	39	428
11:15 AM	11	205	26	0	242	2	13	2	0	17	20	116	4	2	142	22	17	29	1	69	470
11:30 AM	9	222	26	0	257	2	2	0	0	4	9	134	3	0	146	22	11	10	0	43	450
11:45 AM	6	218	27	0	251	1	15	1	0	17	15	175	3	2	195	15	12	13	1	41	504
Total	28	847	120	0	995	7	35	4	0	46	57	545	13	4	619	70	50	70	2	192	1852
12:00 PM	11	174	17	0	202	2	13	2	0	17	18	156	6	2	182	30	10	18	1	59	460
12:15 PM	11	198	41	0	250	2	8	2	0	12	27	168	7	1	203	21	12	18	0	51	516
12:30 PM	14	191	40	0	245	0	9	1	0	10	19	174	3	4	200	41	11	31	0	83	538
12:45 PM	11	206	21	0	238	1	12	2	1	16	8	183	5	1	197	24	9	20	0	53	504
Total	47	769	119	0	935	5	42	7	1	55	72	681	21	8	782	116	42	87	1	246	2018
*** BREAK ***																					
02:30 PM	12	189	24	0	225	5	4	3	0	12	18	221	5	0	244	24	16	20	0	60	541
02:45 PM	8	216	25	0	249	2	11	4	0	17	14	243	6	2	265	22	15	38	0	75	606
Total	20	405	49	0	474	7	15	7	0	29	32	464	11	2	509	46	31	58	0	135	1147
03:00 PM	8	167	30	0	205	7	8	3	0	18	26	270	9	2	307	50	17	37	0	104	634
03:15 PM	11	185	21	0	217	2	21	6	0	29	23	259	3	5	290	46	23	40	0	109	645
03:30 PM	13	138	20	0	171	5	8	2	0	15	28	272	6	2	308	36	19	22	0	77	571
03:45 PM	12	196	25	0	233	4	15	2	0	21	24	303	11	0	338	44	15	42	0	101	693
Total	44	686	96	0	826	18	52	13	0	83	101	1104	29	9	1243	176	74	141	0	391	2543
04:00 PM	16	180	22	0	218	2	14	3	0	19	26	268	6	3	303	44	11	33	0	88	628
04:15 PM	18	218	30	0	266	1	14	6	0	21	22	272	7	0	301	20	13	16	0	49	637
04:30 PM	16	240	30	0	286	6	8	4	0	18	23	275	9	8	315	44	24	26	1	95	714

# ALLIANT ENGINEERING, INC.

733 S Marquette Ave #700, Minneapolis, MN 55402

MN 51 (Snelling Ave) & Lydia Ave  
 City: Roseville  
 data by: Miovision  
 TURN MOVEMENT COUNT

File Name : MN 51 (Snelling Ave) & Lydia Ave\_2021  
 Site Code : 1735348  
 Start Date : 10/27/2021  
 Page No : 2

Groups Printed- Cars - Trucks

Start Time	MN 51 (Snelling Ave) Southbound					Lydia Ave Westbound					MN 51 (Snelling Ave) Northbound					Lydia Ave Eastbound					Int. Total
	Left	Thru	Right	Peds	App. Total	Left	Thru	Right	Peds	App. Total	Left	Thru	Right	Peds	App. Total	Left	Thru	Right	Peds	App. Total	
04:45 PM	20	229	23	0	272	4	8	2	0	14	39	265	5	1	310	45	16	49	1	111	707
Total	70	867	105	0	1042	13	44	15	0	72	110	1080	27	12	1229	153	64	124	2	343	2686
05:00 PM	16	200	30	0	246	2	15	4	0	21	26	282	4	4	316	42	17	34	0	93	676
05:15 PM	24	247	31	0	302	6	6	5	0	17	33	290	13	2	338	29	22	39	1	91	748
05:30 PM	21	213	23	0	257	4	7	0	0	11	19	212	8	1	240	38	19	32	0	89	597
05:45 PM	21	192	36	0	249	5	13	5	0	23	22	209	5	4	240	32	13	22	0	67	579
Total	82	852	120	0	1054	17	41	14	0	72	100	993	30	11	1134	141	71	127	1	340	2600
06:00 PM	11	159	23	0	193	2	12	2	0	16	20	207	7	1	235	29	10	20	1	60	504
06:15 PM	18	209	20	0	247	4	10	1	0	15	12	172	8	1	193	22	12	22	0	56	511
Grand Total	514	7701	1298	1	9514	121	385	98	1	605	746	6587	174	70	7577	898	449	907	13	2267	19963
Apprch %	5.4	80.9	13.6	0		20	63.6	16.2	0.2		9.8	86.9	2.3	0.9		39.6	19.8	40	0.6		
Total %	2.6	38.6	6.5	0	47.7	0.6	1.9	0.5	0	3	3.7	33	0.9	0.4	38	4.5	2.2	4.5	0.1	11.4	
Cars	490	7510	1274	1	9275	119	368	85	0	572	735	6409	172	4	7320	888	434	901	0	2223	19390
% Cars	95.3	97.5	98.2	100	97.5	98.3	95.6	86.7	0	94.5	98.5	97.3	98.9	5.7	96.6	98.9	96.7	99.3	0	98.1	97.1
Trucks	24	191	24	0	239	2	17	13	1	33	11	178	2	66	257	10	15	6	13	44	573
% Trucks	4.7	2.5	1.8	0	2.5	1.7	4.4	13.3	100	5.5	1.5	2.7	1.1	94.3	3.4	1.1	3.3	0.7	100	1.9	2.9

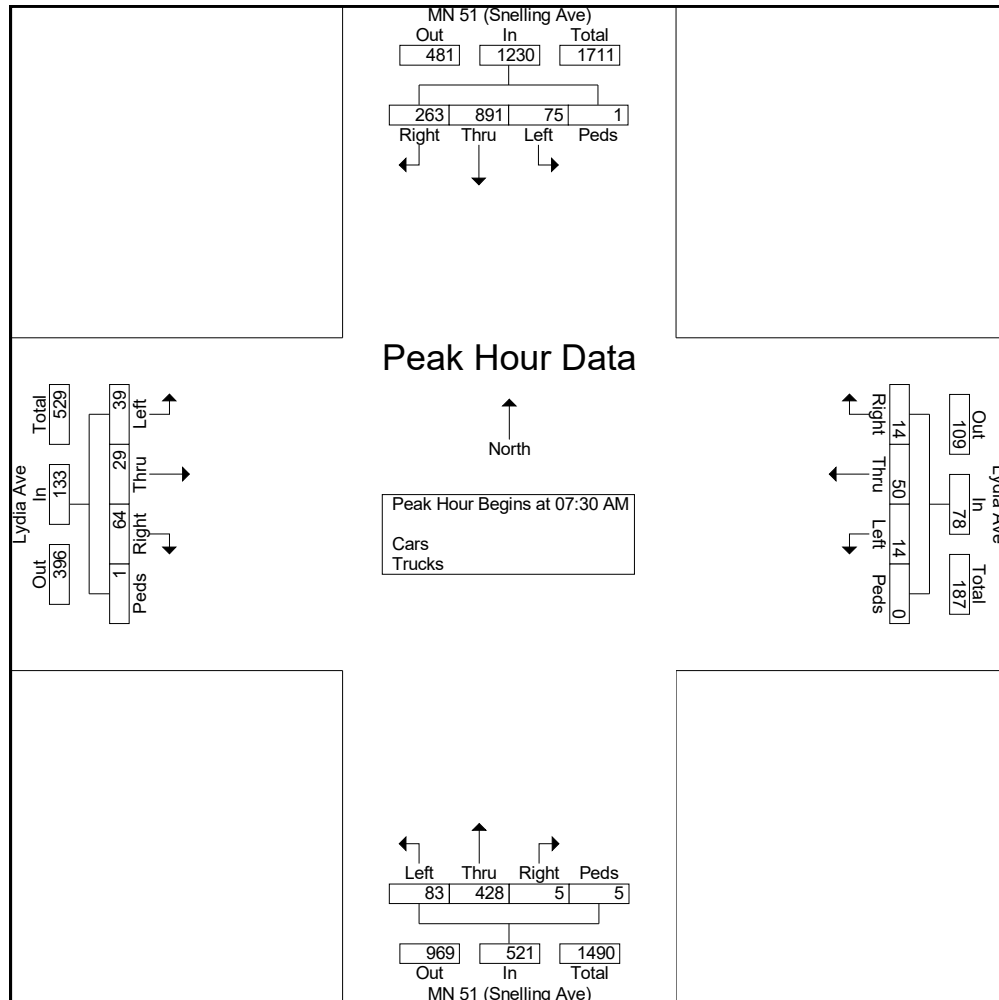
# ALLIANT ENGINEERING, INC.

733 S Marquette Ave #700, Minneapolis, MN 55402

MN 51 (Snelling Ave) & Lydia Ave  
 City: Roseville  
 data by: Miovision  
 TURN MOVEMENT COUNT

File Name : MN 51 (Snelling Ave) & Lydia Ave\_2021  
 Site Code : 1735348  
 Start Date : 10/27/2021  
 Page No : 3

Start Time	MN 51 (Snelling Ave) Southbound					Lydia Ave Westbound					MN 51 (Snelling Ave) Northbound					Lydia Ave Eastbound					Int. Total
	Left	Thru	Right	Peds	App. Total	Left	Thru	Right	Peds	App. Total	Left	Thru	Right	Peds	App. Total	Left	Thru	Right	Peds	App. Total	
Peak Hour Analysis From 06:00 AM to 09:45 AM - Peak 1 of 1																					
Peak Hour for Entire Intersection Begins at 07:30 AM																					
07:30 AM	22	239	90	0	351	3	16	6	0	25	32	83	2	1	118	10	6	10	0	26	520
07:45 AM	17	274	64	0	355	4	14	4	0	22	22	150	2	2	176	12	10	13	0	35	588
08:00 AM	15	204	54	1	274	1	14	3	0	18	16	89	1	1	107	5	7	19	1	32	431
08:15 AM	21	174	55	0	250	6	6	1	0	13	13	106	0	1	120	12	6	22	0	40	423
Total Volume	75	891	263	1	1230	14	50	14	0	78	83	428	5	5	521	39	29	64	1	133	1962
% App. Total	6.1	72.4	21.4	0.1		17.9	64.1	17.9	0		15.9	82.1	1	1		29.3	21.8	48.1	0.8		
PHF	.852	.813	.731	.250	.866	.583	.781	.583	.000	.780	.648	.713	.625	.625	.740	.813	.725	.727	.250	.831	.834



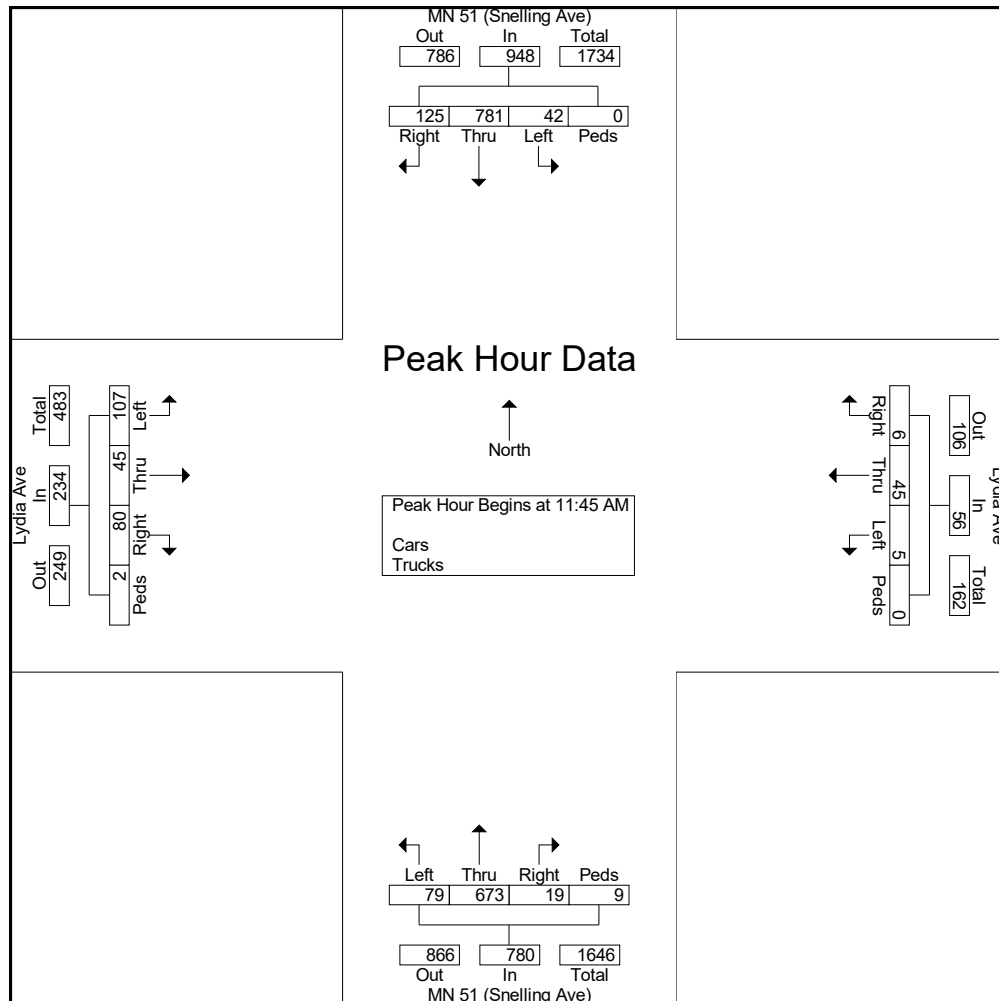
# ALLIANT ENGINEERING, INC.

733 S Marquette Ave #700, Minneapolis, MN 55402

MN 51 (Snelling Ave) & Lydia Ave  
 City: Roseville  
 data by: Miovision  
 TURN MOVEMENT COUNT

File Name : MN 51 (Snelling Ave) & Lydia Ave\_2021  
 Site Code : 1735348  
 Start Date : 10/27/2021  
 Page No : 4

Start Time	MN 51 (Snelling Ave) Southbound					Lydia Ave Westbound					MN 51 (Snelling Ave) Northbound					Lydia Ave Eastbound					Int. Total
	Left	Thru	Right	Peds	App. Total	Left	Thru	Right	Peds	App. Total	Left	Thru	Right	Peds	App. Total	Left	Thru	Right	Peds	App. Total	
Peak Hour Analysis From 10:00 AM to 01:45 PM - Peak 1 of 1																					
Peak Hour for Entire Intersection Begins at 11:45 AM																					
11:45 AM	6	218	27	0	251	1	15	1	0	17	15	175	3	2	195	15	12	13	1	41	504
12:00 PM	11	174	17	0	202	2	13	2	0	17	18	156	6	2	182	30	10	18	1	59	460
12:15 PM	11	198	41	0	250	2	8	2	0	12	27	168	7	1	203	21	12	18	0	51	516
12:30 PM	14	191	40	0	245	0	9	1	0	10	19	174	3	4	200	41	11	31	0	83	538
Total Volume	42	781	125	0	948	5	45	6	0	56	79	673	19	9	780	107	45	80	2	234	2018
% App. Total	4.4	82.4	13.2	0		8.9	80.4	10.7	0		10.1	86.3	2.4	1.2		45.7	19.2	34.2	0.9		
PHF	.750	.896	.762	.000	.944	.625	.750	.750	.000	.824	.731	.961	.679	.563	.961	.652	.938	.645	.500	.705	.938



# ALLIANT ENGINEERING, INC.

733 S Marquette Ave #700, Minneapolis, MN 55402

MN 51 (Snelling Ave) & Lydia Ave  
 City: Roseville  
 data by: Miovision  
 TURN MOVEMENT COUNT

File Name : MN 51 (Snelling Ave) & Lydia Ave\_2021  
 Site Code : 1735348  
 Start Date : 10/27/2021  
 Page No : 5

Start Time	MN 51 (Snelling Ave) Southbound					Lydia Ave Westbound					MN 51 (Snelling Ave) Northbound					Lydia Ave Eastbound					Int. Total
	Left	Thru	Right	Peds	App. Total	Left	Thru	Right	Peds	App. Total	Left	Thru	Right	Peds	App. Total	Left	Thru	Right	Peds	App. Total	
Peak Hour Analysis From 02:00 PM to 06:15 PM - Peak 1 of 1																					
Peak Hour for Entire Intersection Begins at 04:30 PM																					
04:30 PM	16	240	30	0	286	6	8	4	0	18	23	275	9	8	315	44	24	26	1	95	714
04:45 PM	20	229	23	0	272	4	8	2	0	14	39	265	5	1	310	45	16	49	1	111	707
05:00 PM	16	200	30	0	246	2	15	4	0	21	26	282	4	4	316	42	17	34	0	93	676
05:15 PM	24	247	31	0	302	6	6	5	0	17	33	290	13	2	338	29	22	39	1	91	748
Total Volume	76	916	114	0	1106	18	37	15	0	70	121	1112	31	15	1279	160	79	148	3	390	2845
% App. Total	6.9	82.8	10.3	0		25.7	52.9	21.4	0		9.5	86.9	2.4	1.2		41	20.3	37.9	0.8		
PHF	.792	.927	.919	.000	.916	.750	.617	.750	.000	.833	.776	.959	.596	.469	.946	.889	.823	.755	.750	.878	.951

