



MINNESOTA DEPT OF TRANSPORTATION

TRAFFIC COLLECTION - METRO

Location: TH-55 AT GENERAL SIEBEN DR **BLIND** : TH 55 AT GEN SEIBEN DR ampm 218+00.423 2006
 REF.PT: 218+00.423 Site Code : 00000000
 JAMAR#632\DR Start Date : 1/25/2006
 TURN MOVEMENT COUNT Page No : 1

Groups Printed- Cars & Trucks

Start Time	GENERAL SIEBEN DR Southbound				TH 55 Westbound				GENERAL SIEBEN DR Northbound				TH 55 Eastbound				Int. Total
	Left	Thru	Right	Peds	Left	Thru	Right	Peds	Left	Thru	Right	Peds	Left	Thru	Right	Peds	
06:00	9	5	14	0	6	164	5	0	35	11	3	0	5	14	4	0	275
06:15	7	6	19	0	4	181	7	0	50	5	6	0	6	27	2	0	320
06:30	7	12	25	0	8	216	18	0	61	14	4	0	15	29	3	0	412
06:45	11	18	20	0	24	157	41	0	53	38	3	0	20	45	5	0	435
Total	34	41	78	0	42	718	71	0	199	68	16	0	46	115	14	0	1442
07:00	10	20	26	0	8	189	37	0	66	46	9	0	18	50	5	0	484
07:15	23	21	32	0	17	208	78	0	64	127	13	0	24	52	12	0	671
07:30	53	66	33	0	7	210	93	0	98	205	16	0	38	48	3	0	870
07:45	17	26	28	0	11	161	31	0	40	63	14	0	43	65	7	0	506
Total	103	133	119	0	43	768	239	0	268	441	52	0	123	215	27	0	2531
08:00	17	16	24	0	8	119	17	0	39	36	11	0	32	49	5	0	373
08:15	9	11	19	0	10	102	21	0	31	33	7	0	36	53	5	0	337
08:30	10	10	15	0	20	94	29	0	16	29	4	0	47	48	6	0	328
08:45	10	20	12	0	14	71	28	0	27	21	13	0	39	47	3	0	305
Total	46	57	70	0	52	386	95	0	113	119	35	0	154	197	19	0	1343
15:00	38	47	14	0	22	57	27	0	14	27	23	0	24	103	14	0	410
15:15	33	44	22	0	29	73	29	0	11	22	41	0	26	127	23	0	480
15:30	49	66	22	0	21	86	35	0	11	21	28	0	27	117	20	0	503
15:45	53	37	19	0	31	82	27	0	15	34	27	0	26	161	43	0	555
Total	173	194	77	0	103	298	118	0	51	104	119	0	103	508	100	0	1948
16:00	38	64	34	0	36	71	17	0	22	20	23	0	25	135	45	0	530
16:15	40	73	27	2	39	62	28	0	28	28	43	0	27	142	50	0	589
16:30	32	92	38	0	31	76	34	0	27	27	32	0	36	194	54	0	673
16:45	47	65	21	0	32	74	42	0	14	57	36	0	35	182	44	0	649
Total	157	294	120	2	138	283	121	0	91	132	134	0	123	653	193	0	2441
17:00	51	43	26	0	52	92	28	0	18	32	28	0	35	160	55	0	620
17:15	42	80	13	0	37	93	27	0	15	41	42	0	41	175	50	0	656
17:30	37	51	12	0	48	65	28	0	18	44	47	0	30	172	61	0	613
17:45	35	41	6	0	39	55	46	0	12	33	45	0	22	102	46	0	482
Total	165	215	57	0	176	305	129	0	63	150	162	0	128	609	212	0	2371
Grand Total	678	934	521	2	554	2758	773	0	785	1014	518	0	677	2297	565	0	12076
Apprch %	31.8	43.7	24.4	0.1	13.6	67.5	18.9	0	33.9	43.8	22.4	0	19.1	64.9	16	0	
Total %	5.6	7.7	4.3	0	4.6	22.8	6.4	0	6.5	8.4	4.3	0	5.6	19	4.7	0	

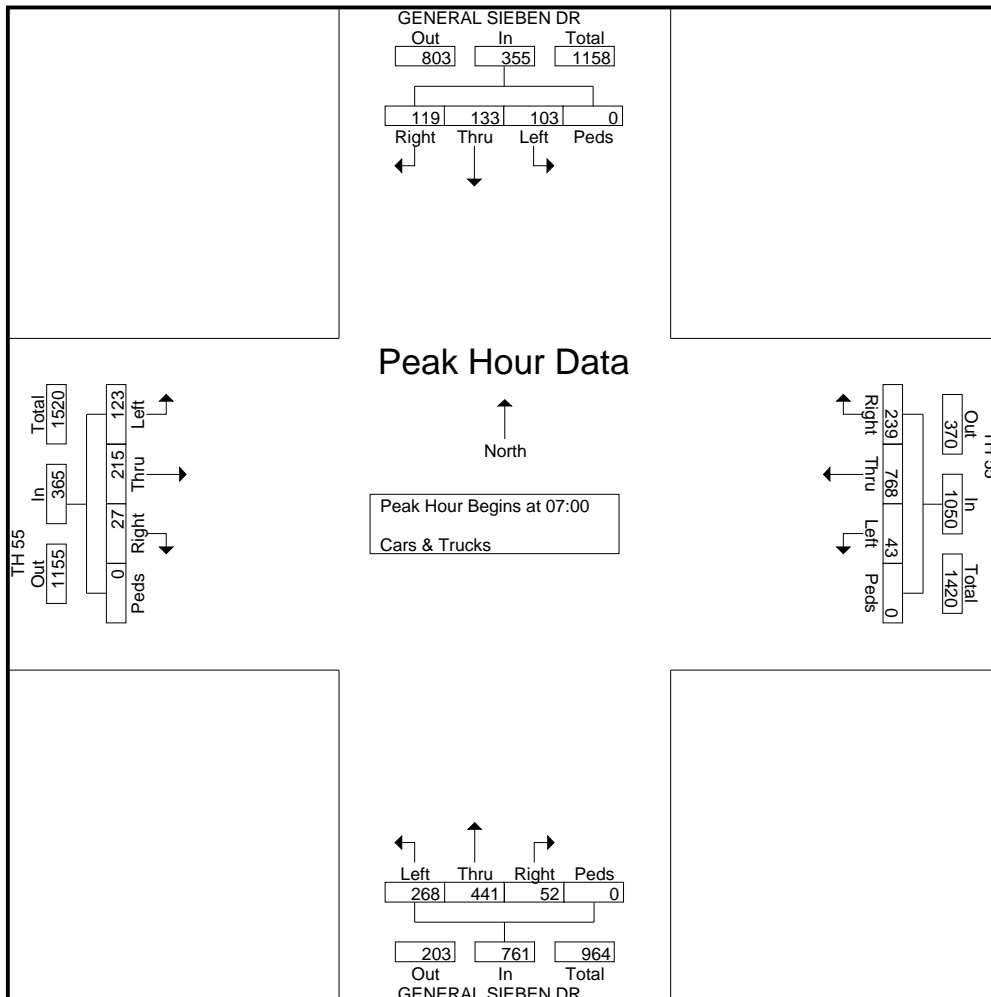


MINNESOTA DEPT OF TRANSPORTATION

TRAFFIC COLLECTION - METRO

Location: TH-55 AT GENERAL SIEBEN DR **Site Name** : TH 55 AT GEN SEIBEN DR ampm 218+00.423 2006
 REF.PT: 218+00.423 **Site Code** : 00000000
 JAMAR#632\DR **Start Date** : 1/25/2006
 TURN MOVEMENT COUNT **Page No** : 2

Start Time	GENERAL SIEBEN DR Southbound					TH 55 Westbound					GENERAL SIEBEN DR Northbound					TH 55 Eastbound					Int. Total
	Left	Thru	Right	Peds	App. Total	Left	Thru	Right	Peds	App. Total	Left	Thru	Right	Peds	App. Total	Left	Thru	Right	Peds	App. Total	
Peak Hour Analysis From 06:00 to 08:45 - Peak 1 of 1																					
Peak Hour for Entire Intersection Begins at 07:00																					
07:00	10	20	26	0	56	8	189	37	0	234	66	46	9	0	121	18	50	5	0	73	484
07:15	23	21	32	0	76	17	208	78	0	303	64	127	13	0	204	24	52	12	0	88	671
07:30	53	66	33	0	152	7	210	93	0	310	98	205	16	0	319	38	48	3	0	89	870
07:45	17	26	28	0	71	11	161	31	0	203	40	63	14	0	117	43	65	7	0	115	506
Total Volume	103	133	119	0	355	43	768	239	0	1050	268	441	52	0	761	123	215	27	0	365	2531
% App. Total	29	37.5	33.5	0		4.1	73.1	22.8	0		35.2	58	6.8	0		33.7	58.9	7.4	0		
PHF	.486	.504	.902	.000	.584	.632	.914	.642	.000	.847	.684	.538	.813	.000	.596	.715	.827	.563	.000	.793	.727





MINNESOTA DEPT OF TRANSPORTATION

TRAFFIC COLLECTION - METRO

Location: TH-55 AT GENERAL SIEBEN DR **BLVD** : TH 55 AT GEN SEIBEN DR ampm 218+00.423 2006
 REF.PT: 218+00.423 Site Code : 00000000
 JAMAR#632\DR Start Date : 1/25/2006
 TURN MOVEMENT COUNT Page No : 3

Start Time	GENERAL SIEBEN DR Southbound					TH 55 Westbound					GENERAL SIEBEN DR Northbound					TH 55 Eastbound					Int. Total
	Left	Thru	Right	Peds	App. Total	Left	Thru	Right	Peds	App. Total	Left	Thru	Right	Peds	App. Total	Left	Thru	Right	Peds	App. Total	
Peak Hour Analysis From 15:00 to 17:45 - Peak 1 of 1																					
Peak Hour for Entire Intersection Begins at 16:30																					
16:30	32	92	38	0	162	31	76	34	0	141	27	27	32	0	86	36	194	54	0	284	673
16:45	47	65	21	0	133	32	74	42	0	148	14	57	36	0	107	35	182	44	0	261	649
17:00	51	43	26	0	120	52	92	28	0	172	18	32	28	0	78	35	160	55	0	250	620
17:15	42	80	13	0	135	37	93	27	0	157	15	41	42	0	98	41	175	50	0	266	656
Total Volume	172	280	98	0	550	152	335	131	0	618	74	157	138	0	369	147	711	203	0	1061	2598
% App. Total	31.3	50.9	17.8	0		24.6	54.2	21.2	0		20.1	42.5	37.4	0		13.9	67	19.1	0		
PHF	.843	.761	.645	.000	.849	.731	.901	.780	.000	.898	.685	.689	.821	.000	.862	.896	.916	.923	.000	.934	.965

