



MINNESOTA DEPT OF TRANSPORTATION

TRAFFIC DATA COLLECTION - METRO

Location: TH 55 @ WESTVIEW RD 2006 File Name : TH 55 @ WESTVIEW RD AM PM NOON 2006
 REF. PT.: 219+00.141 Site Code : 00000000
 Jamar# 1358/MAR Start Date : 2/2/2006
 TURN MOVEMENT COUNT Page No : 1

Groups Printed- Cars & Trucks

Start Time	WESTVIEW RD Southbound					TH 55 Westbound					WESTVIEW RD Northbound					TH 55 Eastbound					Int. Total
	Left	Thru	Right	Peds	App. Total	Left	Thru	Right	Peds	App. Total	Left	Thru	Right	Peds	App. Total	Left	Thru	Right	Peds	App. Total	
06:00	1	3	0	0	4	9	131	4	0	144	6	2	3	0	11	0	34	0	0	34	193
06:15	2	0	1	0	3	8	175	5	0	188	7	0	2	0	9	1	31	2	0	34	234
06:30	6	1	2	0	9	8	184	3	0	195	8	3	10	0	21	3	50	1	0	54	279
06:45	8	3	2	0	13	16	174	9	0	199	11	6	13	0	30	0	50	3	0	53	295
Total	17	7	5	0	29	41	664	21	0	726	32	11	28	0	71	4	165	6	0	175	1001
07:00	6	4	1	0	11	19	168	8	0	195	7	9	8	0	24	2	73	4	0	79	309
07:15	3	8	2	1	14	13	198	35	0	246	8	18	15	0	41	1	94	6	0	101	402
07:30	15	13	0	0	28	14	205	39	0	258	9	20	22	0	51	1	89	5	0	95	432
07:45	8	8	0	0	16	16	147	26	0	189	8	10	26	0	44	6	89	7	0	102	351
Total	32	33	3	1	69	62	718	108	0	888	32	57	71	0	160	10	345	22	0	377	1494
08:00	3	3	1	0	7	17	87	9	0	113	5	5	16	0	26	2	52	4	0	58	204
08:15	9	11	4	0	24	12	92	10	0	114	9	6	19	0	34	0	48	3	0	51	223
08:30	8	7	1	0	16	19	122	20	0	161	9	14	15	0	38	0	55	10	0	65	280
08:45	7	8	5	0	20	30	121	13	0	164	6	11	25	0	42	1	70	1	0	72	298
Total	27	29	11	0	67	78	422	52	0	552	29	36	75	0	140	3	225	18	0	246	1005
11:00	15	8	6	0	29	22	78	14	0	114	7	7	20	0	34	5	89	6	0	100	277
11:15	9	16	2	0	27	24	71	16	0	111	4	13	19	0	36	7	90	8	0	105	279
11:30	14	7	6	0	27	40	91	11	0	142	6	9	23	1	39	1	66	7	0	74	282
11:45	14	19	9	0	42	23	83	10	0	116	3	19	25	0	47	3	100	9	0	112	317
Total	52	50	23	0	125	109	323	51	0	483	20	48	87	1	156	16	345	30	0	391	1155
12:00	15	14	8	0	37	44	109	14	0	167	4	13	36	0	53	6	98	8	0	112	369
12:15	12	19	7	0	38	27	101	23	0	151	7	15	43	0	65	6	99	9	0	114	368
12:30	14	25	7	0	46	17	106	16	0	139	5	15	26	0	46	6	93	5	0	104	335
12:45	25	17	5	0	47	23	93	9	0	125	12	13	30	0	55	6	106	10	0	122	349
Total	66	75	27	0	168	111	409	62	0	582	28	56	135	0	219	24	396	32	0	452	1421
14:30	17	14	1	0	32	19	114	19	0	152	3	14	33	0	50	4	138	8	0	150	384
14:45	13	17	6	0	36	22	108	27	1	158	9	13	40	3	65	5	119	6	0	130	389
Total	30	31	7	0	68	41	222	46	1	310	12	27	73	3	115	9	257	14	0	280	773
15:00	24	8	3	0	35	27	105	24	0	156	4	10	26	0	40	12	121	7	0	140	371
15:15	14	16	5	0	35	28	136	19	0	183	8	15	18	0	41	5	135	16	0	156	415
15:30	22	16	0	0	38	29	114	14	0	157	9	6	30	0	45	5	187	19	0	211	451
15:45	11	13	5	0	29	28	120	18	1	167	5	13	21	0	39	5	183	9	0	197	432
Total	71	53	13	0	137	112	475	75	1	663	26	44	95	0	165	27	626	51	0	704	1669
16:00	17	25	3	0	45	17	114	11	0	142	6	19	26	0	51	10	162	17	0	189	427
16:15	22	18	4	0	44	21	111	15	0	147	4	10	26	0	40	9	157	20	0	186	417
16:30	25	21	8	0	54	23	110	15	0	148	14	5	33	0	52	5	200	10	0	215	469
16:45	18	20	10	0	48	28	114	12	0	154	8	18	34	0	60	9	166	18	0	193	455
Total	82	84	25	0	191	89	449	53	0	591	32	52	119	0	203	33	685	65	0	783	1768



MINNESOTA DEPT OF TRANSPORTATION

TRAFFIC DATA COLLECTION - METRO

File Name : TH 55 @ WESTVIEW RD AM PM NOON 2006

Site Code : 00000000

Start Date : 2/2/2006

Page No : 2

Groups Printed- Cars & Trucks

Start Time	WESTVIEW RD Southbound					TH 55 Westbound					WESTVIEW RD Northbound					TH 55 Eastbound					Int. Total
	Left	Thru	Right	Peds	App. Total	Left	Thru	Right	Peds	App. Total	Left	Thru	Right	Peds	App. Total	Left	Thru	Right	Peds	App. Total	
17:00	13	11	12	0	36	31	122	17	0	170	8	13	41	0	62	8	166	21	0	195	463
17:15	12	23	5	0	40	32	116	13	0	161	5	17	50	0	72	4	160	16	0	180	453
17:30	6	13	2	0	21	33	106	11	0	150	8	7	35	0	50	8	187	13	0	208	429
17:45	14	17	4	0	35	27	87	12	0	126	10	11	30	0	51	6	145	13	0	164	376
Total	45	64	23	0	132	123	431	53	0	607	31	48	156	0	235	26	658	63	0	747	1721
Grand Total	422	426	137	1	986	766	4113	521	2	5402	242	379	839	4	1464	152	3702	301	0	4155	12007
Apprch %	42.8	43.2	13.9	0.1		14.2	76.1	9.6	0		16.5	25.9	57.3	0.3		3.7	89.1	7.2	0		
Total %	3.5	3.5	1.1	0	8.2	6.4	34.3	4.3	0	4.5	2	3.2	7	0	12.2	1.3	30.8	2.5	0	34.6	

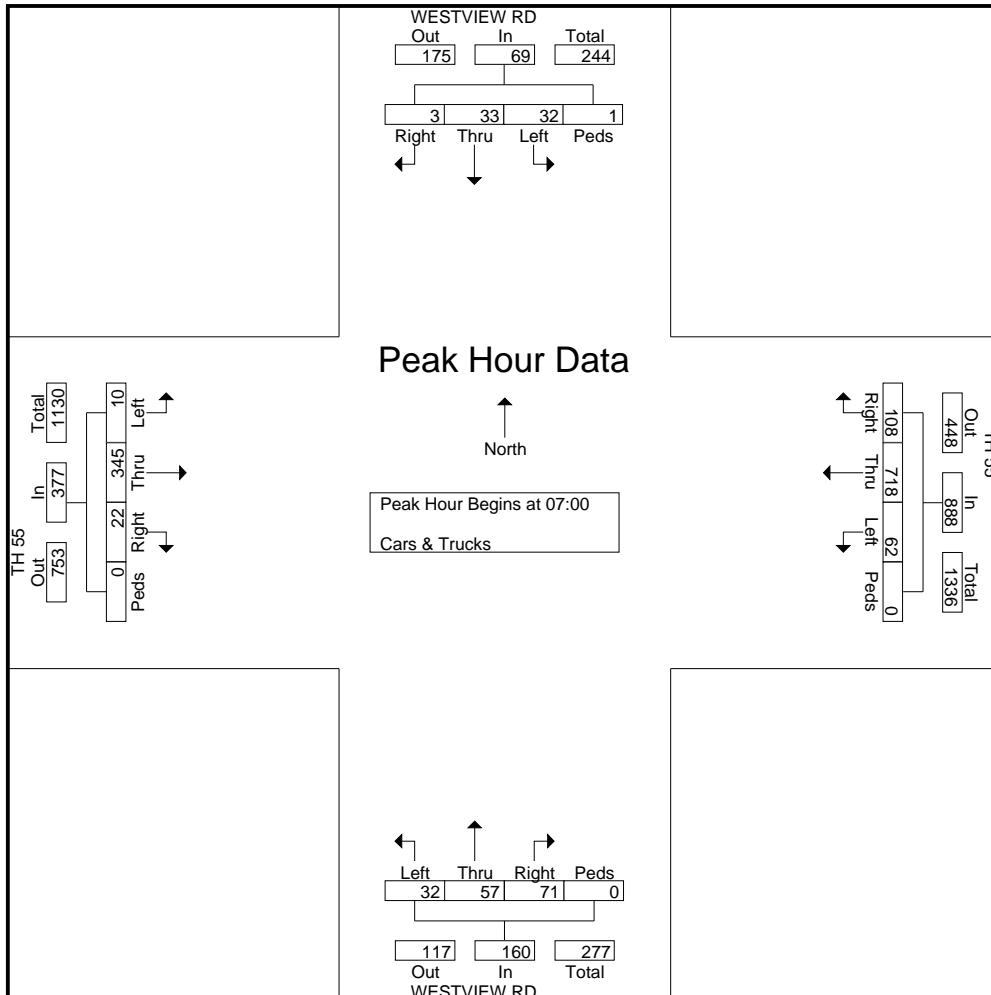


MINNESOTA DEPT OF TRANSPORTATION

TRAFFIC DATA COLLECTION - METRO

File Name : TH 55 @ WESTVIEW RD AM PM NOON 2006
 Site Code : 00000000
 Start Date : 2/2/2006
 Page No : 3

Start Time	WESTVIEW RD Southbound					TH 55 Westbound					WESTVIEW RD Northbound					TH 55 Eastbound					Int. Total
	Left	Thru	Right	Peds	App. Total	Left	Thru	Right	Peds	App. Total	Left	Thru	Right	Peds	App. Total	Left	Thru	Right	Peds	App. Total	
Peak Hour Analysis From 06:00 to 08:45 - Peak 1 of 1																					
Peak Hour for Entire Intersection Begins at 07:00																					
07:00	6	4	1	0	11	19	168	8	0	195	7	9	8	0	24	2	73	4	0	79	309
07:15	3	8	2	1	14	13	198	35	0	246	8	18	15	0	41	1	94	6	0	101	402
07:30	15	13	0	0	28	14	205	39	0	258	9	20	22	0	51	1	89	5	0	95	432
07:45	8	8	0	0	16	16	147	26	0	189	8	10	26	0	44	6	89	7	0	102	351
Total Volume	32	33	3	1	69	62	718	108	0	888	32	57	71	0	160	10	345	22	0	377	1494
% App. Total	46.4	47.8	4.3	1.4		7	80.9	12.2	0		20	35.6	44.4	0		2.7	91.5	5.8	0		
PHF	.533	.635	.375	.250	.616	.816	.876	.692	.000	.860	.889	.713	.683	.000	.784	.417	.918	.786	.000	.924	.865



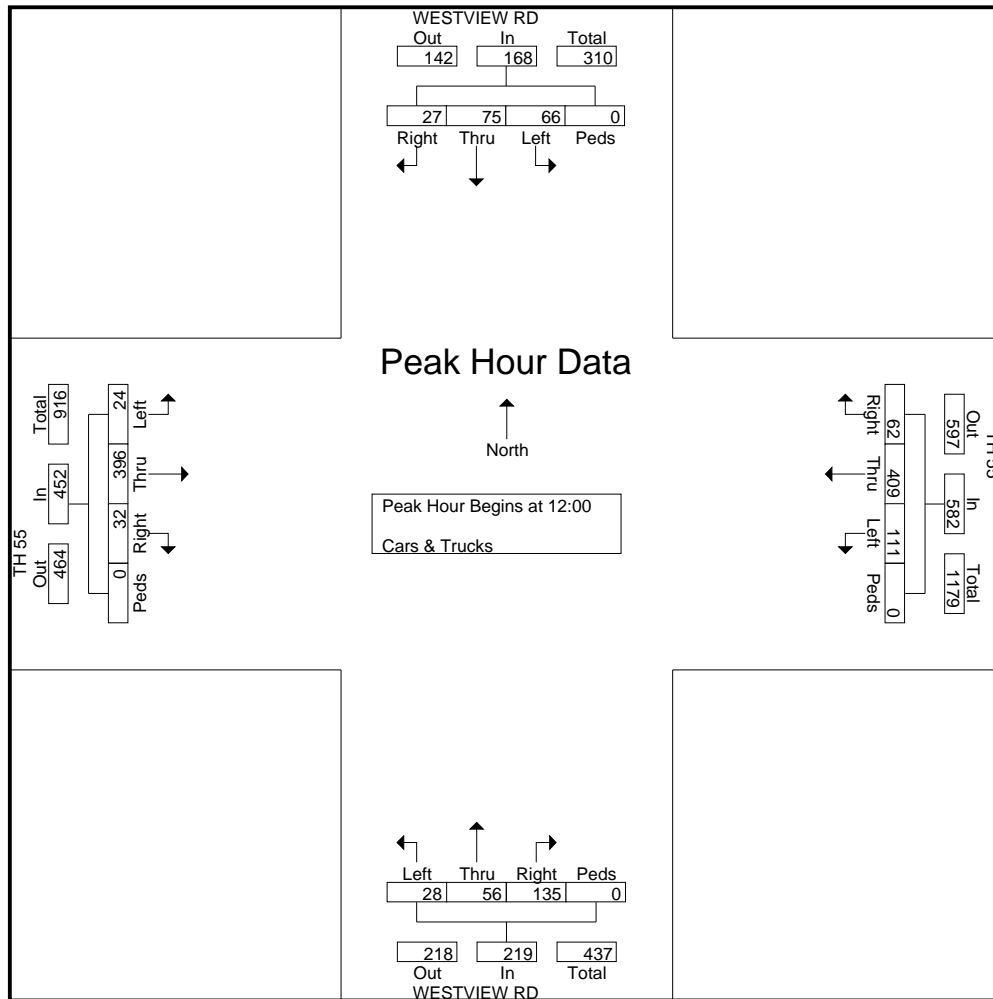


MINNESOTA DEPT OF TRANSPORTATION

TRAFFIC DATA COLLECTION - METRO

File Name : TH 55 @ WESTVIEW RD AM PM NOON 2006
 Site Code : 00000000
 Start Date : 2/2/2006
 Page No : 4

Start Time	WESTVIEW RD Southbound					TH 55 Westbound					WESTVIEW RD Northbound					TH 55 Eastbound					Int. Total
	Left	Thru	Right	Peds	App. Total	Left	Thru	Right	Peds	App. Total	Left	Thru	Right	Peds	App. Total	Left	Thru	Right	Peds	App. Total	
Peak Hour Analysis From 11:00 to 12:45 - Peak 1 of 1																					
Peak Hour for Entire Intersection Begins at 12:00																					
12:00	15	14	8	0	37	44	109	14	0	167	4	13	36	0	53	6	98	8	0	112	369
12:15	12	19	7	0	38	27	101	23	0	151	7	15	43	0	65	6	99	9	0	114	368
12:30	14	25	7	0	46	17	106	16	0	139	5	15	26	0	46	6	93	5	0	104	335
12:45	25	17	5	0	47	23	93	9	0	125	12	13	30	0	55	6	106	10	0	122	349
Total Volume	66	75	27	0	168	111	409	62	0	582	28	56	135	0	219	24	396	32	0	452	1421
% App. Total	39.3	44.6	16.1	0		19.1	70.3	10.7	0		12.8	25.6	61.6	0		5.3	87.6	7.1	0		
PHF	.660	.750	.844	.000	.894	.631	.938	.674	.000	.871	.583	.933	.785	.000	.842	1.000	.934	.800	.000	.926	.963





MINNESOTA DEPT OF TRANSPORTATION

TRAFFIC DATA COLLECTION - METRO

File Name : TH 55 @ WESTVIEW RD AM PM NOON 2006
 Site Code : 00000000
 Start Date : 2/2/2006
 Page No : 5

Start Time	WESTVIEW RD Southbound					TH 55 Westbound					WESTVIEW RD Northbound					TH 55 Eastbound					Int. Total
	Left	Thru	Right	Peds	App. Total	Left	Thru	Right	Peds	App. Total	Left	Thru	Right	Peds	App. Total	Left	Thru	Right	Peds	App. Total	
16:30	25	21	8	0	54	23	110	15	0	148	14	5	33	0	52	5	200	10	0	215	469
16:45	18	20	10	0	48	28	114	12	0	154	8	18	34	0	60	9	166	18	0	193	455
17:00	13	11	12	0	36	31	122	17	0	170	8	13	41	0	62	8	166	21	0	195	463
17:15	12	23	5	0	40	32	116	13	0	161	5	17	50	0	72	4	160	16	0	180	453
Total Volume	68	75	35	0	178	114	462	57	0	633	35	53	158	0	246	26	692	65	0	783	1840
% App. Total	38.2	42.1	19.7	0		18	73	9	0		14.2	21.5	64.2	0		3.3	88.4	8.3	0		
PHF	.680	.815	.729	.000	.824	.891	.947	.838	.000	.931	.625	.736	.790	.000	.854	.722	.865	.774	.000	.910	.981

Peak Hour Analysis From 14:30 to 17:45 - Peak 1 of 1
 Peak Hour for Entire Intersection Begins at 16:30

