



MINNESOTA DEPT OF TRANSPORTATION

TRAFFIC DATA COLLECTION - METRO

loc: th 65 @ 40th ave ne 2003
 ref pt: 004+00.510
 data collected by: alliant eng
 tmc: am noon pm

File Name : T.H. 65 at 40th
 Site Code : 00000000
 Start Date : 7/29/2003
 Page No : 1

Groups Printed- Unshifted

Start Time	T.H. 65 Southbound					40th Ave. NE Westbound					T.H. 65 Northbound					40th Ave. NE Eastbound					Int. Total
	Left	Thru	Right	Peds	App. Total	Left	Thru	Right	Peds	App. Total	Left	Thru	Right	Peds	App. Total	Left	Thru	Right	Peds	App. Total	
06:00	2	74	5	1	82	2	6	8	0	16	2	26	0	0	28	3	4	7	0	14	140
06:15	7	113	13	4	137	1	7	4	3	15	5	27	3	0	35	8	13	6	0	27	214
06:30	6	144	9	1	160	0	8	2	2	12	4	40	2	1	47	6	11	9	0	26	245
06:45	9	149	9	0	167	2	17	9	2	30	1	31	2	0	34	7	8	4	1	20	251
Total	24	480	36	6	546	5	38	23	7	73	12	124	7	1	144	24	36	26	1	87	850
07:00	9	159	9	1	178	1	23	6	1	31	3	52	0	0	55	6	14	4	1	25	289
07:15	12	188	12	1	213	5	14	8	4	31	6	64	2	2	74	7	14	13	2	36	354
07:30	9	184	11	0	204	3	17	9	0	29	7	65	2	0	74	14	16	11	0	41	348
07:45	10	167	20	0	197	0	18	8	1	27	9	73	2	0	84	10	20	11	2	43	351
Total	40	698	52	2	792	9	72	31	6	118	25	254	6	2	287	37	64	39	5	145	1342
08:00	7	120	10	1	138	2	9	10	1	22	7	61	2	0	70	12	14	3	1	30	260
08:15	5	125	19	1	150	5	11	6	0	22	5	71	3	1	80	11	13	12	0	36	288
08:30	11	108	24	3	146	2	14	21	1	38	8	66	5	1	80	10	12	12	1	35	299
08:45	14	111	17	2	144	1	14	16	4	35	12	81	4	0	97	18	17	15	0	50	326
Total	37	464	70	7	578	10	48	53	6	117	32	279	14	2	327	51	56	42	2	151	1173
11:00	21	101	19	1	142	4	29	17	2	52	9	96	15	2	122	32	21	13	3	69	385
11:15	10	125	31	1	167	8	21	15	1	45	15	119	11	3	148	37	24	9	2	72	432
11:30	22	119	25	3	169	7	31	17	1	56	8	118	10	2	138	34	20	9	3	66	429
11:45	11	108	22	7	148	9	27	14	9	59	11	125	10	1	147	40	20	18	4	82	436
Total	64	453	97	12	626	28	108	63	13	212	43	458	46	8	555	143	85	49	12	289	1682
12:00	22	144	22	6	194	7	19	9	1	36	21	130	9	2	162	26	26	4	3	59	451
12:15	18	128	23	4	173	9	29	19	3	60	11	136	13	6	166	37	22	13	3	75	474
12:30	21	157	26	4	208	4	22	22	5	53	19	133	13	2	167	33	28	16	2	79	507
12:45	16	142	26	0	184	9	28	22	2	61	16	117	8	1	142	34	21	12	7	74	461
Total	77	571	97	14	759	29	98	72	11	210	67	516	43	11	637	130	97	45	15	287	1893



MINNESOTA DEPT OF TRANSPORTATION

TRAFFIC DATA COLLECTION - METRO

File Name : T.H. 65 at 40th
 Site Code : 00000000
 Start Date : 7/29/2003
 Page No : 2

Groups Printed- Unshifted

Start Time	T.H. 65 Southbound					40th Ave. NE Westbound					T.H. 65 Northbound					40th Ave. NE Eastbound					Int. Total
	Left	Thru	Right	Peds	App. Total	Left	Thru	Right	Peds	App. Total	Left	Thru	Right	Peds	App. Total	Left	Thru	Right	Peds	App. Total	
15:00	13	89	17	3	122	10	27	23	7	67	14	138	10	3	165	26	26	19	4	75	429
15:15	22	133	20	7	182	6	31	22	9	68	12	165	8	3	188	36	23	14	0	73	511
15:30	16	110	26	10	162	4	35	32	7	78	18	172	8	2	200	51	38	15	1	105	545
15:45	14	121	25	4	164	0	10	27	7	44	16	160	6	7	189	22	18	13	1	54	451
Total	65	453	88	24	630	20	103	104	30	257	60	635	32	15	742	135	105	61	6	307	1936
16:00	14	116	18	6	154	1	19	19	8	47	21	148	9	3	181	21	19	3	2	45	427
16:15	18	114	17	6	155	9	24	29	1	63	17	191	8	10	226	36	22	10	8	76	520
16:30	23	122	13	6	164	1	27	16	5	49	13	178	9	9	209	41	33	3	1	78	500
16:45	26	128	26	2	182	2	29	35	5	71	13	218	10	2	243	18	26	7	1	52	548
Total	81	480	74	20	655	13	99	99	19	230	64	735	36	24	859	116	100	23	12	251	1995
17:00	7	98	13	1	119	10	28	38	3	79	15	188	11	5	219	30	39	8	4	81	498
17:15	7	114	21	1	143	3	21	32	0	56	9	176	15	0	200	41	37	4	5	87	486
17:30	13	146	17	1	177	7	33	29	2	71	11	183	8	3	205	28	29	9	3	69	522
17:45	15	131	19	7	172	11	17	32	10	70	9	170	13	0	192	23	16	5	2	46	480
Total	42	489	70	10	611	31	99	131	15	276	44	717	47	8	816	122	121	26	14	283	1986
Grand Total	430	4088	584	95	5197	145	665	576	107	1493	347	3718	231	71	4367	758	664	311	67	1800	12857
Apprch %	8.3	78.7	11.2	1.8		9.7	44.5	38.6	7.2		7.9	85.1	5.3	1.6		42.1	36.9	17.3	3.7		
Total %	3.3	31.8	4.5	0.7	40.4	1.1	5.2	4.5	0.8	11.6	2.7	28.9	1.8	0.6	34	5.9	5.2	2.4	0.5	14	

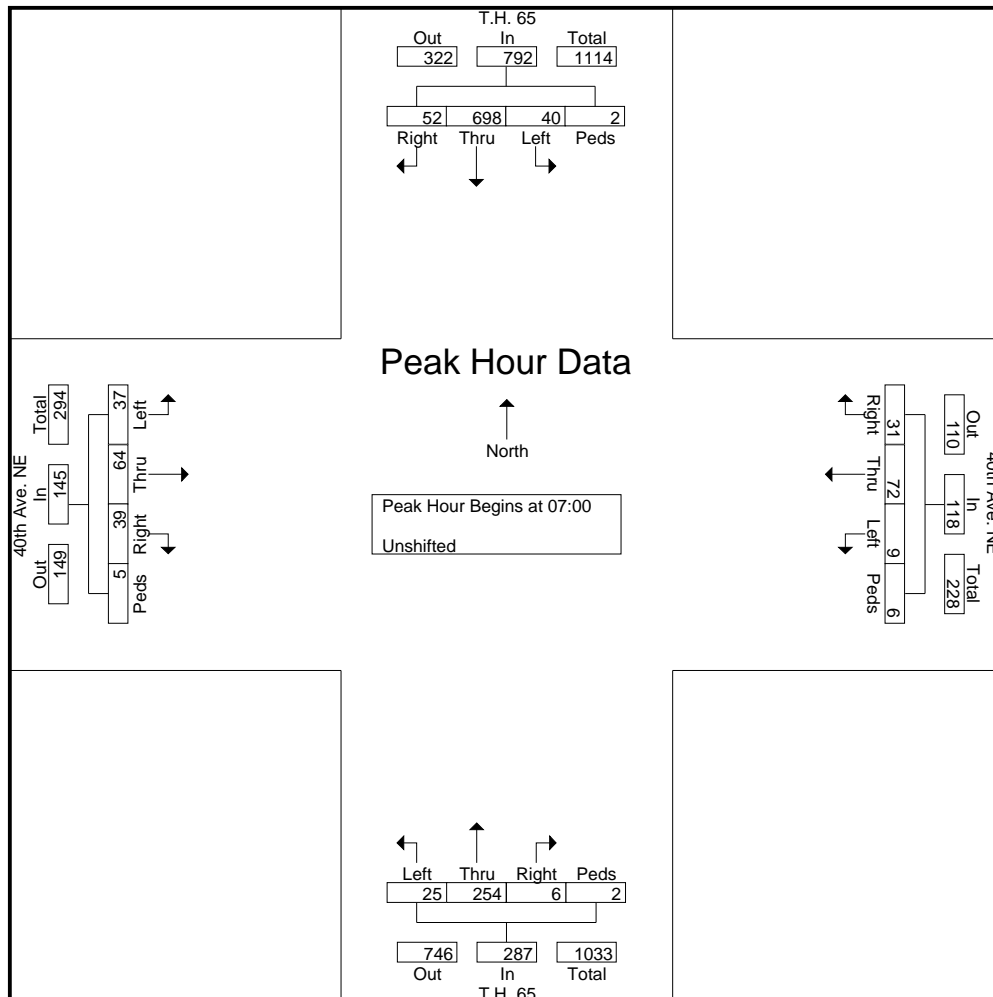


MINNESOTA DEPT OF TRANSPORTATION

TRAFFIC DATA COLLECTION - METRO

File Name : T.H. 65 at 40th
 Site Code : 00000000
 Start Date : 7/29/2003
 Page No : 3

Start Time	T.H. 65 Southbound					40th Ave. NE Westbound					T.H. 65 Northbound					40th Ave. NE Eastbound					Int. Total
	Left	Thru	Right	Peds	App. Total	Left	Thru	Right	Peds	App. Total	Left	Thru	Right	Peds	App. Total	Left	Thru	Right	Peds	App. Total	
Peak Hour Analysis From 06:00 to 09:45 - Peak 1 of 1																					
Peak Hour for Entire Intersection Begins at 07:00																					
07:00	9	159	9	1	178	1	23	6	1	31	3	52	0	0	55	6	14	4	1	25	289
07:15	12	188	12	1	213	5	14	8	4	31	6	64	2	2	74	7	14	13	2	36	354
07:30	9	184	11	0	204	3	17	9	0	29	7	65	2	0	74	14	16	11	0	41	348
07:45	10	167	20	0	197	0	18	8	1	27	9	73	2	0	84	10	20	11	2	43	351
Total Volume	40	698	52	2	792	9	72	31	6	118	25	254	6	2	287	37	64	39	5	145	1342
% App. Total	5.1	88.1	6.6	0.3		7.6	61	26.3	5.1		8.7	88.5	2.1	0.7		25.5	44.1	26.9	3.4		
PHF	.833	.928	.650	.500	.930	.450	.783	.861	.375	.952	.694	.870	.750	.250	.854	.661	.800	.750	.625	.843	.948



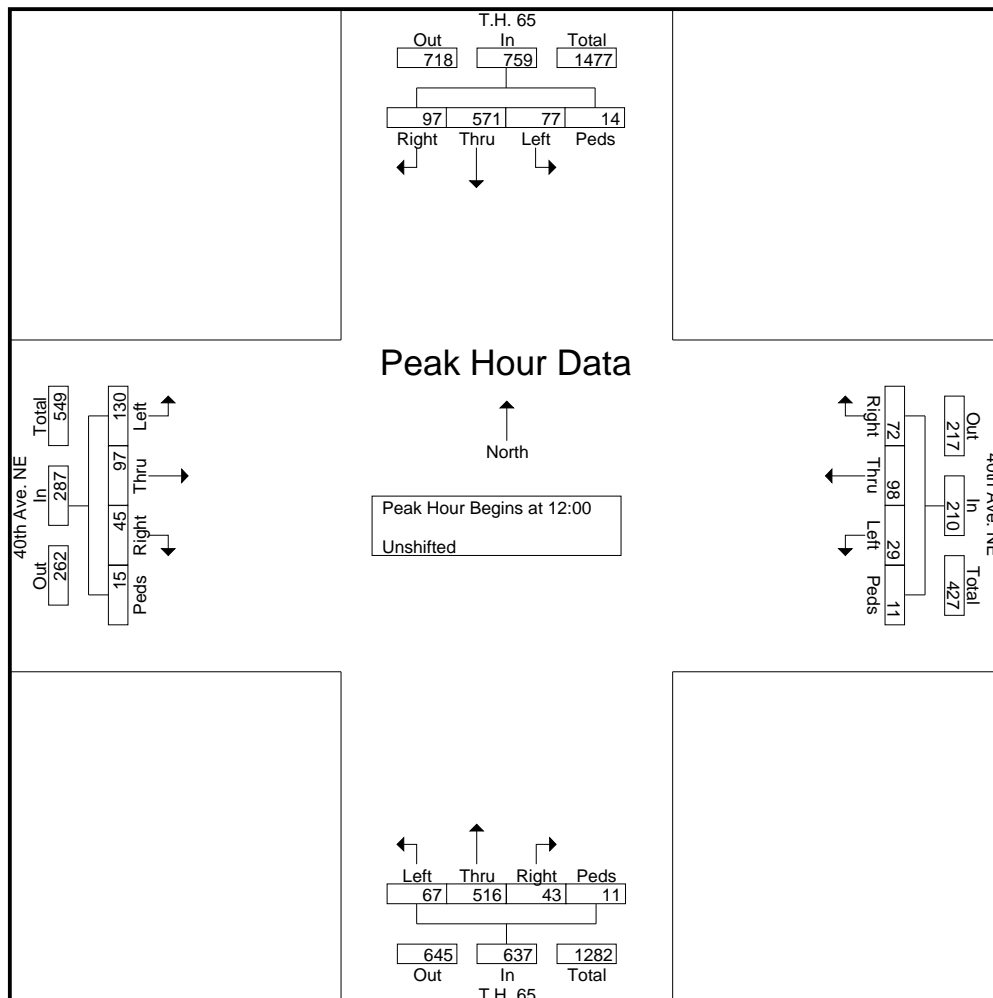


MINNESOTA DEPT OF TRANSPORTATION

TRAFFIC DATA COLLECTION - METRO

File Name : T.H. 65 at 40th
 Site Code : 00000000
 Start Date : 7/29/2003
 Page No : 4

Start Time	T.H. 65 Southbound					40th Ave. NE Westbound					T.H. 65 Northbound					40th Ave. NE Eastbound					Int. Total
	Left	Thru	Right	Peds	App. Total	Left	Thru	Right	Peds	App. Total	Left	Thru	Right	Peds	App. Total	Left	Thru	Right	Peds	App. Total	
Peak Hour Analysis From 10:00 to 13:45 - Peak 1 of 1																					
Peak Hour for Entire Intersection Begins at 12:00																					
12:00	22	144	22	6	194	7	19	9	1	36	21	130	9	2	162	26	26	4	3	59	451
12:15	18	128	23	4	173	9	29	19	3	60	11	136	13	6	166	37	22	13	3	75	474
12:30	21	157	26	4	208	4	22	22	5	53	19	133	13	2	167	33	28	16	2	79	507
12:45	16	142	26	0	184	9	28	22	2	61	16	117	8	1	142	34	21	12	7	74	461
Total Volume	77	571	97	14	759	29	98	72	11	210	67	516	43	11	637	130	97	45	15	287	1893
% App. Total	10.1	75.2	12.8	1.8		13.8	46.7	34.3	5.2		10.5	81	6.8	1.7		45.3	33.8	15.7	5.2		
PHF	.875	.909	.933	.583	.912	.806	.845	.818	.550	.861	.798	.949	.827	.458	.954	.878	.866	.703	.536	.908	.933





MINNESOTA DEPT OF TRANSPORTATION

TRAFFIC DATA COLLECTION - METRO

File Name : T.H. 65 at 40th
 Site Code : 00000000
 Start Date : 7/29/2003
 Page No : 5

Start Time	T.H. 65 Southbound					40th Ave. NE Westbound					T.H. 65 Northbound					40th Ave. NE Eastbound					Int. Total
	Left	Thru	Right	Peds	App. Total	Left	Thru	Right	Peds	App. Total	Left	Thru	Right	Peds	App. Total	Left	Thru	Right	Peds	App. Total	
Peak Hour Analysis From 14:00 to 17:45 - Peak 1 of 1																					
Peak Hour for Entire Intersection Begins at 16:15																					
16:15	18	114	17	6	155	9	24	29	1	63	17	191	8	10	226	36	22	10	8	76	520
16:30	23	122	13	6	164	1	27	16	5	49	13	178	9	9	209	41	33	3	1	78	500
16:45	26	128	26	2	182	2	29	35	5	71	13	218	10	2	243	18	26	7	1	52	548
17:00	7	98	13	1	119	10	28	38	3	79	15	188	11	5	219	30	39	8	4	81	498
Total Volume	74	462	69	15	620	22	108	118	14	262	58	775	38	26	897	125	120	28	14	287	2066
% App. Total	11.9	74.5	11.1	2.4		8.4	41.2	45	5.3		6.5	86.4	4.2	2.9		43.6	41.8	9.8	4.9		
PHF	.712	.902	.663	.625	.852	.550	.931	.776	.700	.829	.853	.889	.864	.650	.923	.762	.769	.700	.438	.886	.943

