



# Minnesota Dept. of Transportation

## Traffic Data Collection -Metro

TH-65 / CENTRAL AVE AT 49TH AVE NE  
 Ref.Pt; 005.632  
 Jamar # T-2638 CAH  
 TURN MOVEMENT COUNT

File Name : TH-65 AT 49TH AVE NE 2012  
 Site Code : 005.632  
 Start Date : 3/21/2012  
 Page No : 1

**Groups Printed- Unshifted**

Start Time	TH-65 / CENTRAL AVE Southbound				49TH AVE NE Westbound				TH-65 / CENTRAL AVE Northbound				49TH AVE NE Eastbound				Int. Total
	Right	Thru	Left	Peds	Right	Thru	Left	Peds	Right	Thru	Left	Peds	Right	Thru	Left	Peds	
06:00	9	89	2	0	8	1	4	0	1	42	0	0	4	2	3	2	167
06:15	7	121	2	0	8	3	2	0	1	64	0	0	4	2	6	0	220
06:30	13	131	8	3	10	5	4	1	2	104	2	2	5	4	9	0	303
06:45	21	126	20	1	13	9	7	0	1	80	6	0	6	15	7	0	312
Total	50	467	32	4	39	18	17	1	5	290	8	2	19	23	25	2	1002
07:00	15	157	15	2	17	13	5	0	5	83	3	0	10	21	8	0	354
07:15	19	189	23	0	15	17	12	0	6	118	18	0	15	20	19	1	472
07:30	16	215	32	4	23	23	23	0	19	140	14	2	19	22	35	1	588
07:45	31	241	29	1	41	53	39	1	22	150	20	0	25	50	23	1	727
Total	81	802	99	7	96	106	79	1	52	491	55	2	69	113	85	3	2141
08:00	9	200	32	3	32	38	26	0	30	139	8	0	11	46	26	0	600
08:15	12	163	14	0	24	14	16	0	11	131	3	2	7	18	10	0	425
08:30	11	159	8	0	17	11	9	0	8	128	3	1	9	9	5	0	378
08:45	8	138	6	2	17	9	23	2	6	134	2	0	4	8	15	0	374
Total	40	660	60	5	90	72	74	2	55	532	16	3	31	81	56	0	1777
*** BREAK ***																	
15:00	17	185	31	0	19	32	19	0	9	174	16	2	12	22	22	0	560
15:15	24	209	19	15	23	38	25	0	12	256	14	3	22	18	35	0	713
15:30	23	247	18	13	32	26	18	0	17	286	13	2	12	23	31	6	767
15:45	29	193	33	17	37	16	18	1	21	270	14	4	12	17	22	0	704
Total	93	834	101	45	111	112	80	1	59	986	57	11	58	80	110	6	2744
16:00	20	228	20	3	26	35	26	0	13	263	19	2	26	26	26	5	738
16:15	21	209	27	12	30	22	20	0	8	290	13	3	16	21	37	4	733
16:30	15	231	28	4	33	17	13	0	13	293	11	5	14	14	26	3	720
16:45	22	213	23	11	33	23	10	1	14	304	18	0	9	25	29	0	735
Total	78	881	98	30	122	97	69	1	48	1150	61	10	65	86	118	12	2926
17:00	27	248	43	4	25	20	18	2	14	298	15	1	12	25	24	1	777
17:15	27	229	33	3	32	25	18	0	14	307	10	1	9	20	31	0	759
17:30	16	180	41	5	30	27	27	0	17	242	13	0	15	27	26	4	670
17:45	22	204	37	10	43	24	17	2	12	263	18	1	12	25	28	5	723
Total	92	861	154	22	130	96	80	4	57	1110	56	3	48	97	109	10	2929
Grand Total	434	4505	544	113	588	501	399	10	276	4559	253	31	290	480	503	33	13519
Apprch %	7.8	80.5	9.7	2	39.3	33.4	26.6	0.7	5.4	89.1	4.9	0.6	22.2	36.8	38.5	2.5	
Total %	3.2	33.3	4	0.8	4.3	3.7	3	0.1	2	33.7	1.9	0.2	2.1	3.6	3.7	0.2	



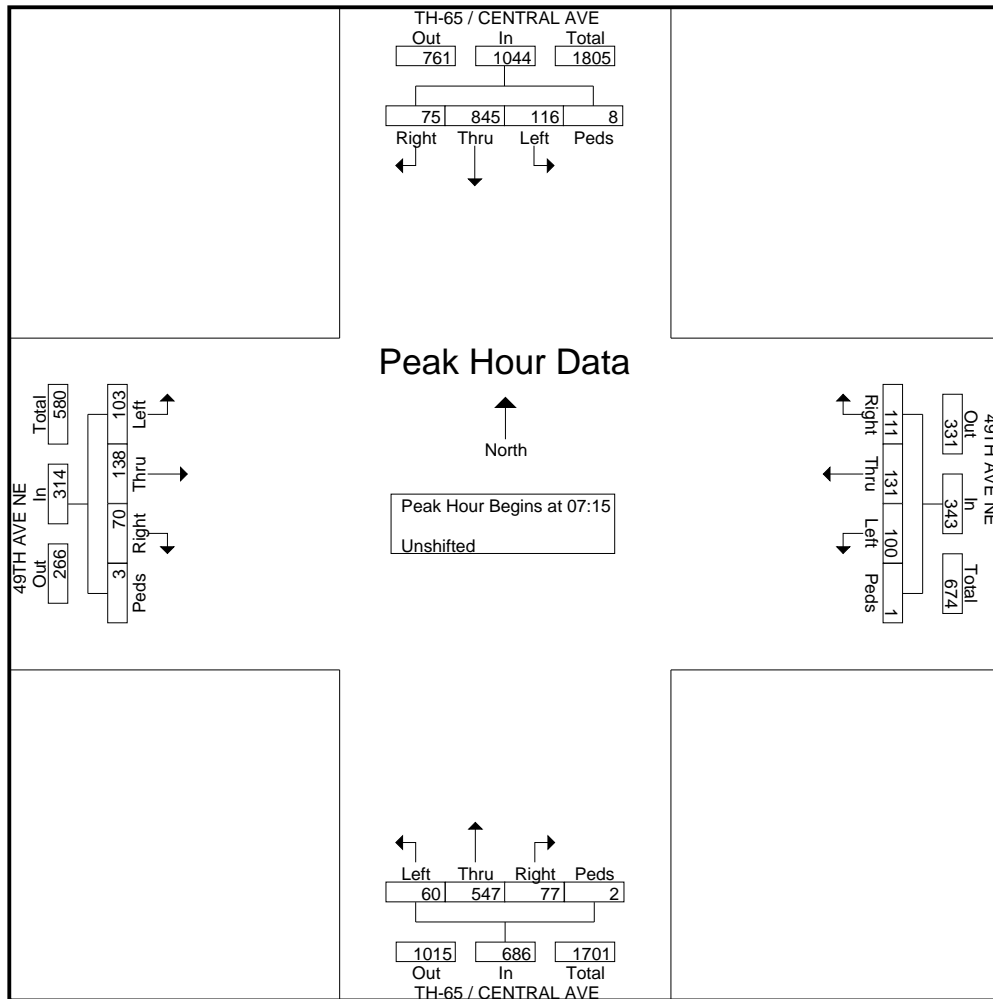
# Minnesota Dept. of Transportation

## Traffic Data Collection -Metro

TH-65 / CENTRAL AVE AT 49TH AVE NE  
 Ref.Pt; 005.632  
 Jamar # T-2638 CAH  
 TURN MOVEMENT COUNT

File Name : TH-65 AT 49TH AVE NE 2012  
 Site Code : 005.632  
 Start Date : 3/21/2012  
 Page No : 2

Start Time	TH-65 / CENTRAL AVE Southbound					49TH AVE NE Westbound					TH-65 / CENTRAL AVE Northbound					49TH AVE NE Eastbound					Int. Total
	Right	Thru	Left	Peds	App. Total	Right	Thru	Left	Peds	App. Total	Right	Thru	Left	Peds	App. Total	Right	Thru	Left	Peds	App. Total	
Peak Hour Analysis From 06:00 to 08:45 - Peak 1 of 1																					
Peak Hour for Entire Intersection Begins at 07:15																					
07:15	19	189	23	0	231	15	17	12	0	44	6	118	18	0	142	15	20	19	1	55	472
07:30	16	215	32	4	267	23	23	23	0	69	19	140	14	2	175	19	22	35	1	77	588
07:45	31	241	29	1	302	41	53	39	1	134	22	150	20	0	192	25	50	23	1	99	727
08:00	9	200	32	3	244	32	38	26	0	96	30	139	8	0	177	11	46	26	0	83	600
Total Volume	75	845	116	8	1044	111	131	100	1	343	77	547	60	2	686	70	138	103	3	314	2387
% App. Total	7.2	80.9	11.1	0.8		32.4	38.2	29.2	0.3		11.2	79.7	8.7	0.3		22.3	43.9	32.8	1		
PHF	.605	.877	.906	.500	.864	.677	.618	.641	.250	.640	.642	.912	.750	.250	.893	.700	.690	.736	.750	.793	.821





# Minnesota Dept. of Transportation

## Traffic Data Collection -Metro

TH-65 / CENTRAL AVE AT 49TH AVE NE  
 Ref.Pt; 005.632  
 Jamar # T-2638 CAH  
 TURN MOVEMENT COUNT

File Name : TH-65 AT 49TH AVE NE 2012  
 Site Code : 005.632  
 Start Date : 3/21/2012  
 Page No : 3

Start Time	TH-65 / CENTRAL AVE Southbound					49TH AVE NE Westbound					TH-65 / CENTRAL AVE Northbound					49TH AVE NE Eastbound					Int. Total
	Rig ht	Thr u	Left	Ped s	App. Total	Rig ht	Thr u	Left	Ped s	App. Total	Right	Thr u	Left	Peds	App. Total	Right	Thr u	Left	Peds	App. Total	
Peak Hour Analysis From 15:00 to 17:45 - Peak 1 of 1																					
Peak Hour for Entire Intersection Begins at 16:30																					
16:30	15	231	28	4	278	33	17	13	0	63	13	293	11	5	322	14	14	26	3	57	720
16:45	22	213	23	11	269	33	23	10	1	67	14	304	18	0	336	9	25	29	0	63	735
17:00	27	248	43	4	322	25	20	18	2	65	14	298	15	1	328	12	25	24	1	62	777
17:15	27	229	33	3	292	32	25	18	0	75	14	307	10	1	332	9	20	31	0	60	759
Total Volume	91	921	127	22	1161	123	85	59	3	270	55	1202	54	7	1318	44	84	110	4	242	2991
% App. Total	7.8	79.3	10.9	1.9		45.6	31.5	21.9	1.1		4.2	91.2	4.1	0.5		18.2	34.7	45.5	1.7		
PHF	.843	.928	.738	.500	.901	.932	.850	.819	.375	.900	.982	.979	.750	.350	.981	.786	.840	.887	.333	.960	.962

