

Location: TH 65 at 50th Avenue
 Count Date: 4/18/2017
 Counted By: JDA



TURNING MOVEMENT COUNT DATA
 All Vehicles

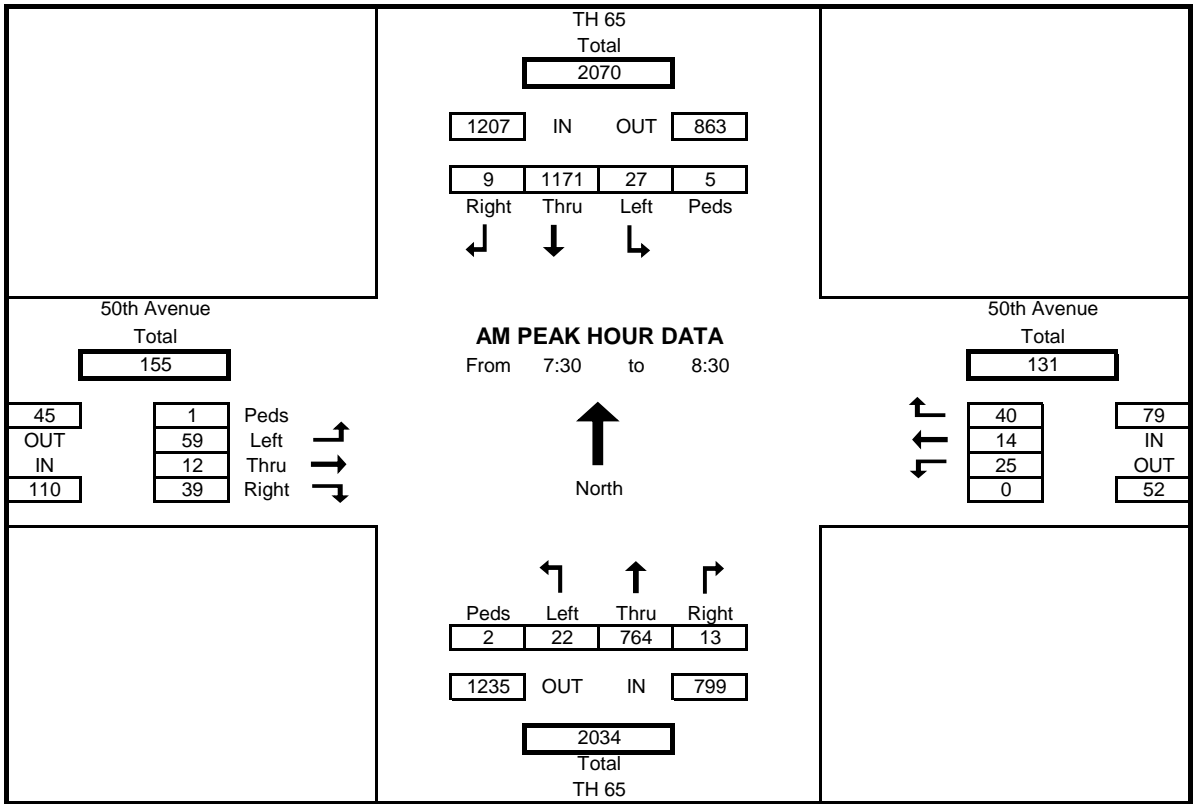
Start Time	TH 65				50th Avenue				TH 65				50th Avenue				Int. Total
	Southbound				Westbound				Northbound				Eastbound				
	Left	Thru	Right	Peds	Left	Thru	Right	Peds	Left	Thru	Right	Peds	Left	Thru	Right	Peds	
6:00	3	122	0	0	0	0	7	1	2	79	0	1	10	1	3	0	227
6:15	2	155	2	1	3	1	8	0	2	103	1	0	11	0	2	0	290
6:30	3	181	0	1	6	0	6	0	1	132	0	0	5	0	9	1	343
6:45	3	231	3	0	2	0	8	0	2	123	2	0	10	1	0	1	385
7:00	4	221	3	1	4	0	7	0	0	125	0	0	6	2	8	0	380
7:15	6	274	1	0	6	0	3	0	2	183	0	0	13	0	10	2	498
7:30	3	303	0	3	6	2	11	0	4	216	5	2	14	2	12	0	578
7:45	8	318	4	1	10	6	10	0	7	212	5	0	20	4	8	1	612
8:00	13	268	3	0	2	3	15	0	5	168	1	0	11	4	9	0	502
8:15	3	282	2	1	7	3	4	0	6	168	2	0	14	2	10	0	503
8:30	8	239	5	0	4	1	11	0	3	179	1	0	11	1	10	0	473
8:45	7	228	1	1	6	1	6	0	1	152	3	0	15	4	7	0	431
9:00	4	197	6	0	5	2	7	1	7	181	8	0	7	0	6	0	430
9:15	11	200	8	0	10	0	7	0	5	160	6	0	9	0	7	0	423
9:30	5	204	5	2	9	2	11	0	3	155	7	0	12	0	6	1	419
9:45	4	162	4	1	6	2	11	0	4	150	16	0	10	0	4	0	373
10:00	12	163	4	0	11	3	12	0	3	167	13	0	6	1	5	0	400
10:15	12	166	4	1	11	2	17	1	5	175	14	4	12	1	6	0	425
10:30	8	167	2	0	18	5	11	0	6	182	9	0	13	3	7	0	431
10:45	10	171	5	1	9	7	7	1	7	175	11	0	13	2	8	0	425
11:00	16	170	15	3	18	2	13	1	14	185	8	0	12	4	7	0	464
11:15	16	189	6	1	9	3	13	0	8	200	12	1	15	1	8	0	480
11:30	27	200	6	1	13	2	11	3	11	190	14	2	15	2	8	3	499
11:45	46	204	8	4	19	2	15	0	7	235	14	0	18	3	14	1	585
12:00	21	203	4	1	8	3	21	1	9	225	19	0	13	3	6	0	535
12:15	19	181	3	2	18	5	19	1	24	217	16	0	12	2	10	0	526
12:30	20	186	7	2	14	3	24	0	15	230	15	2	21	4	12	1	551
12:45	17	216	8	1	16	5	20	1	13	225	15	2	21	1	9	2	566
13:00	15	194	10	1	16	0	12	0	12	234	21	1	23	1	11	1	549
13:15	18	173	5	1	18	4	12	0	6	238	11	2	16	3	5	1	509
13:30	16	192	7	1	23	4	13	0	9	246	25	1	15	3	7	1	560
13:45	18	246	7	2	16	4	7	0	16	234	14	0	16	4	14	1	596
14:00	13	224	4	1	13	7	18	0	10	247	19	0	19	7	11	0	592
14:15	20	222	8	3	25	6	12	0	9	282	22	0	21	7	8	1	642
14:30	17	202	9	1	10	6	20	0	13	297	18	0	19	2	17	0	630
14:45	12	211	6	4	17	3	17	0	6	244	17	0	17	0	10	1	560
15:00	19	231	7	2	20	6	24	0	12	305	25	2	11	0	6	1	666
15:15	13	254	15	1	18	3	18	1	20	361	22	2	19	7	13	1	763
15:30	19	249	11	3	17	7	15	1	8	336	21	3	25	2	14	2	724
15:45	14	242	9	3	20	5	19	0	17	350	30	3	21	4	9	2	740
16:00	26	227	5	0	19	4	14	1	8	347	23	1	17	3	11	3	704
16:15	14	229	4	1	22	3	18	0	17	361	17	3	17	3	8	2	713
16:30	20	242	7	0	11	3	20	0	17	349	23	2	20	5	12	0	729
16:45	15	271	7	0	16	4	14	2	5	372	18	0	18	7	10	0	757
17:00	22	253	14	2	17	3	18	1	18	359	21	1	20	2	6	1	753
17:15	25	257	9	1	14	6	15	0	15	375	19	0	18	5	12	1	770
17:30	17	238	3	6	16	5	17	6	16	358	32	2	17	8	17	2	744
17:45	23	242	11	4	20	5	20	0	12	331	24	2	15	4	9	3	716
18:00	16	244	12	3	25	9	20	0	10	316	25	1	17	10	12	1	716
18:15	20	269	11	0	19	6	17	0	11	272	24	1	14	3	5	2	671
18:30	20	206	6	2	25	8	16	0	9	275	18	1	23	0	7	1	613
18:45	15	217	7	0	18	4	12	0	11	229	14	0	18	3	10	0	558
Total	738	11336	313	71	685	180	703	23	463	12210	720	42	785	141	455	41	28729
Cars+	735	11053	305	71	680	180	701	23	458	11783	718	42	769	140	448	39	27970
Trucks	3	283	8	0	5	0	2	0	5	427	2	0	16	1	7	2	759
% Trucks	0.4	2.6	2.6	0.0	0.7	0.0	0.3	0.0	1.1	3.6	0.3	0.0	2.1	0.7	1.6	5.1	2.7
	2.4				0.4				3.3				1.8				

Location: TH 65 at 50th Avenue
 Count Date: 4/18/2017
 Counted By: JDA



AM PEAK HOUR TURNING MOVEMENT DATA
 All Vehicles

Start Time	TH 65 Southbound				50th Avenue Westbound				TH 65 Northbound				50th Avenue Eastbound				Int. Total
	Left	Thru	Right	Peds	Left	Thru	Right	Peds	Left	Thru	Right	Peds	Left	Thru	Right	Peds	
	7:30	3	303	0	3	6	2	11	0	4	216	5	2	14	2	12	
7:45	8	318	4	1	10	6	10	0	7	212	5	0	20	4	8	1	612
8:00	13	268	3	0	2	3	15	0	5	168	1	0	11	4	9	0	502
8:15	3	282	2	1	7	3	4	0	6	168	2	0	14	2	10	0	503
Total	27	1171	9	5	25	14	40	0	22	764	13	2	59	12	39	1	2195
% App. Total	2.2	96.6	0.7	0.4	2.1	1.2	3.3	0.0	1.8	63.0	1.1	0.2	4.9	1.0	3.2	0.1	
PHF	0.519	0.921	0.563	0.417	0.625	0.583	0.667	0.000	0.786	0.884	0.650	0.250	0.738	0.750	0.813	0.250	0.897
% Trucks	0.0	2.7	28.6	0.0	0.0	0.0	0.0	0.0	10.0	6.1	18.2	0.0	3.5	0.0	5.4	0.0	4.0
	2.8				0.0				6.4				3.8				

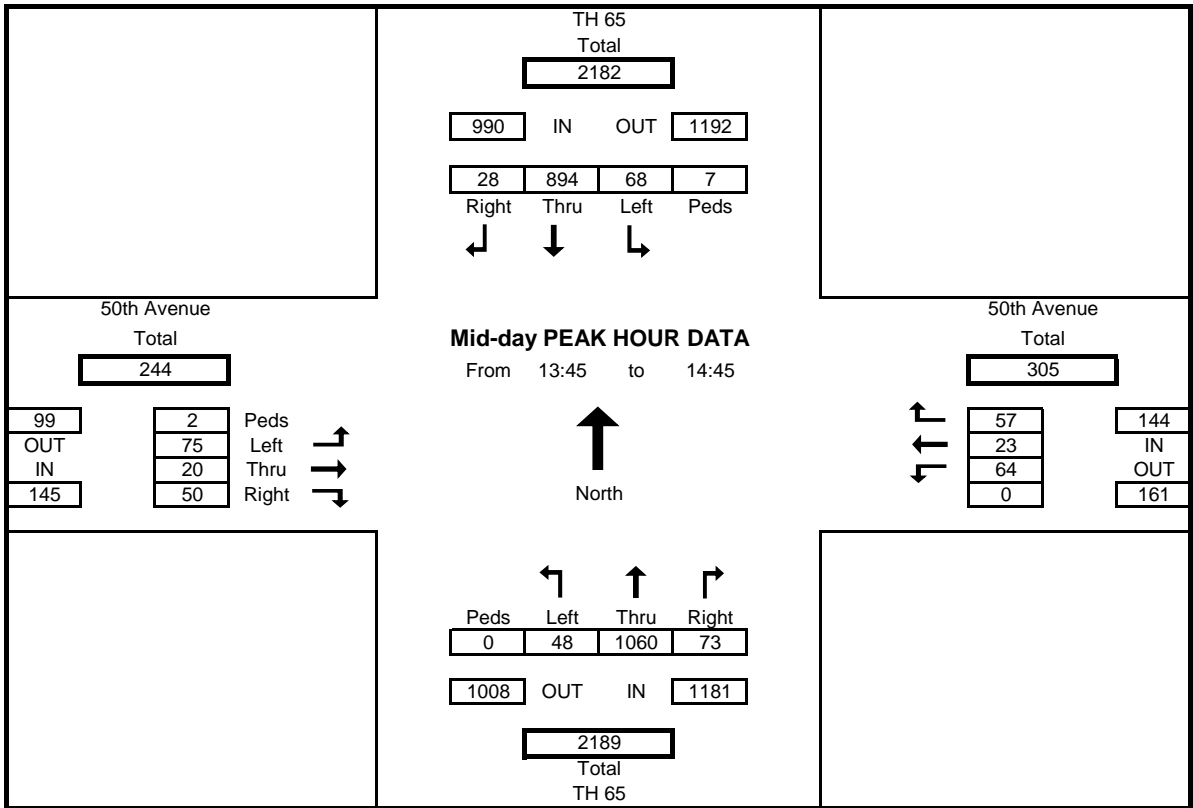


Location: TH 65 at 50th Avenue
 Count Date: 4/18/2017
 Counted By: JDA



Mid-Day PEAK HOUR TURNING MOVEMENT DATA
 All Vehicles

Start Time	TH 65				50th Avenue				TH 65				50th Avenue				Int. Total
	Southbound				Westbound				Northbound				Eastbound				
	Left	Thru	Right	Peds	Left	Thru	Right	Peds	Left	Thru	Right	Peds	Left	Thru	Right	Peds	
13:45	18	246	7	2	16	4	7	0	16	234	14	0	16	4	14	1	596
14:00	13	224	4	1	13	7	18	0	10	247	19	0	19	7	11	0	592
14:15	20	222	8	3	25	6	12	0	9	282	22	0	21	7	8	1	642
14:30	17	202	9	1	10	6	20	0	13	297	18	0	19	2	17	0	630
Total	68	894	28	7	64	23	57	0	48	1060	73	0	75	20	50	2	2460
% App. Total	6.8	89.7	2.8	0.7	6.4	2.3	5.7	0.0	4.8	106.3	7.3	0.0	7.5	2.0	5.0	0.2	
PHF	0.850	0.909	0.778	0.583	0.640	0.821	0.713	0.000	0.750	0.892	0.830	0.000	0.893	0.714	0.735	0.500	0.958
% Trucks	1.5	3.2	0.0	0.0	1.6	0.0	1.8	0.0	0.0	4.4	0.0	0.0	0.0	0.0	0.0	0.0	3.2
	3.0				1.4				4.0				0.0				

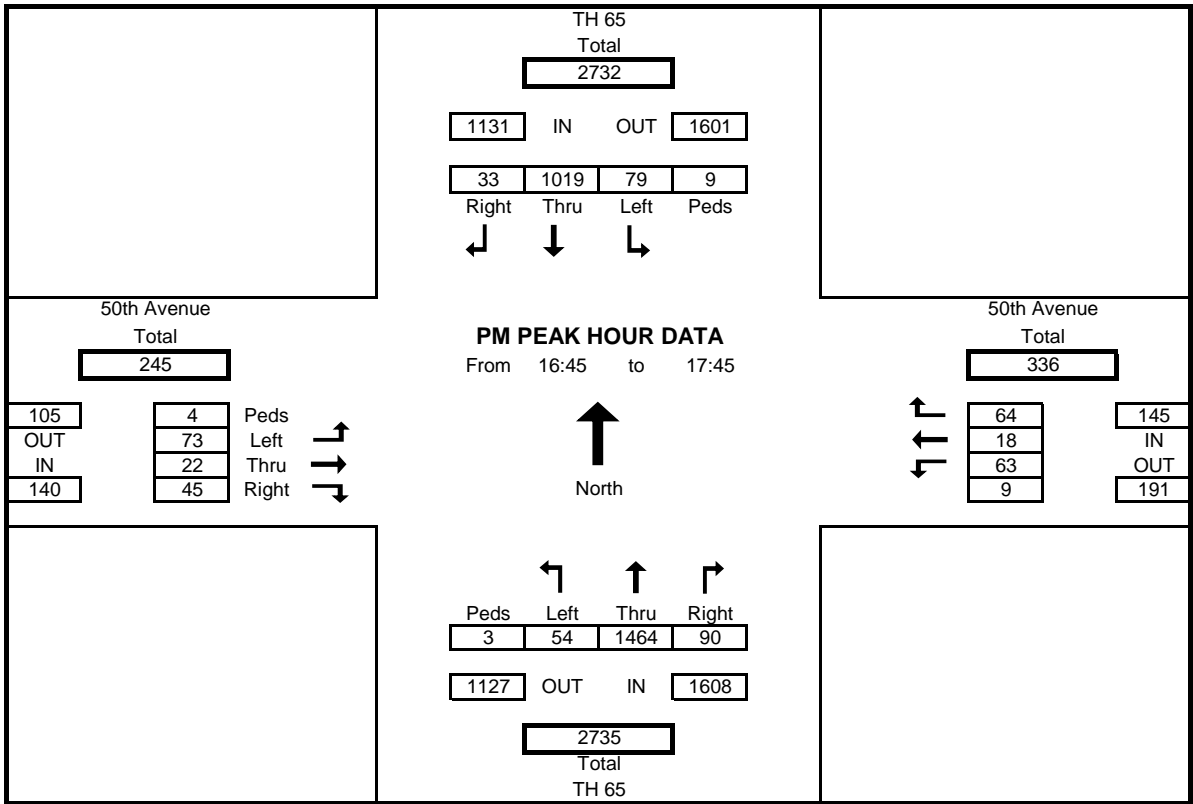


Location: TH 65 at 50th Avenue
 Count Date: 4/18/2017
 Counted By: JDA



AM PEAK HOUR TURNING MOVEMENT DATA
 All Vehicles

Start Time	TH 65				50th Avenue				TH 65				50th Avenue				Int. Total
	Southbound				Westbound				Northbound				Eastbound				
	Left	Thru	Right	Peds	Left	Thru	Right	Peds	Left	Thru	Right	Peds	Left	Thru	Right	Peds	
16:45	15	271	7	0	16	4	14	2	5	372	18	0	18	7	10	0	757
17:00	22	253	14	2	17	3	18	1	18	359	21	1	20	2	6	1	753
17:15	25	257	9	1	14	6	15	0	15	375	19	0	18	5	12	1	770
17:30	17	238	3	6	16	5	17	6	16	358	32	2	17	8	17	2	744
Total	79	1019	33	9	63	18	64	9	54	1464	90	3	73	22	45	4	3024
% App. Total	6.9	89.4	2.9	0.8	5.5	1.6	5.6	0.8	4.7	128.4	7.9	0.3	6.4	1.9	3.9	0.4	
PHF	0.790	0.940	0.589	0.375	0.926	0.750	0.889	0.375	0.750	0.976	0.703	0.375	0.913	0.688	0.662	0.500	0.982
% Trucks	0.0	1.5	0.0	0.0	0.0	0.0	0.0	0.0	0.0	2.3	0.0	0.0	0.0	0.0	0.0	0.0	
		1.3			0.0					2.1				0.0			1.6



Location: TH 65 at 50th Avenue
 Count Date: 4/18/2017
 Counted By: JDA



TURNING MOVEMENT COUNT DATA

Cars+

Start Time	TH 65				50th Avenue				TH 65				50th Avenue				Int. Total
	Southbound				Westbound				Northbound				Eastbound				
	Left	Thru	Right	Peds	Left	Thru	Right	Peds	Left	Thru	Right	Peds	Left	Thru	Right	Peds	
6:00	2	112	0	0	0	0	7	1	2	76	0	1	9	1	3	0	212
6:15	2	150	1	1	3	1	8	0	2	95	1	0	11	0	2	0	276
6:30	2	172	0	1	5	0	6	0	1	124	0	0	5	0	9	1	324
6:45	3	217	2	0	2	0	8	0	1	120	2	0	9	1	0	1	365
7:00	4	210	3	1	4	0	7	0	0	121	0	0	6	2	8	0	365
7:15	6	266	1	0	6	0	3	0	2	174	0	0	13	0	9	2	480
7:30	3	295	0	3	6	2	11	0	4	210	4	2	13	2	11	0	561
7:45	8	312	4	1	10	6	10	0	7	201	5	0	20	4	7	1	594
8:00	13	264	2	0	2	3	15	0	4	153	1	0	11	4	9	0	481
8:15	3	269	1	1	7	3	4	0	5	156	1	0	13	2	10	0	474
8:30	8	232	5	0	4	1	11	0	3	171	1	0	11	1	8	0	456
8:45	7	225	1	1	6	1	6	0	1	144	3	0	15	4	7	0	420
9:00	4	193	5	0	4	2	7	1	7	166	8	0	7	0	6	0	409
9:15	11	196	8	0	10	0	7	0	5	154	6	0	9	0	7	0	413
9:30	5	194	5	2	9	2	11	0	3	148	7	0	10	0	6	1	400
9:45	4	159	4	1	6	2	11	0	4	138	16	0	9	0	4	0	357
10:00	12	158	4	0	11	3	12	0	3	154	13	0	6	1	5	0	382
10:15	12	160	4	1	11	2	17	1	5	166	14	4	12	1	6	0	410
10:30	8	162	1	0	18	5	11	0	6	172	9	0	13	3	7	0	415
10:45	10	166	5	1	9	7	7	1	7	165	11	0	12	2	8	0	409
11:00	16	161	14	3	18	2	13	1	14	173	8	0	12	4	7	0	442
11:15	16	182	6	1	9	3	13	0	8	191	12	1	15	1	8	0	464
11:30	27	196	6	1	13	2	11	3	10	182	14	2	15	2	8	3	486
11:45	46	193	8	4	19	2	15	0	7	230	14	0	18	3	12	1	567
12:00	21	201	4	1	8	3	21	1	9	215	19	0	13	3	6	0	523
12:15	19	177	3	2	17	5	19	1	24	211	16	0	11	2	10	0	514
12:30	20	181	7	2	14	3	23	0	15	226	15	2	21	4	12	1	541
12:45	17	208	7	1	16	5	20	1	12	219	15	2	21	1	9	2	550
13:00	15	189	10	1	16	0	12	0	12	227	21	1	22	1	11	1	536
13:15	18	166	5	1	17	4	12	0	6	233	11	2	16	3	5	1	496
13:30	16	189	7	1	23	4	13	0	9	238	25	1	15	3	7	1	549
13:45	18	235	7	2	16	4	7	0	16	228	14	0	16	4	14	1	579
14:00	13	216	4	1	13	7	18	0	10	236	19	0	19	7	11	0	573
14:15	20	219	8	3	24	6	12	0	9	272	22	0	21	7	8	1	628
14:30	16	196	9	1	10	6	19	0	13	279	18	0	19	2	17	0	604
14:45	12	205	6	4	17	3	17	0	6	238	17	0	17	0	10	1	548
15:00	19	229	7	2	20	6	24	0	12	296	25	2	10	0	6	1	654
15:15	13	249	15	1	18	3	18	1	20	348	22	2	19	7	13	1	745
15:30	19	246	11	3	17	7	15	1	8	329	21	3	23	2	14	2	712
15:45	14	239	9	3	20	5	19	0	17	334	30	3	20	3	9	2	719
16:00	26	226	5	0	19	4	14	1	8	339	23	1	17	3	11	2	695
16:15	14	226	4	1	22	3	18	0	17	357	17	3	16	3	8	1	705
16:30	20	240	7	0	11	3	20	0	17	346	23	2	20	5	12	0	724
16:45	15	268	7	0	16	4	14	2	5	365	18	0	18	7	10	0	747
17:00	22	249	14	2	17	3	18	1	18	352	21	1	20	2	6	1	742
17:15	25	253	9	1	14	6	15	0	15	366	19	0	18	5	12	1	757
17:30	17	234	3	6	16	5	17	6	16	348	32	2	17	8	17	2	730
17:45	23	238	11	4	20	5	20	0	12	321	24	2	15	4	9	3	702
18:00	16	242	12	3	25	9	20	0	10	312	25	1	16	10	12	1	709
18:15	20	268	11	0	19	6	17	0	11	267	24	1	14	3	5	2	665
18:30	20	205	6	2	25	8	16	0	9	272	18	1	23	0	7	1	609
18:45	15	215	7	0	18	4	12	0	11	225	14	0	18	3	10	0	552
Total	735	11053	305	71	680	180	701	23	458	11783	718	42	769	140	448	39	27970
Cars+	735	11053	305	71	680	180	701	23	458	11783	718	42	769	140	448	39	27970
Trucks	3	283	8	0	5	0	2	0	5	427	2	0	16	1	7	2	759
% Trucks	0.4	2.6	2.6	0.0	0.7	0.0	0.3	0.0	1.1	3.6	0.3	0.0	2.1	0.7	1.6	5.1	2.7
	2.4				0.4				3.3				1.8				

Location: TH 65 at 50th Avenue
 Count Date: 4/18/2017
 Counted By: JDA



TURNING MOVEMENT COUNT DATA
Heavy Vehicles

Start Time	TH 65				50th Avenue				TH 65				50th Avenue				Int. Total
	Southbound				Westbound				Northbound				Eastbound				
	Left	Thru	Right	Bikes	Left	Thru	Right	Bikes	Left	Thru	Right	Bikes	Left	Thru	Right	Bikes	
6:00	1	10	0	0	0	0	0	0	0	3	0	0	1	0	0	0	15
6:15	0	5	1	0	0	0	0	0	0	8	0	0	0	0	0	0	14
6:30	1	9	0	0	1	0	0	0	0	8	0	0	0	0	0	0	19
6:45	0	14	1	0	0	0	0	0	1	3	0	0	1	0	0	0	20
7:00	0	11	0	0	0	0	0	0	0	4	0	0	0	0	0	0	15
7:15	0	8	0	0	0	0	0	0	0	9	0	0	0	0	1	0	18
7:30	0	8	0	0	0	0	0	0	0	6	1	0	1	0	1	0	17
7:45	0	6	0	0	0	0	0	0	0	11	0	0	0	0	1	0	18
8:00	0	4	1	0	0	0	0	0	1	15	0	0	0	0	0	0	21
8:15	0	13	1	0	0	0	0	0	1	12	1	0	1	0	0	0	29
8:30	0	7	0	0	0	0	0	0	0	8	0	0	0	0	2	0	17
8:45	0	3	0	0	0	0	0	0	0	8	0	0	0	0	0	0	11
9:00	0	4	1	0	1	0	0	0	0	15	0	0	0	0	0	0	21
9:15	0	4	0	0	0	0	0	0	0	6	0	0	0	0	0	0	10
9:30	0	10	0	0	0	0	0	0	0	7	0	0	2	0	0	0	19
9:45	0	3	0	0	0	0	0	0	0	12	0	0	1	0	0	0	16
10:00	0	5	0	0	0	0	0	0	0	13	0	0	0	0	0	0	18
10:15	0	6	0	0	0	0	0	0	0	9	0	0	0	0	0	0	15
10:30	0	5	1	0	0	0	0	0	0	10	0	0	0	0	0	0	16
10:45	0	5	0	0	0	0	0	0	0	10	0	0	1	0	0	0	16
11:00	0	9	1	0	0	0	0	0	0	12	0	0	0	0	0	0	22
11:15	0	7	0	0	0	0	0	0	0	9	0	0	0	0	0	0	16
11:30	0	4	0	0	0	0	0	0	1	8	0	0	0	0	0	0	13
11:45	0	11	0	0	0	0	0	0	0	5	0	0	0	0	2	0	18
12:00	0	2	0	0	0	0	0	0	0	10	0	0	0	0	0	0	12
12:15	0	4	0	0	1	0	0	0	0	6	0	0	1	0	0	0	12
12:30	0	5	0	0	0	0	1	0	0	4	0	0	0	0	0	0	10
12:45	0	8	1	0	0	0	0	0	1	6	0	0	0	0	0	0	16
13:00	0	5	0	0	0	0	0	0	0	7	0	0	1	0	0	0	13
13:15	0	7	0	0	1	0	0	0	0	5	0	0	0	0	0	0	13
13:30	0	3	0	0	0	0	0	0	0	8	0	0	0	0	0	0	11
13:45	0	11	0	0	0	0	0	0	0	6	0	0	0	0	0	0	17
14:00	0	8	0	0	0	0	0	0	0	11	0	0	0	0	0	0	19
14:15	0	3	0	0	1	0	0	0	0	10	0	0	0	0	0	0	14
14:30	1	6	0	0	0	0	1	0	0	18	0	0	0	0	0	0	26
14:45	0	6	0	0	0	0	0	0	0	6	0	0	0	0	0	0	12
15:00	0	2	0	0	0	0	0	0	0	9	0	0	1	0	0	0	12
15:15	0	5	0	0	0	0	0	0	0	13	0	0	0	0	0	0	18
15:30	0	3	0	0	0	0	0	0	0	7	0	0	2	0	0	0	12
15:45	0	3	0	0	0	0	0	0	0	16	0	0	1	1	0	0	21
16:00	0	1	0	0	0	0	0	0	0	8	0	0	0	0	0	1	9
16:15	0	3	0	0	0	0	0	0	0	4	0	0	1	0	0	1	8
16:30	0	2	0	0	0	0	0	0	0	3	0	0	0	0	0	0	5
16:45	0	3	0	0	0	0	0	0	0	7	0	0	0	0	0	0	10
17:00	0	4	0	0	0	0	0	0	0	7	0	0	0	0	0	0	11
17:15	0	4	0	0	0	0	0	0	0	9	0	0	0	0	0	0	13
17:30	0	4	0	0	0	0	0	0	0	10	0	0	0	0	0	0	14
17:45	0	4	0	0	0	0	0	0	0	10	0	0	0	0	0	0	14
18:00	0	2	0	0	0	0	0	0	0	4	0	0	1	0	0	0	7
18:15	0	1	0	0	0	0	0	0	0	5	0	0	0	0	0	0	6
18:30	0	1	0	0	0	0	0	0	0	3	0	0	0	0	0	0	4
18:45	0	2	0	0	0	0	0	0	0	4	0	0	0	0	0	0	6
Total	3	283	8	0	5	0	2	0	5	427	2	0	16	1	7	2	759
Cars+	735	11053	305	71	680	180	701	23	458	11783	718	42	769	140	448	39	27970
Trucks	3	283	8	0	5	0	2	0	5	427	2	0	16	1	7	2	759
% Trucks	0.4	2.6	2.6	0.0	0.7	0.0	0.3	0.0	1.1	3.6	0.3	0.0	2.1	0.7	1.6	5.1	2.7
	2.4				0.4				3.3				1.8				