



# MINNESOTA DEPT OF TRANSPORTATION

## TRAFFIC DATA COLLECTION - METRO

TH-65 / Central Ave at 50th Ave NE

Ref.Pt.: 005.757

JAMAR #

CH / DR

TURN MOVEMENT COUNT

File Name : TH-65 at 50th Ave NE 2009

Site Code : 00000000

Start Date : 5/5/2009

Page No : 1

### Groups Printed- Cars & Trucks

Start Time	TH-65 / Central Ave. Southbound				50th Ave NE Westbound				TH-65 / Central Ave. Northbound				50th Ave NE Eastbound				Int. Total
	Left	Thru	Right	Peds	Left	Thru	Right	Peds	Left	Thru	Right	Peds	Left	Thru	Right	Peds	
06:00	6	104	4	0	3	0	10	0	4	60	1	0	15	0	6	0	213
06:15	9	151	3	0	7	1	9	0	5	97	0	1	12	1	5	0	301
06:30	7	184	6	0	1	0	8	0	5	102	3	0	10	0	9	0	335
06:45	10	210	3	0	12	3	13	0	4	113	5	2	6	3	7	0	391
Total	32	649	16	0	23	4	40	0	18	372	9	3	43	4	27	0	1240
07:00	8	198	5	0	4	2	14	0	8	127	3	1	10	2	12	1	395
07:15	11	228	2	0	7	0	16	0	2	160	3	1	13	0	4	1	448
07:30	13	324	6	0	11	2	15	0	5	171	8	0	16	3	13	1	588
07:45	12	333	3	0	7	4	11	0	10	231	5	0	6	0	1	1	624
Total	44	1083	16	0	29	8	56	0	25	689	19	2	45	5	30	4	2055
08:00	1	274	2	0	9	0	14	0	10	204	9	0	12	0	4	0	539
08:15	12	230	3	0	7	0	13	0	9	140	6	1	3	2	2	1	429
08:30	14	222	4	0	4	1	15	0	4	130	6	0	12	1	5	0	418
08:45	24	183	5	0	7	4	8	0	6	184	1	1	2	1	3	0	429
Total	51	909	14	0	27	5	50	0	29	658	22	2	29	4	14	1	1815
15:00	20	274	8	0	5	3	10	0	11	340	8	2	19	4	6	0	710
15:15	26	266	6	0	7	6	9	0	12	361	7	2	18	5	12	7	744
15:30	24	266	10	0	4	4	14	0	11	341	8	3	23	3	12	2	725
15:45	17	257	6	0	3	2	10	0	11	323	5	2	14	1	7	0	658
Total	87	1063	30	0	19	15	43	0	45	1365	28	9	74	13	37	9	2837
16:00	18	249	9	0	4	5	8	0	11	355	7	2	20	3	11	1	703
16:15	16	273	8	0	4	2	13	0	14	365	2	1	22	4	13	2	739
16:30	20	257	8	0	4	4	10	0	23	376	3	3	19	2	15	0	744
16:45	21	315	13	0	4	4	7	0	20	360	2	1	13	4	13	0	777
Total	75	1094	38	0	16	15	38	0	68	1456	14	7	74	13	52	3	2963
17:00	19	259	13	0	2	3	6	0	13	396	4	1	13	6	10	2	747
17:15	11	263	16	0	10	3	5	0	19	355	6	1	29	6	16	4	744
17:30	24	270	4	0	6	5	11	0	10	368	2	0	16	5	16	0	737
17:45	19	313	13	0	7	2	12	0	22	313	8	3	21	4	14	0	751
Total	73	1105	46	0	25	13	34	0	64	1432	20	5	79	21	56	6	2979
Grand Total	362	5903	160	0	139	60	261	0	249	5972	112	28	344	60	216	23	13889
Apprch %	5.6	91.9	2.5	0	30.2	13	56.7	0	3.9	93.9	1.8	0.4	53.5	9.3	33.6	3.6	
Total %	2.6	42.5	1.2	0	1	0.4	1.9	0	1.8	43	0.8	0.2	2.5	0.4	1.6	0.2	



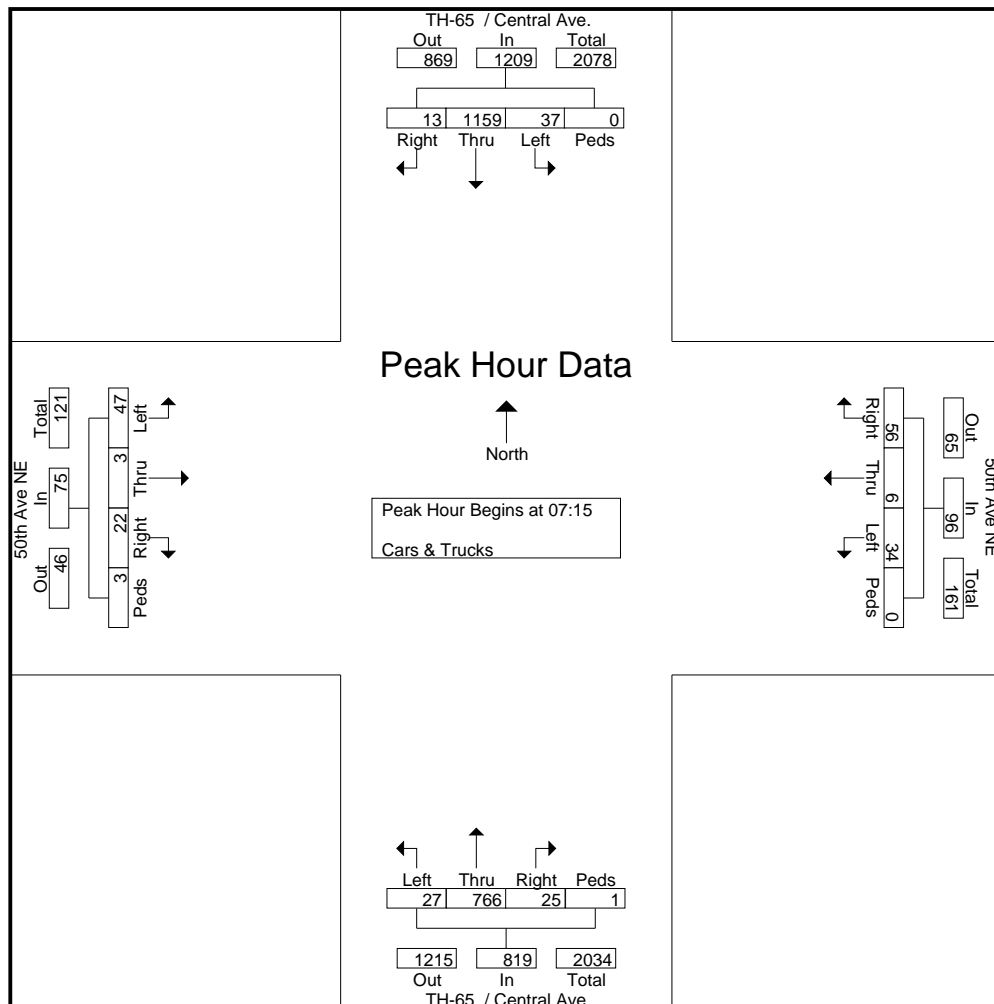
# MINNESOTA DEPT OF TRANSPORTATION

## TRAFFIC DATA COLLECTION - METRO

TH-65 / Central Ave at 50th Ave NE  
 Ref.Pt.: 005.757  
 JAMAR # CH / DR  
 TURN MOVEMENT COUNT

File Name : TH-65 at 50th Ave NE 2009  
 Site Code : 00000000  
 Start Date : 5/5/2009  
 Page No : 2

Start Time	TH-65 / Central Ave. Southbound					50th Ave NE Westbound					TH-65 / Central Ave. Northbound					50th Ave NE Eastbound					Int. Total
	Left	Thru	Right	Peds	App. Total	Left	Thru	Right	Peds	App. Total	Left	Thru	Right	Peds	App. Total	Left	Thru	Right	Peds	App. Total	
Peak Hour Analysis From 06:00 to 08:45 - Peak 1 of 1																					
Peak Hour for Entire Intersection Begins at 07:15																					
07:15	11	228	2	0	241	7	0	16	0	23	2	160	3	1	166	13	0	4	1	18	448
07:30	13	324	6	0	343	11	2	15	0	28	5	171	8	0	184	16	3	13	1	33	588
07:45	12	333	3	0	348	7	4	11	0	22	10	231	5	0	246	6	0	1	1	8	624
08:00	1	274	2	0	277	9	0	14	0	23	10	204	9	0	223	12	0	4	0	16	539
Total Volume	37	1159	13	0	1209	34	6	56	0	96	27	766	25	1	819	47	3	22	3	75	2199
% App. Total	3.1	95.9	1.1	0		35.4	6.2	58.3	0		3.3	93.5	3.1	0.1		62.7	4	29.3	4		
PHF	.712	.870	.542	.000	.869	.773	.375	.875	.000	.857	.675	.829	.694	.250	.832	.734	.250	.423	.750	.568	.881





# MINNESOTA DEPT OF TRANSPORTATION

## TRAFFIC DATA COLLECTION - METRO

TH-65 / Central Ave at 50th Ave NE  
 Ref.Pt.: 005.757  
 JAMAR # CH / DR  
 TURN MOVEMENT COUNT

File Name : TH-65 at 50th Ave NE 2009  
 Site Code : 00000000  
 Start Date : 5/5/2009  
 Page No : 3

Start Time	TH-65 / Central Ave. Southbound					50th Ave NE Westbound					TH-65 / Central Ave. Northbound					50th Ave NE Eastbound					Int. Total
	Left	Thru	Right	Peds	App. Total	Left	Thru	Right	Peds	App. Total	Left	Thru	Right	Peds	App. Total	Left	Thru	Right	Peds	App. Total	
Peak Hour Analysis From 15:00 to 17:45 - Peak 1 of 1																					
Peak Hour for Entire Intersection Begins at 16:30																					
16:30	20	257	8	0	285	4	4	10	0	18	23	376	3	3	405	19	2	15	0	36	744
16:45	21	315	13	0	349	4	4	7	0	15	20	360	2	1	383	13	4	13	0	30	777
17:00	19	259	13	0	291	2	3	6	0	11	13	396	4	1	414	13	6	10	2	31	747
17:15	11	263	16	0	290	10	3	5	0	18	19	355	6	1	381	29	6	16	4	55	744
Total Volume	71	1094	50	0	1215	20	14	28	0	62	75	1487	15	6	1583	74	18	54	6	152	3012
% App. Total	5.8	90	4.1	0		32.3	22.6	45.2	0		4.7	93.9	0.9	0.4		48.7	11.8	35.5	3.9		
PHF	.845	.868	.781	.000	.870	.500	.875	.700	.000	.861	.815	.939	.625	.500	.956	.638	.750	.844	.375	.691	.969

