

Location: TH 65 at TH 10 South Ramp
 Count Date: 4/11/2017
 Counted By: JDA



TURNING MOVEMENT COUNT DATA

All Vehicles

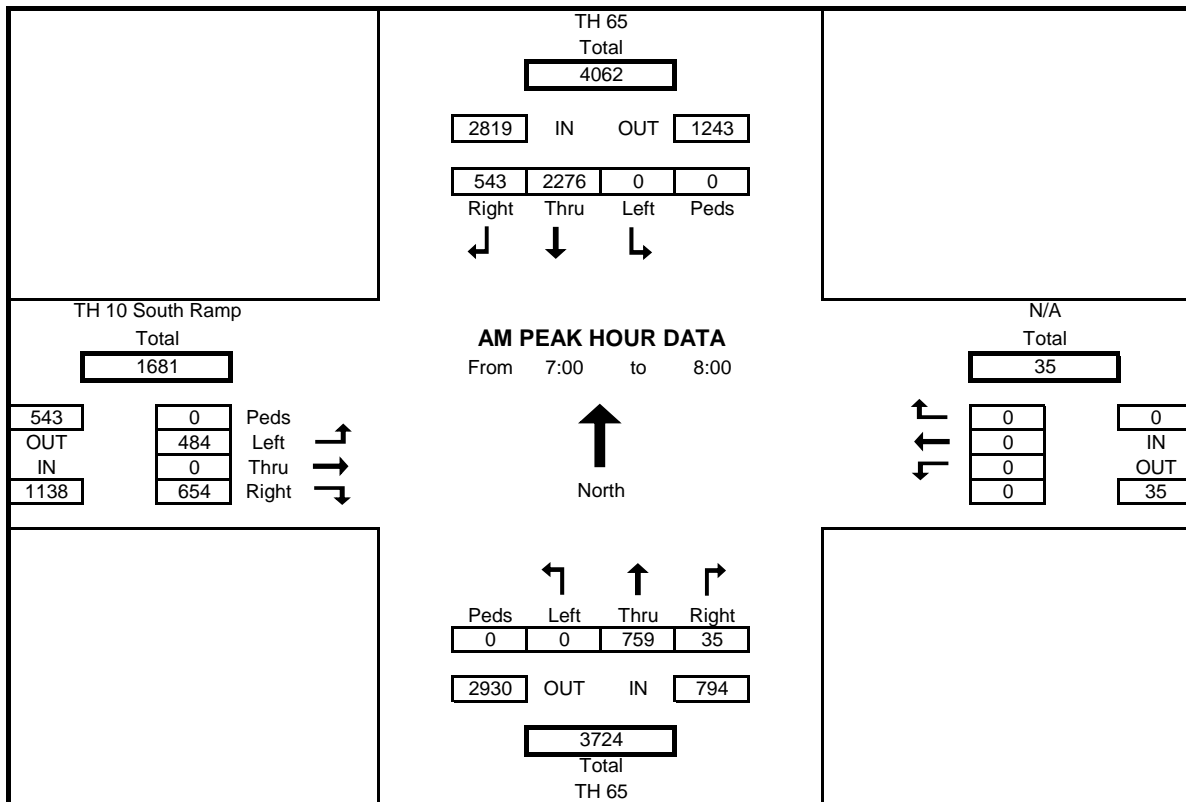
Start Time	TH 65				N/A				TH 65				TH 10 South Ramp				Int. Total
	Southbound				Westbound				Northbound				Eastbound				
	Left	Thru	Right	Peds	Left	Thru	Right	Peds	Left	Thru	Right	Peds	Left	Thru	Right	Peds	
6:00	0	325	179	0	0	0	0	0	0	71	12	0	47	0	62	0	696
6:15	0	479	165	0	0	0	0	0	0	109	10	0	78	0	122	0	963
6:30	0	503	183	0	0	0	0	0	0	123	7	0	114	0	130	0	1060
6:45	0	565	135	0	0	0	0	0	0	185	5	0	101	0	168	0	1159
7:00	0	549	135	0	0	0	0	0	0	164	11	0	108	0	173	0	1140
7:15	0	543	163	0	0	0	0	0	0	177	7	0	120	0	145	0	1155
7:30	0	653	127	0	0	0	0	0	0	226	5	0	99	0	140	0	1250
7:45	0	531	118	0	0	0	0	0	0	192	12	0	157	0	196	0	1206
8:00	0	526	122	0	0	0	0	0	0	205	16	0	91	0	101	0	1061
8:15	0	439	157	0	0	0	0	0	0	190	12	0	114	0	119	0	1031
8:30	0	344	134	0	0	0	0	0	0	181	28	0	115	0	120	0	922
8:45	0	386	157	0	0	0	0	0	0	246	22	0	96	0	111	0	1018
9:00	0	315	134	0	0	0	0	0	0	210	24	0	110	0	71	0	864
9:15	0	261	184	0	0	0	0	0	0	208	18	0	93	0	68	0	832
9:30	0	275	166	0	0	0	0	0	0	209	14	0	106	0	63	0	833
9:45	1	236	131	0	0	0	0	0	0	215	11	0	127	0	60	0	781
10:00	0	214	138	0	0	0	0	0	0	210	19	0	79	0	59	0	719
10:15	0	216	123	0	0	0	0	0	0	233	19	0	90	0	64	0	745
10:30	0	212	119	0	0	0	0	0	0	244	8	0	87	0	48	0	718
10:45	0	214	102	0	0	0	0	0	0	265	18	0	116	0	63	0	778
11:00	0	236	115	0	0	0	0	0	0	241	16	0	81	1	55	0	745
11:15	0	230	99	0	0	0	0	0	0	295	18	0	96	0	51	0	789
11:30	0	250	93	0	0	0	0	0	0	304	27	0	97	0	55	0	826
11:45	0	261	117	0	0	0	0	0	0	257	21	0	100	1	78	0	835
12:00	0	224	99	0	0	0	0	0	0	299	18	0	109	0	63	0	812
12:15	0	248	100	0	0	0	0	0	0	314	22	0	103	1	61	0	849
12:30	0	261	123	0	0	0	0	0	0	330	29	0	95	0	65	0	903
12:45	0	247	113	0	0	0	0	0	0	290	31	0	122	0	57	0	860
13:00	0	227	114	0	0	0	0	0	0	304	28	0	120	0	63	0	856
13:15	0	219	123	0	0	0	0	0	0	332	37	0	134	1	51	0	897
13:30	0	223	121	0	0	0	0	0	0	314	25	0	127	0	75	0	885
13:45	0	223	115	0	0	0	0	0	0	332	22	0	144	0	71	0	907
14:00	0	210	115	0	0	0	0	0	0	358	19	0	132	0	60	0	894
14:15	0	225	99	0	0	0	0	0	0	372	24	1	153	0	86	0	959
14:30	1	247	112	0	0	0	0	0	0	508	35	0	143	0	79	0	1125
14:45	0	212	107	0	0	0	0	0	0	537	43	0	187	0	101	0	1187
15:00	0	237	90	0	0	0	0	0	0	527	30	0	182	0	71	0	1137
15:15	1	247	102	0	0	0	0	0	0	586	40	0	177	0	93	0	1246
15:30	1	237	110	0	0	0	0	0	0	541	52	0	208	0	103	0	1252
15:45	0	226	99	0	0	0	0	0	0	608	57	0	216	0	104	0	1310
16:00	0	221	121	0	0	0	0	0	0	594	58	0	183	0	89	1	1266
16:15	0	232	109	0	0	0	0	0	0	555	33	0	210	0	93	0	1232
16:30	0	233	123	0	0	0	0	0	0	682	51	0	176	0	85	0	1350
16:45	0	259	107	0	0	0	0	0	0	585	34	0	234	0	92	0	1311
17:00	0	251	104	0	0	0	0	0	0	596	44	0	192	0	103	0	1290
17:15	0	197	84	0	0	0	0	0	0	611	45	0	212	0	93	0	1242
17:30	0	228	93	0	0	0	0	0	0	550	44	0	201	0	80	0	1196
17:45	0	234	72	0	0	0	0	0	0	571	28	0	179	0	84	0	1168
18:00	0	229	101	0	0	0	0	0	0	450	19	0	205	0	71	0	1075
18:15	0	191	93	0	0	0	0	0	0	407	27	0	153	0	87	0	958
18:30	0	204	85	0	0	0	0	0	0	397	18	0	160	0	68	0	932
18:45	0	215	79	0	0	0	0	0	0	359	13	0	175	0	74	0	915
Total	4	15170	6209	0	0	0	0	0	0	17869	1286	1	7054	4	4544	1	52140
Cars+	4	14782	5940	0	0	0	0	0	0	17295	1218	1	6757	4	4420	1	50420
Trucks	0	388	269	0	0	0	0	0	0	574	68	0	297	0	124	0	1720
% Trucks	0.0	2.6	4.5	0.0	0.0	0.0	0.0	0.0	0.0	3.3	5.6	0.0	4.4	0.0	2.8	0.0	3.4
		3.2				0.0				3.5				3.8			

Location: TH 65 at TH 10 South Ramp
 Count Date: 4/11/2017
 Counted By: JDA



AM PEAK HOUR TURNING MOVEMENT DATA
 All Vehicles

Start Time	TH 65				N/A				TH 65				TH 10 South Ramp				Int. Total
	Southbound				Westbound				Northbound				Eastbound				
	Left	Thru	Right	Peds	Left	Thru	Right	Peds	Left	Thru	Right	Peds	Left	Thru	Right	Peds	
7:00	0	549	135	0	0	0	0	0	0	164	11	0	108	0	173	0	1140
7:15	0	543	163	0	0	0	0	0	0	177	7	0	120	0	145	0	1155
7:30	0	653	127	0	0	0	0	0	0	226	5	0	99	0	140	0	1250
7:45	0	531	118	0	0	0	0	0	0	192	12	0	157	0	196	0	1206
Total	0	2276	543	0	0	0	0	0	0	759	35	0	484	0	654	0	4751
% App. Total	0.0	80.7	19.3	0.0	0.0	0.0	0.0	0.0	0.0	26.9	1.2	0.0	17.2	0.0	23.2	0.0	
PHF	0.000	0.871	0.833	0.000	0.000	0.000	0.000	0.000	0.000	0.840	0.729	0.000	0.771	0.000	0.834	0.000	0.950
% Trucks	0.0	2.0	3.6	0.0	0.0	0.0	0.0	0.0	0.0	6.0	16.7	0.0	5.4	0.0	1.9	0.0	3.2
	2.3				0.0				6.4				3.4				

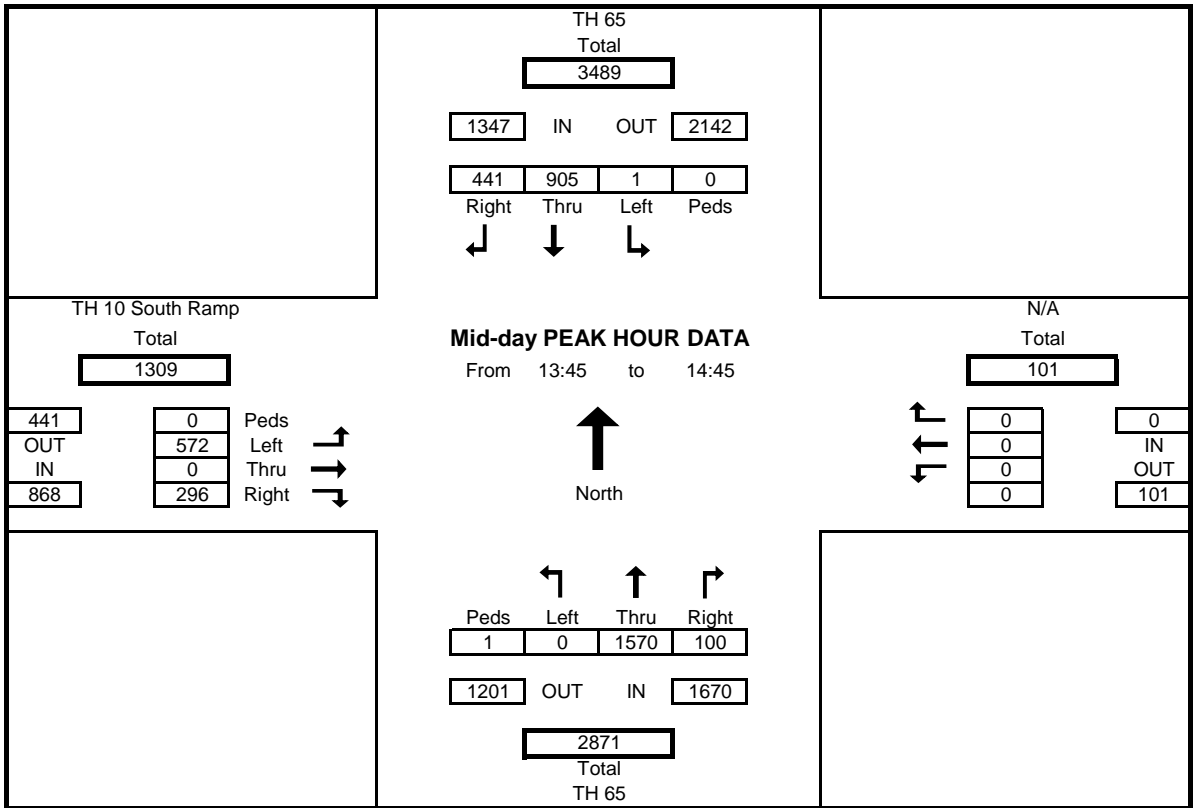


Location: TH 65 at TH 10 South Ramp
 Count Date: 4/11/2017
 Counted By: JDA



Mid-Day PEAK HOUR TURNING MOVEMENT DATA
 All Vehicles

Start Time	TH 65				N/A				TH 65				TH 10 South Ramp				Int. Total
	Southbound				Westbound				Northbound				Eastbound				
	Left	Thru	Right	Peds	Left	Thru	Right	Peds	Left	Thru	Right	Peds	Left	Thru	Right	Peds	
13:45	0	223	115	0	0	0	0	0	0	332	22	0	144	0	71	0	907
14:00	0	210	115	0	0	0	0	0	0	358	19	0	132	0	60	0	894
14:15	0	225	99	0	0	0	0	0	0	372	24	1	153	0	86	0	959
14:30	1	247	112	0	0	0	0	0	0	508	35	0	143	0	79	0	1125
Total	1	905	441	0	0	0	0	0	0	1570	100	1	572	0	296	0	3885
% App. Total	0.1	67.2	32.7	0.0	0.0	0.0	0.0	0.0	0.0	116.6	7.4	0.1	42.5	0.0	22.0	0.0	
PHF	0.250	0.916	0.959	0.000	0.000	0.000	0.000	0.000	0.000	0.773	0.714	0.250	0.935	0.000	0.860	0.000	0.863
% Trucks	0.0	3.8	6.0	0.0	0.0	0.0	0.0	0.0	0.0	3.5	3.1	0.0	3.2	0.0	2.8	0.0	3.7
	4.5				0.0				3.5				3.1				

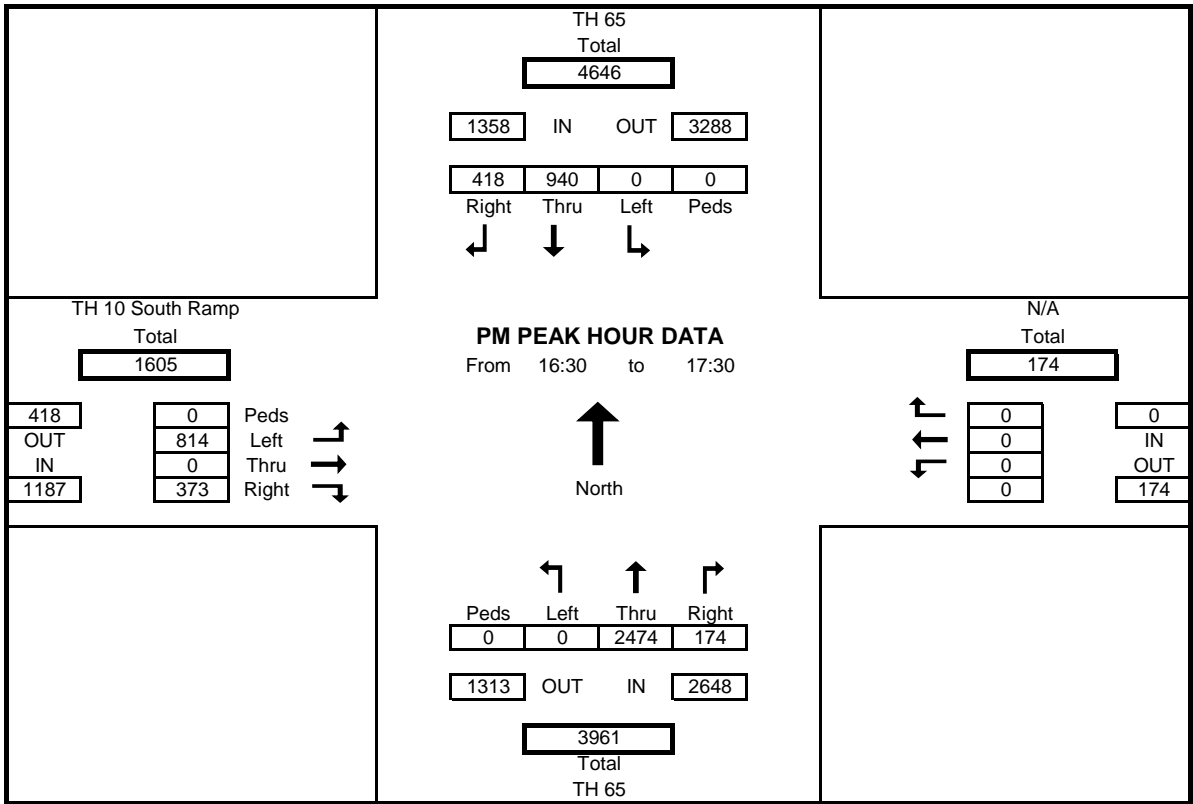


Location: TH 65 at TH 10 South Ramp
 Count Date: 4/11/2017
 Counted By: JDA



AM PEAK HOUR TURNING MOVEMENT DATA
 All Vehicles

Start Time	TH 65				N/A				TH 65				TH 10 South Ramp				Int. Total
	Southbound				Westbound				Northbound				Eastbound				
	Left	Thru	Right	Peds	Left	Thru	Right	Peds	Left	Thru	Right	Peds	Left	Thru	Right	Peds	
16:30	0	233	123	0	0	0	0	0	0	682	51	0	176	0	85	0	1350
16:45	0	259	107	0	0	0	0	0	0	585	34	0	234	0	92	0	1311
17:00	0	251	104	0	0	0	0	0	0	596	44	0	192	0	103	0	1290
17:15	0	197	84	0	0	0	0	0	0	611	45	0	212	0	93	0	1242
Total	0	940	418	0	0	0	0	0	0	2474	174	0	814	0	373	0	5193
% App. Total	0.0	69.2	30.8	0.0	0.0	0.0	0.0	0.0	0.0	182.2	12.8	0.0	59.9	0.0	27.5	0.0	
PHF	0.000	0.907	0.850	0.000	0.000	0.000	0.000	0.000	0.000	0.907	0.853	0.000	0.870	0.000	0.905	0.000	0.962
% Trucks	0.0	1.5	3.2	0.0	0.0	0.0	0.0	0.0	0.0	1.3	2.4	0.0	1.2	0.0	2.2	0.0	1.6
	2.0				0.0				1.4				1.5				



Location: TH 65 at TH 10 South Ramp
 Count Date: 4/11/2017
 Counted By: JDA



TURNING MOVEMENT COUNT DATA

Cars+

Start Time	TH 65				N/A				TH 65				TH 10 South Ramp				Int. Total
	Southbound				Westbound				Northbound				Eastbound				
	Left	Thru	Right	Peds	Left	Thru	Right	Peds	Left	Thru	Right	Peds	Left	Thru	Right	Peds	
6:00	0	320	173	0	0	0	0	0	0	65	10	0	45	0	60	0	673
6:15	0	472	158	0	0	0	0	0	0	104	10	0	72	0	121	0	937
6:30	0	493	179	0	0	0	0	0	0	115	7	0	109	0	126	0	1029
6:45	0	558	132	0	0	0	0	0	0	177	2	0	98	0	165	0	1132
7:00	0	540	130	0	0	0	0	0	0	154	11	0	102	0	168	0	1105
7:15	0	532	159	0	0	0	0	0	0	174	5	0	112	0	143	0	1125
7:30	0	638	123	0	0	0	0	0	0	214	4	0	96	0	139	0	1214
7:45	0	521	112	0	0	0	0	0	0	174	10	0	149	0	192	0	1158
8:00	0	518	118	0	0	0	0	0	0	194	15	0	89	0	98	0	1032
8:15	0	426	152	0	0	0	0	0	0	180	9	0	107	0	112	0	986
8:30	0	339	126	0	0	0	0	0	0	170	23	0	108	0	119	0	885
8:45	0	375	146	0	0	0	0	0	0	233	21	0	87	0	109	0	971
9:00	0	306	128	0	0	0	0	0	0	195	22	0	104	0	70	0	825
9:15	0	252	178	0	0	0	0	0	0	200	18	0	85	0	66	0	799
9:30	0	268	159	0	0	0	0	0	0	191	13	0	98	0	58	0	787
9:45	1	226	128	0	0	0	0	0	0	198	10	0	119	0	59	0	741
10:00	0	206	133	0	0	0	0	0	0	190	19	0	76	0	58	0	682
10:15	0	215	118	0	0	0	0	0	0	213	17	0	83	0	63	0	709
10:30	0	206	112	0	0	0	0	0	0	230	7	0	80	0	47	0	682
10:45	0	205	91	0	0	0	0	0	0	256	17	0	108	0	62	0	739
11:00	0	225	107	0	0	0	0	0	0	233	15	0	77	1	55	0	713
11:15	0	220	95	0	0	0	0	0	0	286	16	0	90	0	48	0	755
11:30	0	241	87	0	0	0	0	0	0	284	26	0	88	0	51	0	777
11:45	0	256	112	0	0	0	0	0	0	245	20	0	97	1	76	0	807
12:00	0	216	92	0	0	0	0	0	0	285	18	0	95	0	60	0	766
12:15	0	237	96	0	0	0	0	0	0	304	19	0	93	1	54	0	804
12:30	0	258	112	0	0	0	0	0	0	315	27	0	87	0	62	0	861
12:45	0	230	106	0	0	0	0	0	0	276	30	0	115	0	54	0	811
13:00	0	216	107	0	0	0	0	0	0	296	26	0	114	0	63	0	822
13:15	0	217	117	0	0	0	0	0	0	319	35	0	125	1	49	0	863
13:30	0	215	118	0	0	0	0	0	0	302	25	0	119	0	72	0	851
13:45	0	217	107	0	0	0	0	0	0	320	22	0	142	0	70	0	878
14:00	0	206	109	0	0	0	0	0	0	347	16	0	127	0	57	0	862
14:15	0	217	96	0	0	0	0	0	0	360	24	1	151	0	83	0	931
14:30	1	232	104	0	0	0	0	0	0	490	35	0	134	0	78	0	1074
14:45	0	203	101	0	0	0	0	0	0	525	37	0	178	0	95	0	1139
15:00	0	229	87	0	0	0	0	0	0	509	29	0	172	0	69	0	1095
15:15	1	240	98	0	0	0	0	0	0	573	39	0	173	0	91	0	1215
15:30	1	228	104	0	0	0	0	0	0	533	52	0	202	0	100	0	1220
15:45	0	219	97	0	0	0	0	0	0	598	55	0	208	0	102	0	1279
16:00	0	214	118	0	0	0	0	0	0	577	55	0	181	0	84	1	1229
16:15	0	223	106	0	0	0	0	0	0	546	32	0	209	0	92	0	1208
16:30	0	226	117	0	0	0	0	0	0	676	50	0	175	0	84	0	1328
16:45	0	256	103	0	0	0	0	0	0	579	34	0	230	0	90	0	1292
17:00	0	250	103	0	0	0	0	0	0	584	44	0	190	0	100	0	1271
17:15	0	194	82	0	0	0	0	0	0	603	42	0	209	0	91	0	1221
17:30	0	226	89	0	0	0	0	0	0	546	43	0	198	0	79	0	1181
17:45	0	227	67	0	0	0	0	0	0	564	28	0	173	0	81	0	1140
18:00	0	224	98	0	0	0	0	0	0	444	18	0	201	0	70	0	1055
18:15	0	188	90	0	0	0	0	0	0	401	26	0	150	0	87	0	942
18:30	0	202	84	0	0	0	0	0	0	394	17	0	157	0	67	0	921
18:45	0	214	76	0	0	0	0	0	0	354	13	0	170	0	71	0	898
Total	4	14782	5940	0	0	0	0	0	0	17295	1218	1	6757	4	4420	1	50420
Cars+	4	14782	5940	0	0	0	0	0	0	17295	1218	1	6757	4	4420	1	50420
Trucks	0	388	269	0	0	0	0	0	0	574	68	0	297	0	124	0	1720
% Trucks	0.0	2.6	4.5	0.0	0.0	0.0	0.0	0.0	0.0	3.3	5.6	0.0	4.4	0.0	2.8	0.0	3.4
		3.2				0.0				3.5				3.8			

Location: TH 65 at TH 10 South Ramp
 Count Date: 4/11/2017
 Counted By: JDA



TURNING MOVEMENT COUNT DATA
Heavy Vehicles

Start Time	TH 65				N/A				TH 65				TH 10 South Ramp				Int. Total
	Southbound				Westbound				Northbound				Eastbound				
	Left	Thru	Right	Bikes	Left	Thru	Right	Bikes	Left	Thru	Right	Bikes	Left	Thru	Right	Bikes	
6:00	0	5	6	0	0	0	0	0	0	6	2	0	2	0	2	0	23
6:15	0	7	7	0	0	0	0	0	0	5	0	0	6	0	1	0	26
6:30	0	10	4	0	0	0	0	0	0	8	0	0	5	0	4	0	31
6:45	0	7	3	0	0	0	0	0	0	8	3	0	3	0	3	0	27
7:00	0	9	5	0	0	0	0	0	0	10	0	0	6	0	5	0	35
7:15	0	11	4	0	0	0	0	0	0	3	2	0	8	0	2	0	30
7:30	0	15	4	0	0	0	0	0	0	12	1	0	3	0	1	0	36
7:45	0	10	6	0	0	0	0	0	0	18	2	0	8	0	4	0	48
8:00	0	8	4	0	0	0	0	0	0	11	1	0	2	0	3	0	29
8:15	0	13	5	0	0	0	0	0	0	10	3	0	7	0	7	0	45
8:30	0	5	8	0	0	0	0	0	0	11	5	0	7	0	1	0	37
8:45	0	11	11	0	0	0	0	0	0	13	1	0	9	0	2	0	47
9:00	0	9	6	0	0	0	0	0	0	15	2	0	6	0	1	0	39
9:15	0	9	6	0	0	0	0	0	0	8	0	0	8	0	2	0	33
9:30	0	7	7	0	0	0	0	0	0	18	1	0	8	0	5	0	46
9:45	0	10	3	0	0	0	0	0	0	17	1	0	8	0	1	0	40
10:00	0	8	5	0	0	0	0	0	0	20	0	0	3	0	1	0	37
10:15	0	1	5	0	0	0	0	0	0	20	2	0	7	0	1	0	36
10:30	0	6	7	0	0	0	0	0	0	14	1	0	7	0	1	0	36
10:45	0	9	11	0	0	0	0	0	0	9	1	0	8	0	1	0	39
11:00	0	11	8	0	0	0	0	0	0	8	1	0	4	0	0	0	32
11:15	0	10	4	0	0	0	0	0	0	9	2	0	6	0	3	0	34
11:30	0	9	6	0	0	0	0	0	0	20	1	0	9	0	4	0	49
11:45	0	5	5	0	0	0	0	0	0	12	1	0	3	0	2	0	28
12:00	0	8	7	0	0	0	0	0	0	14	0	0	14	0	3	0	46
12:15	0	11	4	0	0	0	0	0	0	10	3	0	10	0	7	0	45
12:30	0	3	11	0	0	0	0	0	0	15	2	0	8	0	3	0	42
12:45	0	17	7	0	0	0	0	0	0	14	1	0	7	0	3	0	49
13:00	0	11	7	0	0	0	0	0	0	8	2	0	6	0	0	0	34
13:15	0	2	6	0	0	0	0	0	0	13	2	0	9	0	2	0	34
13:30	0	8	3	0	0	0	0	0	0	12	0	0	8	0	3	0	34
13:45	0	6	8	0	0	0	0	0	0	12	0	0	2	0	1	0	29
14:00	0	4	6	0	0	0	0	0	0	11	3	0	5	0	3	0	32
14:15	0	8	3	0	0	0	0	0	0	12	0	0	2	0	3	0	28
14:30	0	15	8	0	0	0	0	0	0	18	0	0	9	0	1	0	51
14:45	0	9	6	0	0	0	0	0	0	12	6	0	9	0	6	0	48
15:00	0	8	3	0	0	0	0	0	0	18	1	0	10	0	2	0	42
15:15	0	7	4	0	0	0	0	0	0	13	1	0	4	0	2	0	31
15:30	0	9	6	0	0	0	0	0	0	8	0	0	6	0	3	0	32
15:45	0	7	2	0	0	0	0	0	0	10	2	0	8	0	2	0	31
16:00	0	7	3	0	0	0	0	0	0	17	3	0	2	0	5	0	37
16:15	0	9	3	0	0	0	0	0	0	9	1	0	1	0	1	0	24
16:30	0	7	6	0	0	0	0	0	0	6	1	0	1	0	1	0	22
16:45	0	3	4	0	0	0	0	0	0	6	0	0	4	0	2	0	19
17:00	0	1	1	0	0	0	0	0	0	12	0	0	2	0	3	0	19
17:15	0	3	2	0	0	0	0	0	0	8	3	0	3	0	2	0	21
17:30	0	2	4	0	0	0	0	0	0	4	1	0	3	0	1	0	15
17:45	0	7	5	0	0	0	0	0	0	7	0	0	6	0	3	0	28
18:00	0	5	3	0	0	0	0	0	0	6	1	0	4	0	1	0	20
18:15	0	3	3	0	0	0	0	0	0	6	1	0	3	0	0	0	16
18:30	0	2	1	0	0	0	0	0	0	3	1	0	3	0	1	0	11
18:45	0	1	3	0	0	0	0	0	0	5	0	0	5	0	3	0	17
Total	0	388	269	0	0	0	0	0	0	574	68	0	297	0	124	0	1720
Cars+	4	14782	5940	0	0	0	0	0	0	17295	1218	1	6757	4	4420	1	50420
Trucks	0	388	269	0	0	0	0	0	0	574	68	0	297	0	124	0	1720
% Trucks	0.0	2.6	4.5	0.0	0.0	0.0	0.0	0.0	0.0	3.3	5.6	0.0	4.4	0.0	2.8	0.0	3.4
		3.2				0.0				3.5				3.8			