



MINNESOTA DEPT OF TRANSPORTATION

TRAFFIC DATA COLLECTION - METRO

loc: th 65 @ 117th ave ne 2003
 ref pt: 014+00.451
 data collected by: alliant eng
 tmc: am noon pm

File Name : T.H. 65 at 117th
 Site Code : 00000026
 Start Date : 8/26/2003
 Page No : 1

Groups Printed- Unshifted

Start Time	T.H. 65 Southbound					117th Ave. NE Westbound					T.H. 65 Northbound					117th Ave. NE Eastbound					Int. Total
	Left	Thru	Right	Peds	App. Total	Left	Thru	Right	Peds	App. Total	Left	Thru	Right	Peds	App. Total	Left	Thru	Right	Peds	App. Total	
06:00	3	373	2	0	378	10	0	1	0	11	3	47	1	0	51	2	0	12	1	15	455
06:15	7	652	2	0	661	8	1	1	0	10	1	134	3	0	138	4	3	8	0	15	824
06:30	13	706	5	0	724	10	3	3	0	16	3	137	6	0	146	3	2	18	0	23	909
06:45	13	560	19	0	592	7	3	2	0	12	2	199	8	0	209	3	4	9	0	16	829
Total	36	2291	28	0	2355	35	7	7	0	49	9	517	18	0	544	12	9	47	1	69	3017
07:00	6	486	9	0	501	10	2	2	0	14	6	148	5	0	159	6	0	12	0	18	692
07:15	9	490	4	1	504	16	1	3	0	20	5	176	6	0	187	4	1	11	1	17	728
07:30	3	506	4	0	513	15	3	2	0	20	3	172	7	0	182	2	0	22	0	24	739
07:45	3	509	5	0	517	18	1	6	0	25	4	207	22	0	233	2	4	12	0	18	793
Total	21	1991	22	1	2035	59	7	13	0	79	18	703	40	0	761	14	5	57	1	77	2952
08:00	3	540	6	0	549	22	1	2	0	25	6	164	13	0	183	1	2	16	0	19	776
08:15	4	479	2	0	485	16	1	4	0	21	8	160	13	0	181	3	2	19	0	24	711
08:30	4	376	4	0	384	10	1	1	0	12	5	161	8	0	174	5	2	14	0	21	591
08:45	3	335	4	0	342	14	0	5	0	19	13	206	12	0	231	4	3	9	0	16	608
Total	14	1730	16	0	1760	62	3	12	0	77	32	691	46	0	769	13	9	58	0	80	2686
11:00	5	255	4	0	264	13	3	5	0	21	10	234	16	0	260	4	3	12	0	19	564
11:15	6	270	4	1	281	16	4	7	0	27	6	237	29	0	272	10	1	9	0	20	600
11:30	9	306	7	0	322	17	10	5	0	32	10	254	25	0	289	3	3	13	0	19	662
11:45	15	269	2	0	286	18	7	4	0	29	18	280	27	0	325	1	6	10	0	17	657
Total	35	1100	17	1	1153	64	24	21	0	109	44	1005	97	0	1146	18	13	44	0	75	2483
12:00	70	253	9	0	332	16	1	8	0	25	13	254	28	0	295	6	2	13	0	21	673
12:15	7	251	5	0	263	18	4	11	0	33	5	275	13	0	293	1	1	6	0	8	597
12:30	6	311	1	0	318	16	0	6	0	22	7	282	9	0	298	6	1	9	0	16	654
12:45	11	269	14	0	294	25	1	5	0	31	8	242	14	0	264	7	3	7	0	17	606
Total	94	1084	29	0	1207	75	6	30	0	111	33	1053	64	0	1150	20	7	35	0	62	2530



MINNESOTA DEPT OF TRANSPORTATION

TRAFFIC DATA COLLECTION - METRO

File Name : T.H. 65 at 117th
 Site Code : 00000026
 Start Date : 8/26/2003
 Page No : 2

Groups Printed- Unshifted

Start Time	T.H. 65 Southbound					117th Ave. NE Westbound					T.H. 65 Northbound					117th Ave. NE Eastbound					Int. Total
	Left	Thru	Right	Peds	App. Total	Left	Thru	Right	Peds	App. Total	Left	Thru	Right	Peds	App. Total	Left	Thru	Right	Peds	App. Total	
15:00	4	309	5	0	318	8	6	7	0	21	13	442	20	0	475	5	1	6	0	12	826
15:15	7	293	4	0	304	8	1	6	0	15	16	431	19	3	469	6	7	11	0	24	812
15:30	4	254	6	0	264	8	1	8	0	17	16	427	31	0	474	5	4	9	0	18	773
15:45	9	252	8	0	269	28	5	5	0	38	18	578	20	0	616	10	4	8	0	22	945
Total	24	1108	23	0	1155	52	13	26	0	91	63	1878	90	3	2034	26	16	34	0	76	3356
16:00	10	266	6	2	284	14	2	9	0	25	20	548	22	0	590	14	2	7	0	23	922
16:15	6	266	7	0	279	24	6	12	0	42	19	549	20	0	588	8	5	7	0	20	929
16:30	3	293	9	0	305	24	6	4	0	34	18	514	21	0	553	4	1	5	0	10	902
16:45	5	265	8	0	278	16	4	11	0	31	15	472	36	4	527	7	9	14	0	30	866
Total	24	1090	30	2	1146	78	18	36	0	132	72	2083	99	4	2258	33	17	33	0	83	3619
17:00	9	266	10	0	285	13	5	4	0	22	15	551	28	0	594	9	6	7	0	22	923
17:15	9	252	24	0	285	18	4	3	0	25	15	538	18	0	571	8	5	10	0	23	904
17:30	3	301	11	0	315	21	5	6	0	32	18	517	16	0	551	9	8	17	0	34	932
17:45	8	264	4	0	276	12	6	10	0	28	22	475	30	0	527	10	8	14	0	32	863
Total	29	1083	49	0	1161	64	20	23	0	107	70	2081	92	0	2243	36	27	48	0	111	3622
Grand Total	277	11477	214	4	11972	489	98	168	0	755	341	10011	546	7	10905	172	103	356	2	633	24265
Apprch %	2.3	95.9	1.8	0		64.8	13	22.3	0		3.1	91.8	5	0.1		27.2	16.3	56.2	0.3		
Total %	1.1	47.3	0.9	0	49.3	2	0.4	0.7	0	3.1	1.4	41.3	2.3	0	44.9	0.7	0.4	1.5	0	2.6	

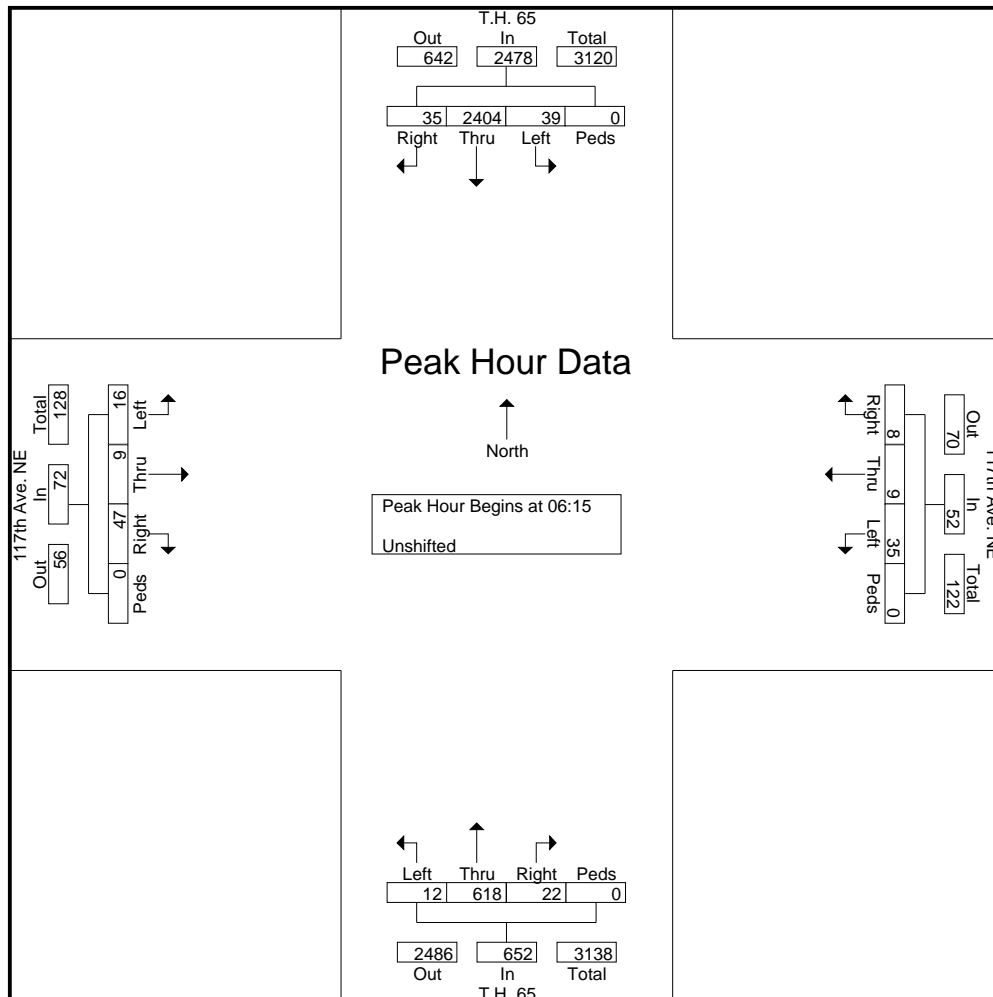


MINNESOTA DEPT OF TRANSPORTATION

TRAFFIC DATA COLLECTION - METRO

File Name : T.H. 65 at 117th
 Site Code : 00000026
 Start Date : 8/26/2003
 Page No : 3

Start Time	T.H. 65 Southbound					117th Ave. NE Westbound					T.H. 65 Northbound					117th Ave. NE Eastbound					Int. Total
	Left	Thru	Right	Peds	App. Total	Left	Thru	Right	Peds	App. Total	Left	Thru	Right	Peds	App. Total	Left	Thru	Right	Peds	App. Total	
Peak Hour Analysis From 06:00 to 09:45 - Peak 1 of 1																					
Peak Hour for Entire Intersection Begins at 06:15																					
06:15	7	652	2	0	661	8	1	1	0	10	1	134	3	0	138	4	3	8	0	15	824
06:30	13	706	5	0	724	10	3	3	0	16	3	137	6	0	146	3	2	18	0	23	909
06:45	13	560	19	0	592	7	3	2	0	12	2	199	8	0	209	3	4	9	0	16	829
07:00	6	486	9	0	501	10	2	2	0	14	6	148	5	0	159	6	0	12	0	18	692
Total Volume	39	2404	35	0	2478	35	9	8	0	52	12	618	22	0	652	16	9	47	0	72	3254
% App. Total	1.6	97	1.4	0		67.3	17.3	15.4	0		1.8	94.8	3.4	0		22.2	12.5	65.3	0		
PHF	.750	.851	.461	.000	.856	.875	.750	.667	.000	.813	.500	.776	.688	.000	.780	.667	.563	.653	.000	.783	.895



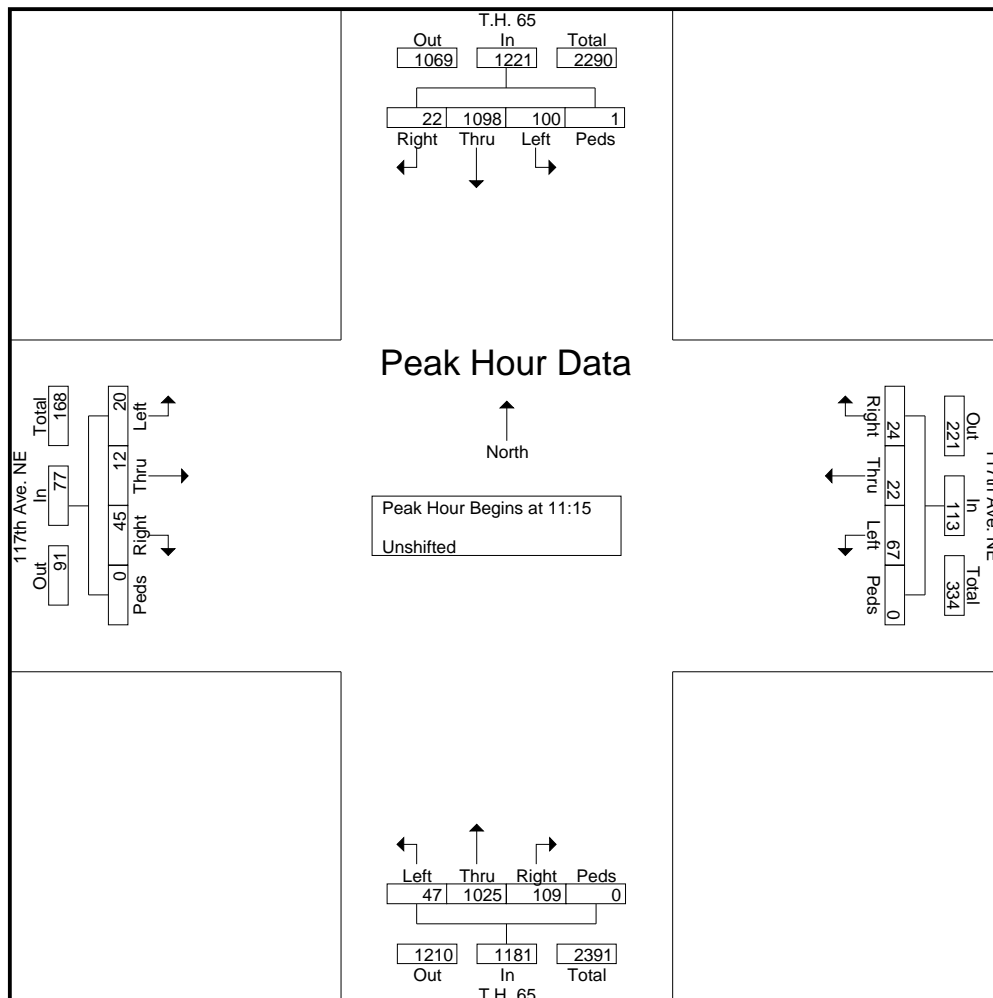


MINNESOTA DEPT OF TRANSPORTATION

TRAFFIC DATA COLLECTION - METRO

File Name : T.H. 65 at 117th
 Site Code : 00000026
 Start Date : 8/26/2003
 Page No : 4

Start Time	T.H. 65 Southbound					117th Ave. NE Westbound					T.H. 65 Northbound					117th Ave. NE Eastbound					Int. Total
	Left	Thru	Right	Peds	App. Total	Left	Thru	Right	Peds	App. Total	Left	Thru	Right	Peds	App. Total	Left	Thru	Right	Peds	App. Total	
Peak Hour Analysis From 10:00 to 13:45 - Peak 1 of 1																					
Peak Hour for Entire Intersection Begins at 11:15																					
11:15	6	270	4	1	281	16	4	7	0	27	6	237	29	0	272	10	1	9	0	20	600
11:30	9	306	7	0	322	17	10	5	0	32	10	254	25	0	289	3	3	13	0	19	662
11:45	15	269	2	0	286	18	7	4	0	29	18	280	27	0	325	1	6	10	0	17	657
12:00	70	253	9	0	332	16	1	8	0	25	13	254	28	0	295	6	2	13	0	21	673
Total Volume	100	1098	22	1	1221	67	22	24	0	113	47	1025	109	0	1181	20	12	45	0	77	2592
% App. Total	8.2	89.9	1.8	0.1		59.3	19.5	21.2	0		4	86.8	9.2	0		26	15.6	58.4	0		
PHF	.357	.897	.611	.250	.919	.931	.550	.750	.000	.883	.653	.915	.940	.000	.908	.500	.500	.865	.000	.917	.963





MINNESOTA DEPT OF TRANSPORTATION

TRAFFIC DATA COLLECTION - METRO

File Name : T.H. 65 at 117th
 Site Code : 00000026
 Start Date : 8/26/2003
 Page No : 5

Start Time	T.H. 65 Southbound					117th Ave. NE Westbound					T.H. 65 Northbound					117th Ave. NE Eastbound					Int. Total
	Left	Thru	Right	Peds	App. Total	Left	Thru	Right	Peds	App. Total	Left	Thru	Right	Peds	App. Total	Left	Thru	Right	Peds	App. Total	
Peak Hour Analysis From 14:00 to 17:45 - Peak 1 of 1																					
Peak Hour for Entire Intersection Begins at 15:45																					
15:45	9	252	8	0	269	28	5	5	0	38	18	578	20	0	616	10	4	8	0	22	945
16:00	10	266	6	2	284	14	2	9	0	25	20	548	22	0	590	14	2	7	0	23	922
16:15	6	266	7	0	279	24	6	12	0	42	19	549	20	0	588	8	5	7	0	20	929
16:30	3	293	9	0	305	24	6	4	0	34	18	514	21	0	553	4	1	5	0	10	902
Total Volume	28	1077	30	2	1137	90	19	30	0	139	75	2189	83	0	2347	36	12	27	0	75	3698
% App. Total	2.5	94.7	2.6	0.2		64.7	13.7	21.6	0		3.2	93.3	3.5	0		48	16	36	0		
PHF	.700	.919	.833	.250	.932	.804	.792	.625	.000	.827	.938	.947	.943	.000	.953	.643	.600	.844	.000	.815	.978

