



# MINNESOTA DEPT OF TRANSPORTATION

## TRAFFIC DATA COLLECTION - METRO

loc: th 65 @ 129th ave ne 2003  
 ref pt: 015+00.916  
 data collected by: alliant eng  
 tmc: am noon pm

File Name : T.H. 65 at 129th  
 Site Code : 00000029  
 Start Date : 8/28/2003  
 Page No : 1

Groups Printed- Unshifted

Start Time	T.H. 65 Southbound					129th Ave. NE Westbound					T.H. 65 Northbound					129th Ave. NE Eastbound					Int. Total
	Left	Thru	Right	Peds	App. Total	Left	Thru	Right	Peds	App. Total	Left	Thru	Right	Peds	App. Total	Left	Thru	Right	Peds	App. Total	
06:00	7	554	8	1	570	18	3	2	1	24	3	74	2	0	79	2	2	12	1	17	690
06:15	6	558	13	0	577	15	3	5	0	23	2	141	4	0	147	4	0	17	0	21	768
06:30	10	573	8	0	591	17	2	6	0	25	6	122	1	0	129	0	5	36	0	41	786
06:45	18	569	8	0	595	15	1	7	0	23	10	147	8	0	165	4	9	25	0	38	821
Total	41	2254	37	1	2333	65	9	20	1	95	21	484	15	0	520	10	16	90	1	117	3065
07:00	16	533	14	0	563	22	2	10	0	34	2	122	11	0	135	7	3	22	0	32	764
07:15	7	581	17	0	605	25	4	9	0	38	1	166	9	0	176	1	5	26	0	32	851
07:30	6	597	11	0	614	23	3	15	0	41	2	135	10	0	147	3	2	42	0	47	849
07:45	17	460	10	0	487	11	1	10	0	22	5	153	7	0	165	3	7	18	0	28	702
Total	46	2171	52	0	2269	81	10	44	0	135	10	576	37	0	623	14	17	108	0	139	3166
08:00	6	397	17	0	420	9	4	13	0	26	7	127	5	0	139	2	3	19	0	24	609
08:15	11	388	17	0	416	19	5	8	0	32	6	153	9	0	168	8	1	26	0	35	651
08:30	16	343	9	0	368	22	5	10	0	37	2	133	11	0	146	7	6	19	0	32	583
08:45	9	304	10	0	323	15	2	12	0	29	11	133	10	0	154	3	8	18	0	29	535
Total	42	1432	53	0	1527	65	16	43	0	124	26	546	35	0	607	20	18	82	0	120	2378
11:00	21	282	17	0	320	14	2	23	2	41	7	227	11	0	245	6	6	13	3	28	634
11:15	22	301	3	0	326	24	0	38	0	62	9	185	11	0	205	6	4	6	2	18	611
11:30	30	224	13	0	267	14	6	22	0	42	16	213	11	0	240	10	7	5	0	22	571
11:45	21	296	14	0	331	14	7	32	0	53	5	227	20	0	252	6	10	7	0	23	659
Total	94	1103	47	0	1244	66	15	115	2	198	37	852	53	0	942	28	27	31	5	91	2475
12:00	50	238	10	0	298	17	9	28	0	54	7	202	24	0	233	6	10	19	1	36	621
12:15	44	241	15	0	300	13	11	38	0	62	10	226	16	0	252	4	4	12	0	20	634
12:30	25	238	7	0	270	22	5	42	0	69	4	249	21	0	274	12	8	9	0	29	642
12:45	28	277	10	0	315	26	10	33	0	69	14	236	16	0	266	10	6	13	0	29	679
Total	147	994	42	0	1183	78	35	141	0	254	35	913	77	0	1025	32	28	53	1	114	2576
15:00	19	227	16	0	262	11	9	47	0	67	11	409	23	0	443	5	8	13	1	27	799
15:15	40	320	11	0	371	18	7	53	0	78	9	440	27	0	476	6	11	15	0	32	957
15:30	32	255	9	0	296	18	13	62	0	93	9	439	29	0	477	11	9	14	0	34	900
15:45	25	262	13	0	300	16	5	58	1	80	12	478	30	0	520	9	13	12	0	34	934
Total	116	1064	49	0	1229	63	34	220	1	318	41	1766	109	0	1916	31	41	54	1	127	3590
16:00	37	232	17	0	286	14	11	59	0	84	20	459	25	0	504	10	13	17	0	40	914
16:15	27	289	8	0	324	19	7	58	0	84	19	469	24	0	512	7	13	19	1	40	960
16:30	28	292	11	0	331	14	8	52	0	74	12	467	34	0	513	11	11	17	0	39	957
16:45	32	274	15	0	321	22	11	56	0	89	11	432	18	0	461	8	15	15	0	38	909
Total	124	1087	51	0	1262	69	37	225	0	331	62	1827	101	0	1990	36	52	68	1	157	3740
17:00	45	277	13	0	335	22	11	57	1	91	16	471	29	0	516	4	10	23	1	38	980
17:15	22	313	8	0	343	15	13	65	0	93	13	515	30	0	558	9	8	20	1	38	1032
17:30	30	307	12	0	349	33	14	68	0	115	10	439	22	0	471	15	12	19	1	47	982
17:45	30	250	6	0	286	25	7	60	0	92	22	499	34	0	555	9	12	17	0	38	971
Total	127	1147	39	0	1313	95	45	250	1	391	61	1924	115	0	2100	37	42	79	3	161	3965



# MINNESOTA DEPT OF TRANSPORTATION

## TRAFFIC DATA COLLECTION - METRO

File Name : T.H. 65 at 129th  
 Site Code : 00000029  
 Start Date : 8/28/2003  
 Page No : 2

Groups Printed- Unshifted

	T.H. 65 Southbound					129th Ave. NE Westbound					T.H. 65 Northbound					129th Ave. NE Eastbound					Int. Total
	Left	Thru	Right	Peds	App. Total	Left	Thru	Right	Peds	App. Total	Left	Thru	Right	Peds	App. Total	Left	Thru	Right	Peds	App. Total	
Grand Total	737	11252	370	1	12360	582	201	1058	5	1846	293	8888	542	0	9723	208	241	565	12	1026	24955
Apprch %	6	91	3	0		31.5	10.9	57.3	0.3		3	91.4	5.6	0		20.3	23.5	55.1	1.2		
Total %	3	45.1	1.5	0	49.5	2.3	0.8	4.2	0	7.4	1.2	35.6	2.2	0	39	0.8	1	2.3	0	4.1	

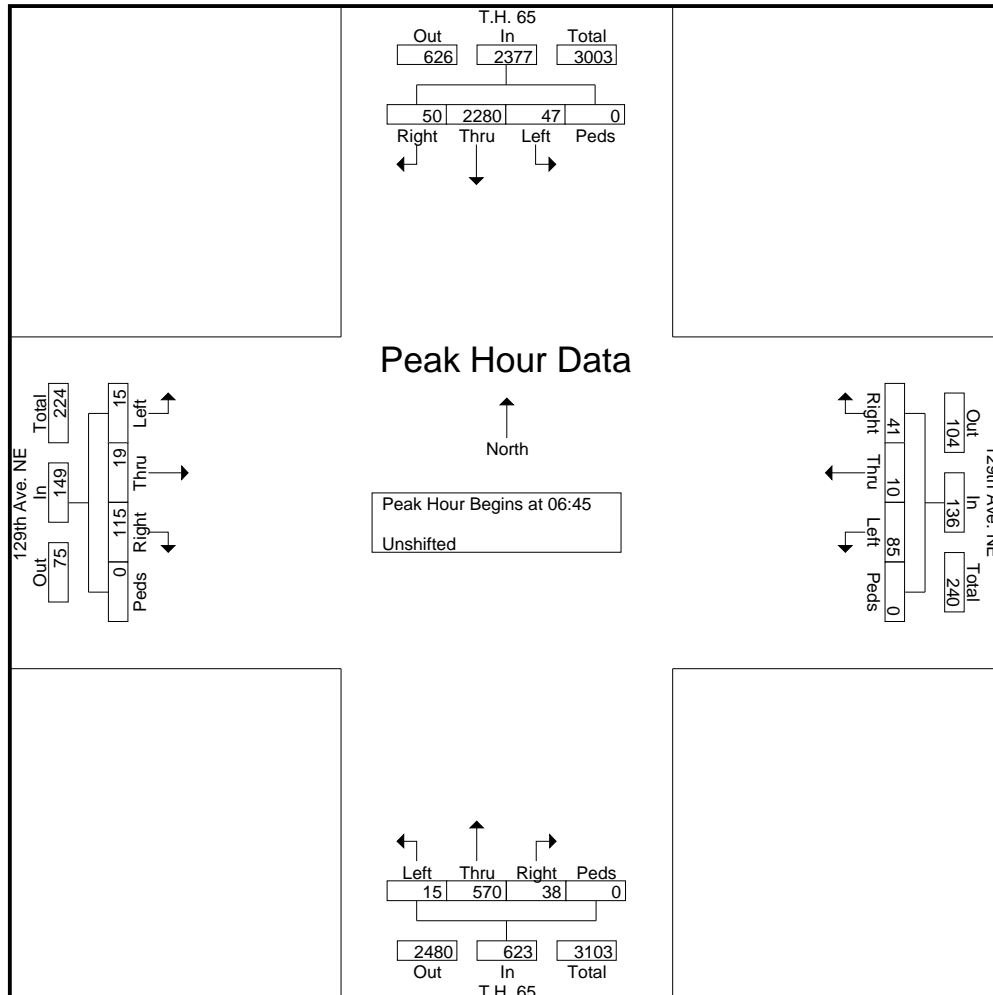


# MINNESOTA DEPT OF TRANSPORTATION

## TRAFFIC DATA COLLECTION - METRO

File Name : T.H. 65 at 129th  
 Site Code : 00000029  
 Start Date : 8/28/2003  
 Page No : 3

Start Time	T.H. 65 Southbound					129th Ave. NE Westbound					T.H. 65 Northbound					129th Ave. NE Eastbound					Int. Total
	Left	Thru	Right	Peds	App. Total	Left	Thru	Right	Peds	App. Total	Left	Thru	Right	Peds	App. Total	Left	Thru	Right	Peds	App. Total	
Peak Hour Analysis From 06:00 to 09:45 - Peak 1 of 1																					
Peak Hour for Entire Intersection Begins at 06:45																					
06:45	18	569	8	0	595	15	1	7	0	23	10	147	8	0	165	4	9	25	0	38	821
07:00	16	533	14	0	563	22	2	10	0	34	2	122	11	0	135	7	3	22	0	32	764
07:15	7	581	17	0	605	25	4	9	0	38	1	166	9	0	176	1	5	26	0	32	851
07:30	6	597	11	0	614	23	3	15	0	41	2	135	10	0	147	3	2	42	0	47	849
Total Volume	47	2280	50	0	2377	85	10	41	0	136	15	570	38	0	623	15	19	115	0	149	3285
% App. Total	2	95.9	2.1	0		62.5	7.4	30.1	0		2.4	91.5	6.1	0		10.1	12.8	77.2	0		
PHF	.653	.955	.735	.000	.968	.850	.625	.683	.000	.829	.375	.858	.864	.000	.885	.536	.528	.685	.000	.793	.965



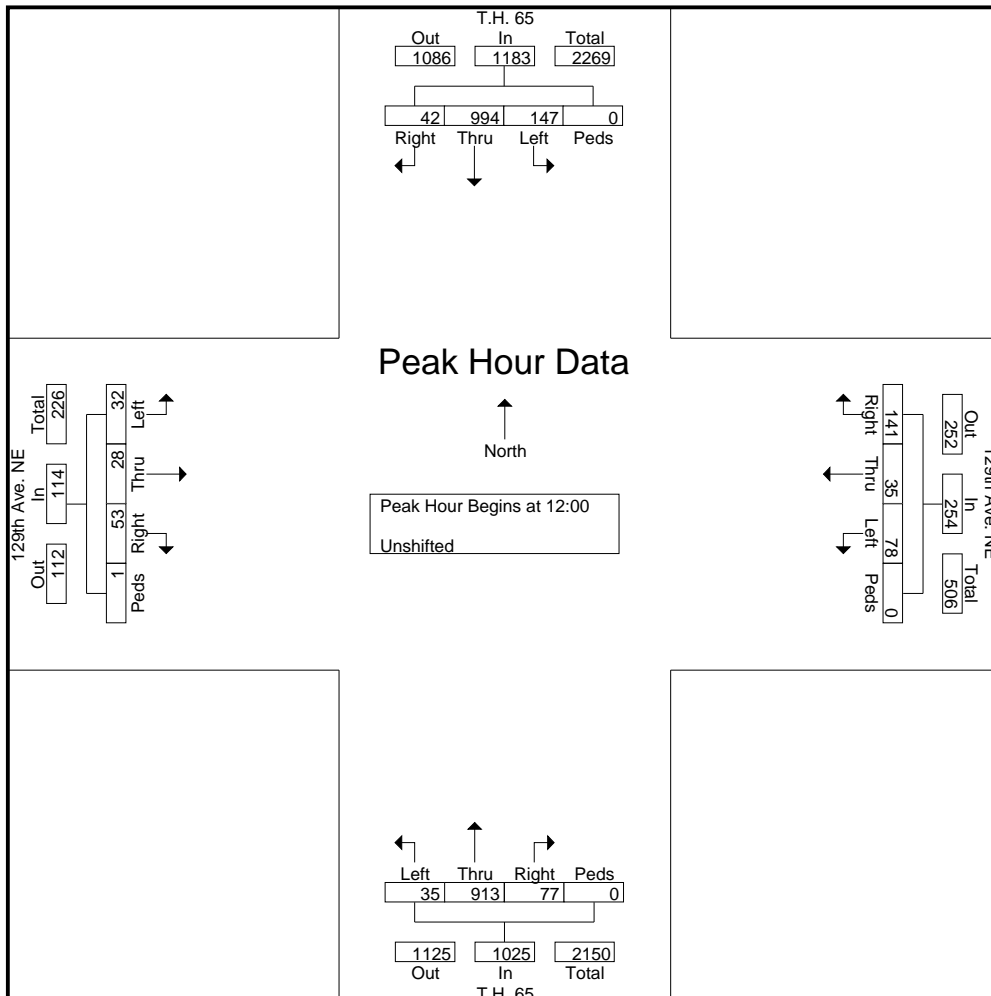


# MINNESOTA DEPT OF TRANSPORTATION

## TRAFFIC DATA COLLECTION - METRO

File Name : T.H. 65 at 129th  
 Site Code : 00000029  
 Start Date : 8/28/2003  
 Page No : 4

Start Time	T.H. 65 Southbound					129th Ave. NE Westbound					T.H. 65 Northbound					129th Ave. NE Eastbound					Int. Total
	Left	Thru	Right	Peds	App. Total	Left	Thru	Right	Peds	App. Total	Left	Thru	Right	Peds	App. Total	Left	Thru	Right	Peds	App. Total	
Peak Hour Analysis From 10:00 to 13:45 - Peak 1 of 1																					
Peak Hour for Entire Intersection Begins at 12:00																					
12:00	50	238	10	0	298	17	9	28	0	54	7	202	24	0	233	6	10	19	1	36	621
12:15	44	241	15	0	300	13	11	38	0	62	10	226	16	0	252	4	4	12	0	20	634
12:30	25	238	7	0	270	22	5	42	0	69	4	249	21	0	274	12	8	9	0	29	642
12:45	28	277	10	0	315	26	10	33	0	69	14	236	16	0	266	10	6	13	0	29	679
Total Volume	147	994	42	0	1183	78	35	141	0	254	35	913	77	0	1025	32	28	53	1	114	2576
% App. Total	12.4	84	3.6	0		30.7	13.8	55.5	0		3.4	89.1	7.5	0		28.1	24.6	46.5	0.9		
PHF	.735	.897	.700	.000	.939	.750	.795	.839	.000	.920	.625	.917	.802	.000	.935	.667	.700	.697	.250	.792	.948





# MINNESOTA DEPT OF TRANSPORTATION

## TRAFFIC DATA COLLECTION - METRO

File Name : T.H. 65 at 129th  
 Site Code : 00000029  
 Start Date : 8/28/2003  
 Page No : 5

Start Time	T.H. 65 Southbound					129th Ave. NE Westbound					T.H. 65 Northbound					129th Ave. NE Eastbound					Int. Total
	Left	Thru	Right	Peds	App. Total	Left	Thru	Right	Peds	App. Total	Left	Thru	Right	Peds	App. Total	Left	Thru	Right	Peds	App. Total	
Peak Hour Analysis From 14:00 to 17:45 - Peak 1 of 1																					
Peak Hour for Entire Intersection Begins at 17:00																					
17:00	45	277	13	0	335	22	11	57	1	91	16	471	29	0	516	4	10	23	1	38	980
17:15	22	313	8	0	343	15	13	65	0	93	13	515	30	0	558	9	8	20	1	38	1032
17:30	30	307	12	0	349	33	14	68	0	115	10	439	22	0	471	15	12	19	1	47	982
17:45	30	250	6	0	286	25	7	60	0	92	22	499	34	0	555	9	12	17	0	38	971
Total Volume	127	1147	39	0	1313	95	45	250	1	391	61	1924	115	0	2100	37	42	79	3	161	3965
% App. Total	9.7	87.4	3	0		24.3	11.5	63.9	0.3		2.9	91.6	5.5	0		23	26.1	49.1	1.9		
PHF	.706	.916	.750	.000	.941	.720	.804	.919	.250	.850	.693	.934	.846	.000	.941	.617	.875	.859	.750	.856	.961

