

Location: TH 65 at Crosstown Blvd (CSAH 18)
 Count Date: 4/4/2017
 Counted By: JDA



TURNING MOVEMENT COUNT DATA
 All Vehicles

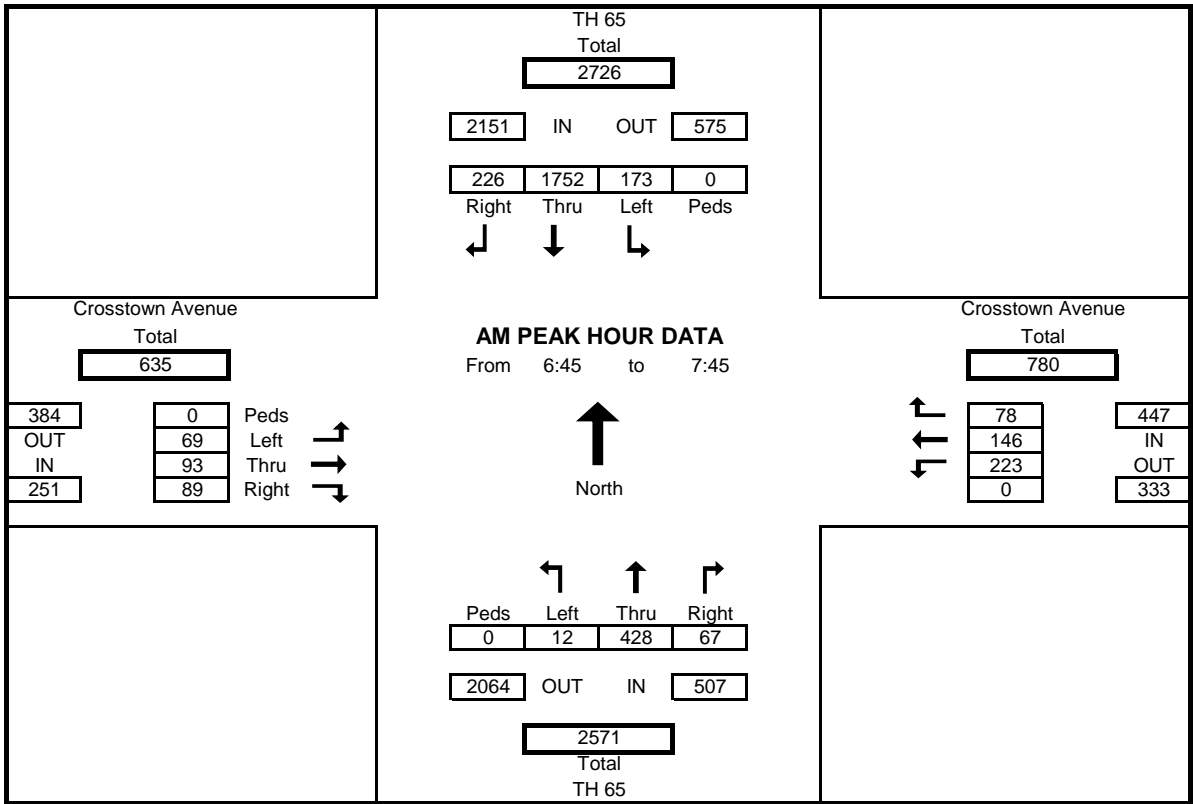
Start Time	TH 65				Crosstown Avenue				TH 65				Crosstown Avenue				Int. Total
	Southbound				Westbound				Northbound				Eastbound				
	Left	Thru	Right	Peds	Left	Thru	Right	Peds	Left	Thru	Right	Peds	Left	Thru	Right	Peds	
6:00	36	423	33	0	23	24	17	0	0	36	11	0	5	5	11	0	624
6:15	31	535	70	0	24	27	13	0	0	68	9	0	9	8	18	0	812
6:30	56	492	54	0	44	36	14	0	1	85	13	0	11	10	19	0	835
6:45	30	435	51	0	48	43	13	0	3	103	11	0	12	31	35	0	815
7:00	39	429	57	0	59	43	16	0	7	83	10	0	14	17	22	0	796
7:15	48	471	56	0	60	33	21	0	2	122	22	0	14	22	12	0	883
7:30	56	417	62	0	56	27	28	0	0	120	24	0	29	23	20	0	862
7:45	33	355	31	0	64	36	19	0	6	131	23	0	14	8	18	0	738
8:00	31	328	44	0	33	21	25	0	10	96	19	0	20	17	17	0	661
8:15	30	320	34	0	31	20	15	0	9	104	19	0	10	17	9	0	618
8:30	52	304	30	0	31	20	17	0	6	87	27	1	22	17	19	0	632
8:45	34	229	25	0	46	18	23	0	9	112	25	0	12	17	20	0	570
9:00	19	196	36	0	42	20	16	0	8	89	30	0	15	12	18	0	501
9:15	34	223	32	0	25	19	16	0	11	108	28	0	11	13	9	0	529
9:30	23	186	20	0	28	29	20	0	12	104	23	0	17	20	19	0	501
9:45	17	230	25	0	34	20	14	0	7	119	23	0	23	15	22	0	549
10:00	19	168	21	0	22	16	8	0	6	122	26	0	14	16	10	0	448
10:15	13	181	10	0	32	15	15	0	8	134	28	0	10	14	14	0	474
10:30	16	153	13	0	34	18	17	0	8	110	23	0	10	25	9	0	436
10:45	16	186	15	0	28	11	11	0	5	128	22	0	9	16	8	0	455
11:00	10	137	8	0	32	14	17	0	11	118	22	0	16	13	5	0	403
11:15	24	168	12	0	31	19	16	0	8	138	36	0	11	17	8	0	488
11:30	17	170	16	0	24	22	24	0	10	144	35	0	14	18	16	0	510
11:45	25	115	16	0	29	20	25	0	12	136	37	0	18	26	12	0	471
12:00	26	152	13	0	38	16	11	0	5	154	40	0	16	32	14	0	517
12:15	28	162	21	0	24	22	30	0	6	136	36	0	17	25	10	0	517
12:30	20	147	14	0	37	27	29	0	9	164	37	0	14	21	11	0	530
12:45	15	121	12	0	34	20	24	0	11	146	36	0	11	17	12	0	459
13:00	14	148	23	0	38	17	24	0	11	144	43	0	16	21	6	0	505
13:15	14	172	19	0	24	17	23	0	14	177	29	0	27	24	22	0	562
13:30	28	155	24	0	25	17	28	0	9	177	25	0	22	22	11	0	543
13:45	17	165	19	0	19	20	24	0	16	213	26	0	12	20	6	0	557
14:00	18	134	24	0	22	18	22	0	9	199	27	0	16	26	17	0	532
14:15	19	162	20	0	27	18	47	0	9	221	40	0	30	26	13	0	632
14:30	18	165	22	0	28	16	28	0	4	260	58	0	30	31	10	0	670
14:45	24	155	19	0	29	19	49	0	10	291	49	0	31	17	10	0	703
15:00	20	117	20	0	29	20	28	0	4	312	33	0	40	43	11	0	677
15:15	21	177	18	0	20	26	40	0	12	422	57	0	37	34	15	0	879
15:30	24	171	18	0	37	36	53	0	25	329	45	0	44	37	22	0	841
15:45	25	216	33	0	28	23	51	0	1	463	65	0	33	50	17	0	1005
16:00	37	164	31	0	45	45	63	0	12	357	54	0	54	40	12	0	914
16:15	29	205	27	0	31	30	70	0	17	527	58	0	52	30	18	0	1094
16:30	28	182	29	0	61	29	70	0	9	429	56	0	53	50	21	0	1017
16:45	31	216	26	0	34	39	70	0	3	492	69	0	50	27	9	0	1066
17:00	29	204	12	0	41	40	60	0	25	439	77	0	47	48	16	0	1038
17:15	22	198	19	0	48	35	72	0	7	523	59	0	51	39	8	0	1081
17:30	22	166	21	0	28	33	70	0	21	425	50	0	55	31	13	0	935
17:45	21	157	25	0	18	23	54	0	5	374	61	0	33	30	11	0	812
18:00	24	128	33	0	52	43	56	0	12	301	44	0	38	37	8	0	776
18:15	26	170	27	0	30	22	53	0	6	316	46	0	28	18	12	0	754
18:30	21	111	18	0	29	16	33	0	13	238	32	0	27	20	10	0	568
18:45	33	84	12	0	20	17	28	0	14	215	47	0	28	23	3	0	524
Total	1363	11355	1370	0	1776	1275	1630	0	458	11041	1845	1	1252	1236	718	0	35319
Cars+	1304	10932	1314	0	1720	1247	1565	0	426	10590	1802	1	1201	1100	668	0	33869
Trucks	59	423	56	0	56	28	65	0	32	451	43	0	51	136	50	0	1450
% Trucks	4.5	3.9	4.3	0.0	3.3	2.2	4.2	0.0	7.5	4.3	2.4	0.0	4.2	12.4	7.5	0.0	4.3
	4.0				3.3				4.1				8.0				

Location: TH 65 at Crosstown Blvd (CSAH 18)
 Count Date: 4/4/2017
 Counted By: JDA



AM PEAK HOUR TURNING MOVEMENT DATA
 All Vehicles

Start Time	TH 65				Crosstown Avenue				TH 65				Crosstown Avenue				Int. Total
	Southbound				Westbound				Northbound				Eastbound				
	Left	Thru	Right	Peds	Left	Thru	Right	Peds	Left	Thru	Right	Peds	Left	Thru	Right	Peds	
6:45	30	435	51	0	48	43	13	0	3	103	11	0	12	31	35	0	815
7:00	39	429	57	0	59	43	16	0	7	83	10	0	14	17	22	0	796
7:15	48	471	56	0	60	33	21	0	2	122	22	0	14	22	12	0	883
7:30	56	417	62	0	56	27	28	0	0	120	24	0	29	23	20	0	862
Total	173	1752	226	0	223	146	78	0	12	428	67	0	69	93	89	0	3356
% App. Total	8.0	81.5	10.5	0.0	10.4	6.8	3.6	0.0	0.6	19.9	3.1	0.0	3.2	4.3	4.1	0.0	
PHF	0.772	0.930	0.911	0.000	0.929	0.849	0.696	0.000	0.429	0.877	0.698	0.000	0.595	0.750	0.636	0.000	0.950
% Trucks	9.5	2.2	1.8	0.0	3.7	0.7	2.6	0.0	20.0	4.9	3.1	0.0	1.5	4.5	4.7	0.0	3.1
	2.7				2.5				5.0				3.7				

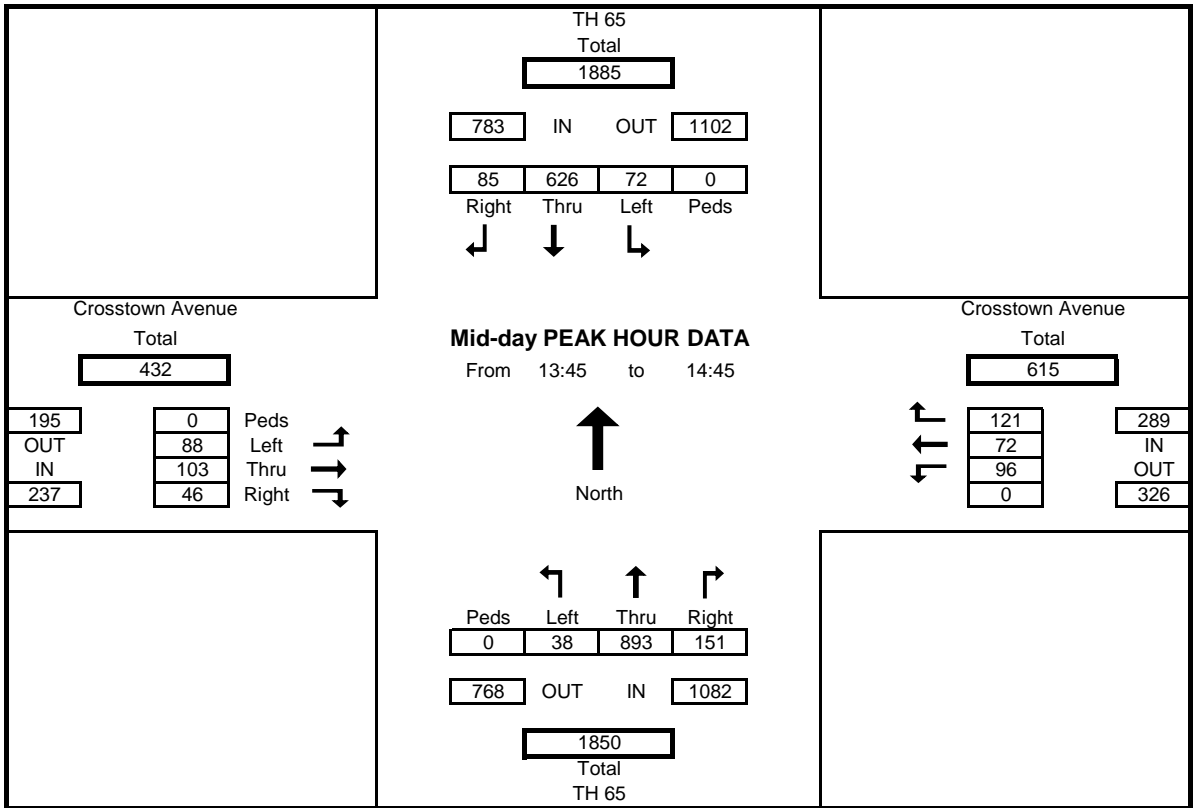


Location: TH 65 at Crosstown Blvd (CSAH 18)
 Count Date: 4/4/2017
 Counted By: JDA



Mid-Day PEAK HOUR TURNING MOVEMENT DATA
 All Vehicles

Start Time	TH 65				Crosstown Avenue				TH 65				Crosstown Avenue				Int. Total
	Southbound				Westbound				Northbound				Eastbound				
	Left	Thru	Right	Peds	Left	Thru	Right	Peds	Left	Thru	Right	Peds	Left	Thru	Right	Peds	
13:45	17	165	19	0	19	20	24	0	16	213	26	0	12	20	6	0	557
14:00	18	134	24	0	22	18	22	0	9	199	27	0	16	26	17	0	532
14:15	19	162	20	0	27	18	47	0	9	221	40	0	30	26	13	0	632
14:30	18	165	22	0	28	16	28	0	4	260	58	0	30	31	10	0	670
Total	72	626	85	0	96	72	121	0	38	893	151	0	88	103	46	0	2391
% App. Total	9.2	79.9	10.9	0.0	12.3	9.2	15.5	0.0	4.9	114.0	19.3	0.0	11.2	13.2	5.9	0.0	
PHF	0.947	0.948	0.885	0.000	0.857	0.900	0.644	0.000	0.594	0.859	0.651	0.000	0.733	0.831	0.676	0.000	0.892
% Trucks	9.1	6.1	10.4	0.0	4.3	1.4	12.0	0.0	8.6	5.7	2.7	0.0	3.5	27.2	7.0	0.0	6.7
	6.8				6.6				5.4				13.4				

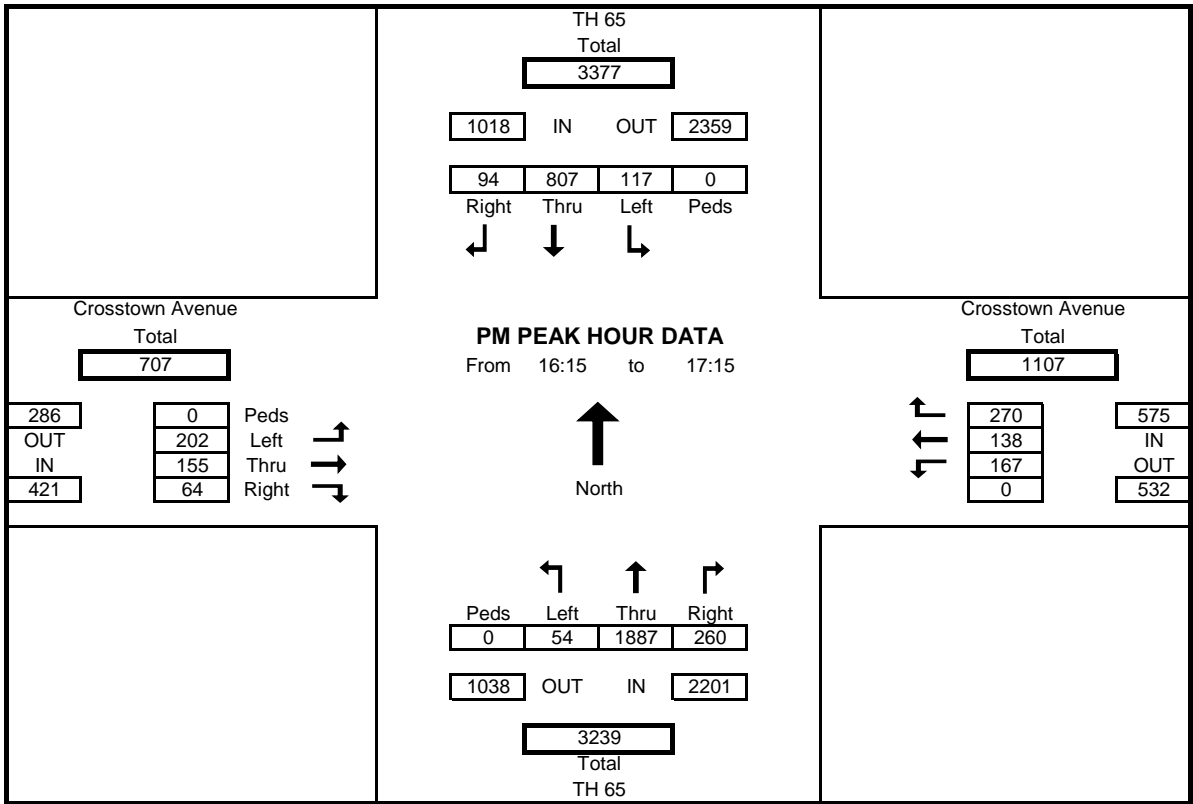


Location: TH 65 at Crosstown Blvd (CSAH 18)
 Count Date: 4/4/2017
 Counted By: JDA



AM PEAK HOUR TURNING MOVEMENT DATA
 All Vehicles

Start Time	TH 65				Crosstown Avenue				TH 65				Crosstown Avenue				Int. Total
	Southbound				Westbound				Northbound				Eastbound				
	Left	Thru	Right	Peds	Left	Thru	Right	Peds	Left	Thru	Right	Peds	Left	Thru	Right	Peds	
16:15	29	205	27	0	31	30	70	0	17	527	58	0	52	30	18	0	1094
16:30	28	182	29	0	61	29	70	0	9	429	56	0	53	50	21	0	1017
16:45	31	216	26	0	34	39	70	0	3	492	69	0	50	27	9	0	1066
17:00	29	204	12	0	41	40	60	0	25	439	77	0	47	48	16	0	1038
Total	117	807	94	0	167	138	270	0	54	1887	260	0	202	155	64	0	4215
% App. Total	11.5	79.3	9.2	0.0	16.4	13.6	26.5	0.0	5.3	185.4	25.5	0.0	19.8	15.2	6.3	0.0	
PHF	0.944	0.934	0.810	0.000	0.684	0.863	0.964	0.000	0.540	0.895	0.844	0.000	0.953	0.775	0.762	0.000	0.963
% Trucks	4.5	2.8	2.2	0.0	3.1	1.5	3.8	0.0	1.9	2.0	1.6	0.0	2.5	3.3	4.9	0.0	2.5
	2.9				3.0				1.9				3.2				



Location: TH 65 at Crosstown Blvd (CSAH 18)
 Count Date: 4/4/2017
 Counted By: JDA



TURNING MOVEMENT COUNT DATA

Cars+

Start Time	TH 65				Crosstown Avenue				TH 65				Crosstown Avenue				Int. Total
	Southbound				Westbound				Northbound				Eastbound				
	Left	Thru	Right	Peds	Left	Thru	Right	Peds	Left	Thru	Right	Peds	Left	Thru	Right	Peds	
6:00	36	404	33	0	23	24	17	0	0	33	11	0	3	5	11	0	600
6:15	30	522	70	0	24	27	13	0	0	63	8	0	8	5	16	0	786
6:30	54	481	54	0	42	36	14	0	1	82	13	0	10	10	18	0	815
6:45	28	425	51	0	43	43	13	0	3	100	11	0	12	28	33	0	790
7:00	35	417	55	0	59	43	16	0	5	78	10	0	14	17	22	0	771
7:15	44	463	55	0	59	33	21	0	2	117	21	0	14	22	11	0	862
7:30	51	410	61	0	54	26	26	0	0	113	23	0	28	22	19	0	833
7:45	32	339	30	0	63	35	19	0	6	124	21	0	14	7	17	0	707
8:00	26	320	40	0	33	21	25	0	8	88	17	0	20	14	15	0	627
8:15	29	312	32	0	30	20	15	0	9	95	17	0	7	16	9	0	591
8:30	52	295	29	0	31	19	17	0	4	83	23	1	19	15	16	0	603
8:45	33	220	25	0	45	18	19	0	9	100	24	0	11	17	16	0	537
9:00	18	190	34	0	39	20	14	0	6	80	28	0	11	12	17	0	469
9:15	32	213	31	0	25	19	15	0	11	101	26	0	11	12	9	0	505
9:30	22	175	20	0	28	28	17	0	12	96	22	0	16	19	17	0	472
9:45	16	219	25	0	34	20	13	0	7	107	22	0	22	15	19	0	519
10:00	19	158	21	0	22	16	7	0	6	114	25	0	14	16	10	0	428
10:15	12	171	9	0	31	15	14	0	8	125	28	0	10	10	14	0	447
10:30	16	145	11	0	34	16	17	0	5	100	23	0	10	19	8	0	404
10:45	15	176	14	0	27	11	11	0	5	116	21	0	7	11	8	0	422
11:00	10	127	8	0	28	14	16	0	10	109	21	0	14	10	5	0	372
11:15	23	162	12	0	29	19	15	0	8	128	34	0	11	14	6	0	461
11:30	17	156	15	0	24	22	23	0	10	130	34	0	14	18	12	0	475
11:45	24	107	14	0	26	19	24	0	12	128	37	0	17	18	12	0	438
12:00	26	143	11	0	35	16	9	0	5	144	38	0	16	27	12	0	482
12:15	27	152	21	0	21	21	29	0	5	126	36	0	14	20	9	0	481
12:30	20	141	13	0	36	26	28	0	9	155	37	0	12	18	11	0	506
12:45	14	113	12	0	34	19	21	0	10	138	35	0	11	13	10	0	430
13:00	12	139	19	0	38	16	24	0	10	130	42	0	15	19	5	0	469
13:15	13	164	17	0	23	17	22	0	10	166	28	0	26	19	18	0	523
13:30	26	147	23	0	24	17	26	0	5	172	24	0	20	14	10	0	508
13:45	17	155	18	0	19	20	24	0	15	204	26	0	11	16	6	0	531
14:00	17	127	22	0	22	18	19	0	8	186	26	0	16	23	16	0	500
14:15	18	152	20	0	25	18	40	0	8	210	39	0	29	19	11	0	589
14:30	14	156	17	0	26	15	25	0	4	245	56	0	29	23	10	0	620
14:45	24	150	18	0	27	18	49	0	10	276	49	0	31	14	9	0	675
15:00	18	112	16	0	28	18	28	0	4	298	33	0	36	37	11	0	639
15:15	21	168	18	0	17	24	40	0	12	407	57	0	36	29	14	0	843
15:30	24	167	17	0	37	34	51	0	24	319	45	0	42	32	22	0	814
15:45	24	209	31	0	28	21	51	0	1	452	65	0	33	44	17	0	976
16:00	36	157	28	0	44	43	61	0	11	346	54	0	53	34	12	0	879
16:15	27	197	27	0	29	30	70	0	16	516	56	0	52	28	17	0	1065
16:30	27	179	28	0	61	28	67	0	9	422	56	0	53	48	20	0	998
16:45	31	209	25	0	31	38	65	0	3	479	67	0	47	27	9	0	1031
17:00	27	200	12	0	41	40	58	0	25	433	77	0	45	47	15	0	1020
17:15	22	189	19	0	48	34	70	0	7	513	59	0	50	39	8	0	1058
17:30	22	162	21	0	27	33	69	0	19	421	49	0	55	31	12	0	921
17:45	21	153	24	0	18	22	52	0	4	369	61	0	32	30	11	0	797
18:00	24	125	31	0	52	43	52	0	12	295	43	0	38	37	8	0	760
18:15	24	169	27	0	30	22	53	0	6	313	46	0	28	18	12	0	748
18:30	21	108	18	0	26	15	33	0	13	233	31	0	27	19	10	0	554
18:45	33	82	12	0	20	17	28	0	14	212	47	0	27	23	3	0	518
Total	1304	10932	1314	0	1720	1247	1565	0	426	10590	1802	1	1201	1100	668	0	33869
Cars+	1304	10932	1314	0	1720	1247	1565	0	426	10590	1802	1	1201	1100	668	0	33869
Trucks	59	423	56	0	56	28	65	0	32	451	43	0	51	136	50	0	1450
% Trucks	4.5	3.9	4.3	0.0	3.3	2.2	4.2	0.0	7.5	4.3	2.4	0.0	4.2	12.4	7.5	0.0	4.3
	4.0				3.3				4.1				8.0				

Location: TH 65 at Crosstown Blvd (CSAH 18)
 Count Date: 4/4/2017
 Counted By: JDA



TURNING MOVEMENT COUNT DATA
Heavy Vehicles

Start Time	TH 65				Crosstown Avenue				TH 65				Crosstown Avenue				Int. Total
	Southbound				Westbound				Northbound				Eastbound				
	Left	Thru	Right	Bikes	Left	Thru	Right	Bikes	Left	Thru	Right	Bikes	Left	Thru	Right	Bikes	
6:00	0	19	0	0	0	0	0	0	0	3	0	0	2	0	0	0	24
6:15	1	13	0	0	0	0	0	0	0	5	1	0	1	3	2	0	26
6:30	2	11	0	0	2	0	0	0	0	3	0	0	1	0	1	0	20
6:45	2	10	0	0	5	0	0	0	0	3	0	0	0	3	2	0	25
7:00	4	12	2	0	0	0	0	0	2	5	0	0	0	0	0	0	25
7:15	4	8	1	0	1	0	0	0	0	5	1	0	0	0	1	0	21
7:30	5	7	1	0	2	1	2	0	0	7	1	0	1	1	1	0	29
7:45	1	16	1	0	1	1	0	0	0	7	2	0	0	1	1	0	31
8:00	5	8	4	0	0	0	0	0	2	8	2	0	0	3	2	0	34
8:15	1	8	2	0	1	0	0	0	0	9	2	0	3	1	0	0	27
8:30	0	9	1	0	0	1	0	0	2	4	4	0	3	2	3	0	29
8:45	1	9	0	0	1	0	4	0	0	12	1	0	1	0	4	0	33
9:00	1	6	2	0	3	0	2	0	2	9	2	0	4	0	1	0	32
9:15	2	10	1	0	0	0	1	0	0	7	2	0	0	1	0	0	24
9:30	1	11	0	0	0	1	3	0	0	8	1	0	1	1	2	0	29
9:45	1	11	0	0	0	0	1	0	0	12	1	0	1	0	3	0	30
10:00	0	10	0	0	0	0	1	0	0	8	1	0	0	0	0	0	20
10:15	1	10	1	0	1	0	1	0	0	9	0	0	0	4	0	0	27
10:30	0	8	2	0	0	2	0	0	3	10	0	0	0	6	1	0	32
10:45	1	10	1	0	1	0	0	0	0	12	1	0	2	5	0	0	33
11:00	0	10	0	0	4	0	1	0	1	9	1	0	2	3	0	0	31
11:15	1	6	0	0	2	0	1	0	0	10	2	0	0	3	2	0	27
11:30	0	14	1	0	0	0	1	0	0	14	1	0	0	0	4	0	35
11:45	1	8	2	0	3	1	1	0	0	8	0	0	1	8	0	0	33
12:00	0	9	2	0	3	0	2	0	0	10	2	0	0	5	2	0	35
12:15	1	10	0	0	3	1	1	0	1	10	0	0	3	5	1	0	36
12:30	0	6	1	0	1	1	1	0	0	9	0	0	2	3	0	0	24
12:45	1	8	0	0	0	1	3	0	1	8	1	0	0	4	2	0	29
13:00	2	9	4	0	0	1	0	0	1	14	1	0	1	2	1	0	36
13:15	1	8	2	0	1	0	1	0	4	11	1	0	1	5	4	0	39
13:30	2	8	1	0	1	0	2	0	4	5	1	0	2	8	1	0	35
13:45	0	10	1	0	0	0	0	0	1	9	0	0	1	4	0	0	26
14:00	1	7	2	0	0	0	3	0	1	13	1	0	0	3	1	0	32
14:15	1	10	0	0	2	0	7	0	1	11	1	0	1	7	2	0	43
14:30	4	9	5	0	2	1	3	0	0	15	2	0	1	8	0	0	50
14:45	0	5	1	0	2	1	0	0	0	15	0	0	0	3	1	0	28
15:00	2	5	4	0	1	2	0	0	0	14	0	0	4	6	0	0	38
15:15	0	9	0	0	3	2	0	0	0	15	0	0	1	5	1	0	36
15:30	0	4	1	0	0	2	2	0	1	10	0	0	2	5	0	0	27
15:45	1	7	2	0	0	2	0	0	0	11	0	0	0	6	0	0	29
16:00	1	7	3	0	1	2	2	0	1	11	0	0	1	6	0	0	35
16:15	2	8	0	0	2	0	0	0	1	11	2	0	0	2	1	0	29
16:30	1	3	1	0	0	1	3	0	0	7	0	0	0	2	1	0	19
16:45	0	7	1	0	3	1	5	0	0	13	2	0	3	0	0	0	35
17:00	2	4	0	0	0	0	2	0	0	6	0	0	2	1	1	0	18
17:15	0	9	0	0	0	1	2	0	0	10	0	0	1	0	0	0	23
17:30	0	4	0	0	1	0	1	0	2	4	1	0	0	0	1	0	14
17:45	0	4	1	0	0	1	2	0	1	5	0	0	1	0	0	0	15
18:00	0	3	2	0	0	0	4	0	0	6	1	0	0	0	0	0	16
18:15	2	1	0	0	0	0	0	0	0	3	0	0	0	0	0	0	6
18:30	0	3	0	0	3	1	0	0	0	5	1	0	0	1	0	0	14
18:45	0	2	0	0	0	0	0	0	0	3	0	0	1	0	0	0	6
Total	59	423	56	0	56	28	65	0	32	451	43	0	51	136	50	0	1450
Cars+	1304	10932	1314	0	1720	1247	1565	0	426	10590	1802	1	1201	1100	668	0	33869
Trucks	59	423	56	0	56	28	65	0	32	451	43	0	51	136	50	0	1450
% Trucks	4.5	3.9	4.3	0.0	3.3	2.2	4.2	0.0	7.5	4.3	2.4	0.0	4.2	12.4	7.5	0.0	4.3
	4.0				3.3				4.1				8.0				