



MINNESOTA DEPT OF TRANSPORTATION

TRAFFIC DATA COLLECTION - METRO

TH-95 at Grand Ave \ CSAH-14
 Ref.Pt.: 055.543
 video MR
 TURN MOVEMENT COUNT

File Name : TH-95 at Grand Ave CSAH-14 2013
 Site Code :
 Start Date : 11/6/2013
 Page No : 1

Groups Printed- Cars +

Start Time	Grand Ave. Southbound				TH-95 Westbound				Grand Ave / CSAH-14 Northbound				TH-95 Eastbound				Int. Total
	Right	Thru	Left	Peds	Right	Thru	Left	Peds	Right	Thru	Left	Peds	Right	Thru	Left	Peds	
06:00	1	3	0	0	0	36	4	0	2	0	28	0	18	16	1	0	109
06:15	2	4	0	0	0	33	2	0	4	0	42	0	38	18	2	0	145
06:30	0	1	0	0	0	39	4	0	2	1	61	0	43	18	1	0	170
06:45	0	7	0	0	0	42	16	0	1	2	44	0	96	12	0	0	220
Total	3	15	0	0	0	150	26	0	9	3	175	0	195	64	4	0	644
07:00	0	7	1	0	0	39	26	0	3	3	53	0	88	19	0	0	239
07:15	0	34	1	0	1	42	26	0	7	9	98	0	112	15	0	0	345
07:30	0	14	1	0	0	43	17	0	4	15	98	0	73	30	0	0	295
07:45	1	3	0	0	0	53	6	0	8	7	91	0	34	28	2	0	233
Total	1	58	3	0	1	177	75	0	22	34	340	0	307	92	2	0	1112
08:00	1	1	1	0	1	28	6	0	3	1	53	0	24	18	0	0	137
08:15	0	1	2	0	1	36	2	0	5	3	35	0	21	18	2	0	126
08:30	1	1	0	0	1	28	1	0	0	0	44	0	29	28	5	0	138
08:45	0	3	4	0	1	30	4	0	0	2	54	0	32	25	2	0	157
Total	2	6	7	0	4	122	13	0	8	6	186	0	106	89	9	0	558
***** BREAK *****																	
15:00	1	7	6	0	0	25	4	0	5	3	44	0	44	30	0	0	169
15:15	0	7	7	0	1	36	2	0	1	2	40	0	80	39	1	0	216
15:30	2	10	5	3	2	28	12	4	16	16	96	0	69	42	0	0	305
15:45	3	9	1	14	1	47	5	21	17	27	102	0	54	51	2	0	354
Total	6	33	19	17	4	136	23	25	39	48	282	0	247	162	3	0	1044
16:00	0	6	4	0	1	34	2	0	16	6	97	0	63	48	3	0	280
16:15	2	5	1	0	0	35	7	2	7	9	94	0	49	51	2	0	264
16:30	2	4	6	2	1	39	5	0	7	16	67	0	63	56	0	0	268
16:45	0	7	4	1	2	30	5	1	7	7	80	0	74	74	3	0	295
Total	4	22	15	3	4	138	19	3	37	38	338	0	249	229	8	0	1107
17:00	0	3	10	1	1	41	10	0	10	8	78	1	81	76	1	0	321
17:15	1	5	2	1	1	39	2	0	4	3	81	0	78	37	0	0	254
17:30	1	4	4	0	0	32	8	1	8	5	65	0	66	47	0	0	241
17:45	0	3	4	0	0	40	5	0	6	2	50	0	54	41	1	0	206
Total	2	15	20	2	2	152	25	1	28	18	274	1	279	201	2	0	1022
Grand Total	18	149	64	22	15	875	181	29	143	147	1595	1	1383	837	28	0	5487
Apprch %	7.1	58.9	25.3	8.7	1.4	79.5	16.5	2.6	7.6	7.8	84.6	0.1	61.5	37.2	1.2	0	
Total %	0.3	2.7	1.2	0.4	0.3	15.9	3.3	0.5	2.6	2.7	29.1	0	25.2	15.3	0.5	0	



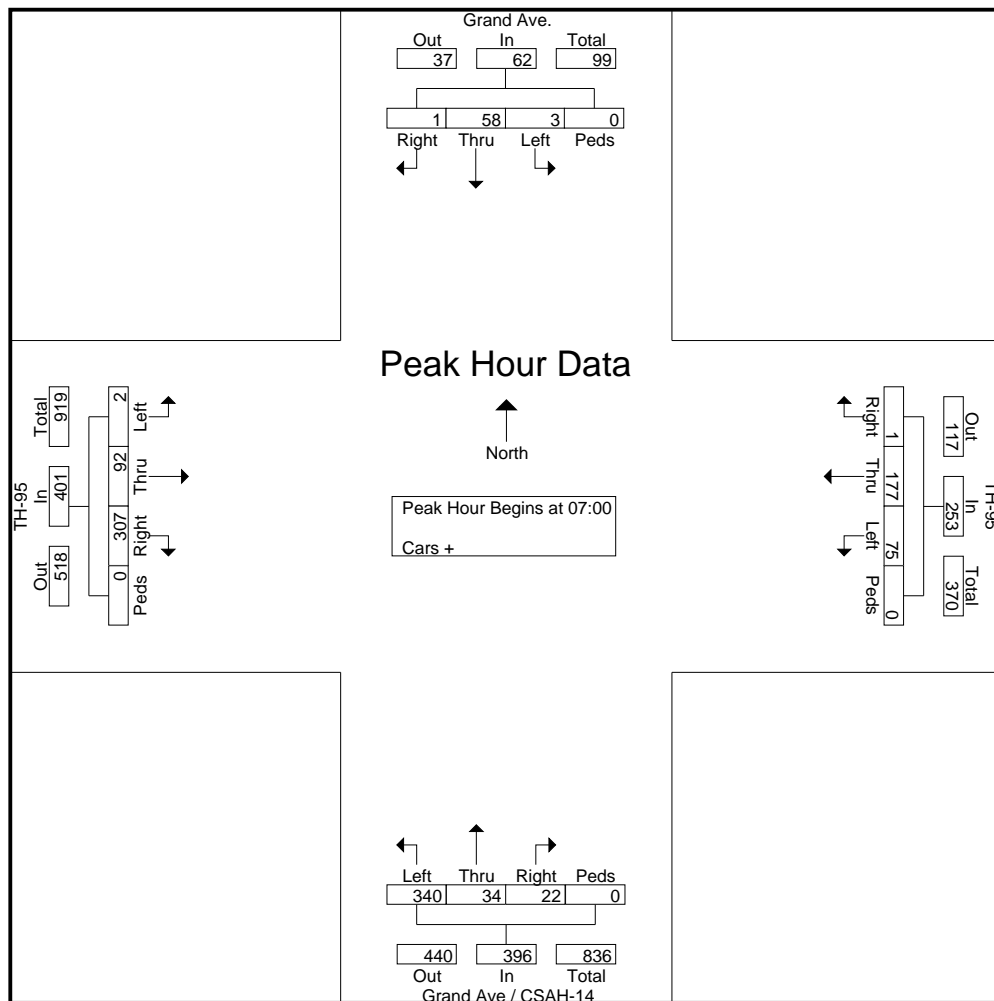
MINNESOTA DEPT OF TRANSPORTATION

TRAFFIC DATA COLLECTION - METRO

TH-95 at Grand Ave \ CSAH-14
 Ref.Pt.: 055.543
 video MR
 TURN MOVEMENT COUNT

File Name : TH-95 at Grand Ave CSAH-14 2013
 Site Code :
 Start Date : 11/6/2013
 Page No : 2

Start Time	Grand Ave. Southbound					TH-95 Westbound					Grand Ave / CSAH-14 Northbound					TH-95 Eastbound					Int. Total
	Right	Thru	Left	Peds	App. Total	Right	Thru	Left	Peds	App. Total	Right	Thru	Left	Peds	App. Total	Right	Thru	Left	Peds	App. Total	
Peak Hour Analysis From 06:00 to 08:45 - Peak 1 of 1																					
Peak Hour for Entire Intersection Begins at 07:00																					
07:00	0	7	1	0	8	0	39	26	0	65	3	3	53	0	59	88	19	0	0	107	239
07:15	0	34	1	0	35	1	42	26	0	69	7	9	98	0	114	112	15	0	0	127	345
07:30	0	14	1	0	15	0	43	17	0	60	4	15	98	0	117	73	30	0	0	103	295
07:45	1	3	0	0	4	0	53	6	0	59	8	7	91	0	106	34	28	2	0	64	233
Total Volume	1	58	3	0	62	1	177	75	0	253	22	34	340	0	396	307	92	2	0	401	1112
% App. Total	1.6	93.5	4.8	0		0.4	70	29.6	0		5.6	8.6	85.9	0		76.6	22.9	0.5	0		
PHF	.250	.426	.750	.000	.443	.250	.835	.721	.000	.917	.688	.567	.867	.000	.846	.685	.767	.250	.000	.789	.806





MINNESOTA DEPT OF TRANSPORTATION

TRAFFIC DATA COLLECTION - METRO

TH-95 at Grand Ave \ CSAH-14
 Ref.Pt.: 055.543
 video MR
 TURN MOVEMENT COUNT

File Name : TH-95 at Grand Ave CSAH-14 2013
 Site Code :
 Start Date : 11/6/2013
 Page No : 3

Start Time	Grand Ave. Southbound					TH-95 Westbound					Grand Ave / CSAH-14 Northbound					TH-95 Eastbound					Int. Total
	Rig ht	Thr u	Left	Ped s	App. Total	Rig ht	Thr u	Left	Ped s	App. Total	Right	Thr u	Left	Peds	App. Total	Right	Thr u	Left	Peds	App. Total	
15:30	2	10	5	3	20	2	28	12	4	46	16	16	96	0	128	69	42	0	0	111	305
15:45	3	9	1	14	27	1	47	5	21	74	17	27	102	0	146	54	51	2	0	107	354
16:00	0	6	4	0	10	1	34	2	0	37	16	6	97	0	119	63	48	3	0	114	280
16:15	2	5	1	0	8	0	35	7	2	44	7	9	94	0	110	49	51	2	0	102	264
Total Volume	7	30	11	17	65	4	144	26	27	201	56	58	389	0	503	235	192	7	0	434	1203
% App. Total	10.8	46.2	16.9	26.2		2	71.6	12.9	13.4		11.1	11.5	77.3	0		54.1	44.2	1.6	0		
PHF	.583	.750	.550	.304	.602	.500	.766	.542	.321	.679	.824	.537	.953	.000	.861	.851	.941	.583	.000	.952	.850

Peak Hour Analysis From 15:00 to 17:45 - Peak 1 of 1
 Peak Hour for Entire Intersection Begins at 15:30

