

# Alliant Engineering

Minneapolis, MN 55415

--TRAFFIC DATA --

Hanson Blvd at Robinson Rd.  
 Ref.Pt.:  
 Alliant Eng.  
 TURN MOVEMENT COUNT

File Name : 221\_Hanson Blvd & Robinson Rd  
 Site Code : 221  
 Start Date : 3/1/2016  
 Page No : 1

Groups Printed- Vehicles - Trucks

Start Time	Hanson Blvd Southbound				Robinson Rd Westbound				Hanson Blvd Northbound				Robinson Rd Eastbound				Int. Total
	Left	Thru	Rght	Other	Left	Thru	Rght	Other	Left	Thru	Rght	Other	Left	Thru	Rght	Other	
06:00	15	51	23	0	3	6	31	0	1	39	0	0	57	13	2	0	241
06:15	18	81	23	0	1	8	39	0	2	61	2	0	71	11	2	0	319
06:30	23	74	30	0	1	10	41	0	1	66	0	0	58	8	4	0	316
06:45	29	118	70	0	3	11	41	0	2	81	0	0	95	19	7	0	476
Total	85	324	146	0	8	35	152	0	6	247	2	0	281	51	15	0	1352
07:00	27	130	103	0	3	6	38	0	5	90	3	0	104	23	7	0	539
07:15	49	216	137	0	7	35	31	0	13	72	0	0	127	21	11	0	719
07:30	34	240	143	0	11	38	42	0	14	108	2	0	105	38	12	0	787
07:45	50	170	100	0	8	10	62	0	4	73	2	0	125	64	18	0	686
Total	160	756	483	0	29	89	173	0	36	343	7	0	461	146	48	0	2731
08:00	43	134	83	0	7	20	42	0	4	78	4	0	98	29	9	0	551
08:15	47	111	66	0	6	15	29	0	5	57	6	0	96	21	2	0	461
08:30	53	123	65	0	5	6	46	0	4	56	3	0	92	24	4	0	481
08:45	42	134	91	0	8	17	46	0	16	88	4	0	86	22	9	0	563
Total	185	502	305	0	26	58	163	0	29	279	17	0	372	96	24	0	2056
09:00	55	106	65	0	6	22	30	0	7	90	4	0	96	19	4	0	504
09:15	50	137	92	0	6	24	64	0	7	47	3	0	85	18	3	0	536
*** BREAK ***																	
Total	105	243	157	0	12	46	94	0	14	137	7	0	181	37	7	0	1040
*** BREAK ***																	
10:30	29	68	62	0	6	17	40	0	9	51	5	0	81	24	12	0	404
10:45	45	112	69	0	13	17	48	0	5	63	3	0	91	37	14	0	517
Total	74	180	131	0	19	34	88	0	14	114	8	0	172	61	26	0	921
11:00	42	79	59	0	12	17	59	0	9	62	0	0	89	42	3	0	473
11:15	49	68	56	0	10	21	50	0	10	65	1	0	105	35	8	0	478
11:30	46	88	52	0	9	29	56	0	9	63	3	0	95	35	10	0	495
11:45	39	85	46	0	6	29	49	0	11	67	2	0	86	40	6	0	466
Total	176	320	213	0	37	96	214	0	39	257	6	0	375	152	27	0	1912
12:00	45	74	45	0	13	23	58	0	8	65	1	0	105	24	8	0	469
12:15	52	76	45	0	10	19	52	0	10	75	8	0	100	29	1	0	477
12:30	56	85	64	0	13	42	50	0	7	65	5	0	93	47	4	0	531
12:45	49	109	62	0	5	26	53	0	5	70	3	0	80	30	9	0	501
Total	202	344	216	0	41	110	213	0	30	275	17	0	378	130	22	0	1978
13:00	56	98	38	0	12	29	36	0	7	69	1	0	84	42	20	0	492
13:15	57	94	38	0	14	22	52	0	12	64	4	0	120	40	22	0	539
*** BREAK ***																	
Total	113	192	76	0	26	51	88	0	19	133	5	0	204	82	42	0	1031
*** BREAK ***																	
14:30	52	77	48	0	13	16	50	0	7	135	9	0	168	60	6	0	641
14:45	70	115	66	0	13	26	59	0	12	102	5	0	105	53	7	0	633
Total	122	192	114	0	26	42	109	0	19	237	14	0	273	113	13	0	1274
15:00	57	143	64	0	20	35	91	0	11	83	3	0	97	44	6	0	654
15:15	70	129	61	0	9	30	62	0	16	119	5	0	126	58	9	0	694
15:30	57	136	93	0	15	34	73	0	16	143	6	0	116	48	16	0	753
15:45	61	133	82	0	10	40	77	0	18	132	1	0	151	47	6	0	758
Total	245	541	300	0	54	139	303	0	61	477	15	0	490	197	37	0	2859
16:00	82	162	69	0	13	34	74	0	10	139	4	0	115	53	9	0	764
16:15	51	152	145	0	15	52	82	0	16	116	1	0	116	52	15	0	813
16:30	77	153	121	0	15	29	76	0	15	126	6	0	136	58	23	0	835

# Alliant Engineering

Minneapolis, MN 55415

--TRAFFIC DATA --

Hanson Blvd at Robinson Rd.  
 Ref.Pt.:  
 Alliant Eng.  
 TURN MOVEMENT COUNT

File Name : 221\_Hanson Blvd & Robinson Rd  
 Site Code : 221  
 Start Date : 3/1/2016  
 Page No : 2

Groups Printed- Vehicles - Trucks

Start Time	Hanson Blvd Southbound				Robinson Rd Westbound				Hanson Blvd Northbound				Robinson Rd Eastbound				Int. Total
	Left	Thru	Rght	Other	Left	Thru	Rght	Other	Left	Thru	Rght	Other	Left	Thru	Rght	Other	
16:45	75	127	104	0	20	36	73	0	14	119	5	0	154	77	2	0	806
Total	285	594	439	0	63	151	305	0	55	500	16	0	521	240	49	0	3218
17:00	95	201	107	0	14	41	77	0	13	136	2	0	111	47	8	0	852
17:15	44	202	86	0	10	27	59	0	8	102	4	0	166	44	5	0	757
17:30	50	161	89	0	11	32	60	0	10	108	6	0	130	44	6	0	707
17:45	51	162	82	0	9	36	53	0	19	107	3	0	124	69	5	0	720
Total	240	726	364	0	44	136	249	0	50	453	15	0	531	204	24	0	3036
Grand Total	1992	4914	2944	0	385	987	2151	0	372	3452	129	0	4239	1509	334	0	23408
Apprch %	20.2	49.9	29.9	0	10.9	28	61.1	0	9.4	87.3	3.3	0	69.7	24.8	5.5	0	
Total %	8.5	21	12.6	0	1.6	4.2	9.2	0	1.6	14.7	0.6	0	18.1	6.4	1.4	0	
Vehicles	1969	4834	2902	0	380	947	2083	0	354	3341	124	0	4131	1472	319	0	22856
% Vehicles	98.8	98.4	98.6	0	98.7	95.9	96.8	0	95.2	96.8	96.1	0	97.5	97.5	95.5	0	97.6
Trucks	23	80	42	0	5	40	68	0	18	111	5	0	108	37	15	0	552
% Trucks	1.2	1.6	1.4	0	1.3	4.1	3.2	0	4.8	3.2	3.9	0	2.5	2.5	4.5	0	2.4

# Alliant Engineering

Minneapolis, MN 55415

--TRAFFIC DATA --

Hanson Blvd at Robinson Rd.

Ref.Pt.:

Alliant Eng.

TURN MOVEMENT COUNT

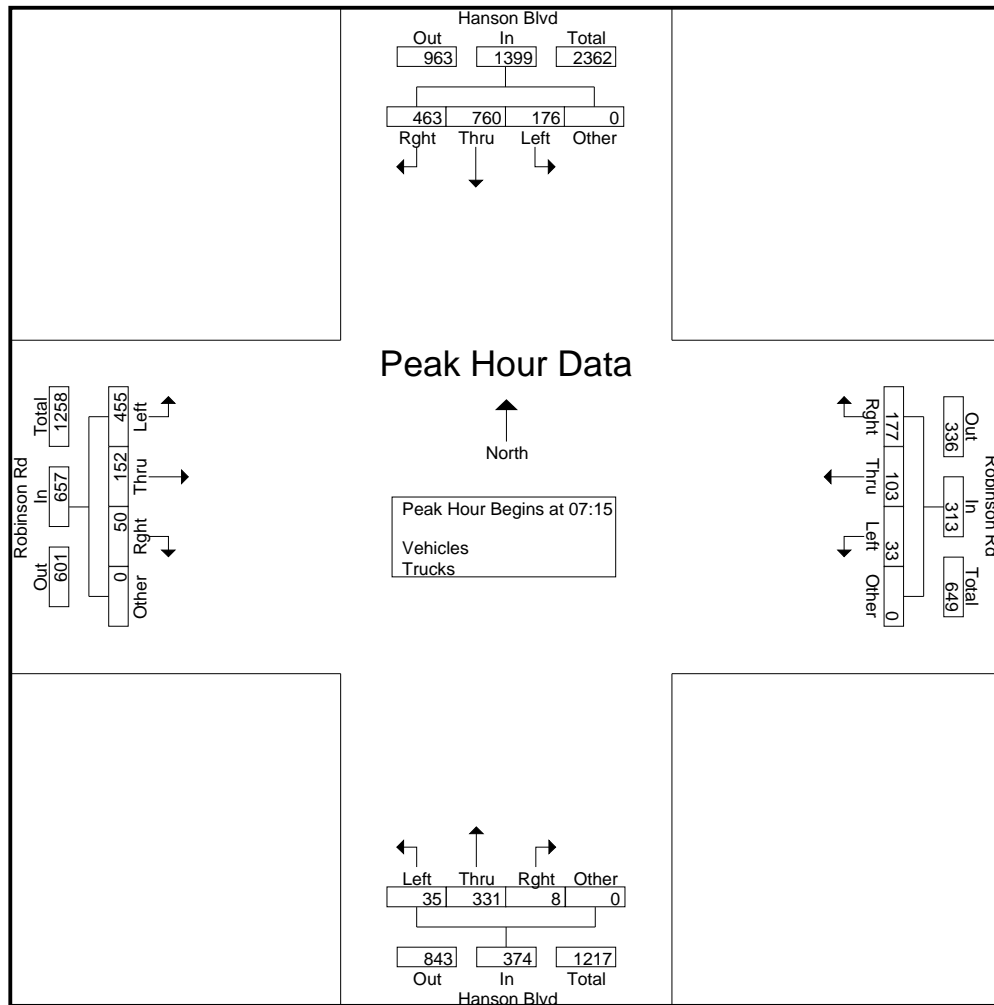
File Name : 221\_Hanson Blvd & Robinson Rd

Site Code : 221

Start Date : 3/1/2016

Page No : 3

Start Time	Hanson Blvd Southbound					Robinson Rd Westbound					Hanson Blvd Northbound					Robinson Rd Eastbound					Int. Total
	Left	Thru	Rght	Other	App. Total	Left	Thru	Rght	Other	App. Total	Left	Thru	Rght	Other	App. Total	Left	Thru	Rght	Other	App. Total	
Peak Hour Analysis From 06:00 to 11:45 - Peak 1 of 1																					
Peak Hour for Entire Intersection Begins at 07:15																					
07:15	49	216	137	0	402	7	35	31	0	73	13	72	0	0	85	127	21	11	0	159	719
07:30	34	240	143	0	417	11	38	42	0	91	14	108	2	0	124	105	38	12	0	155	787
07:45	50	170	100	0	320	8	10	62	0	80	4	73	2	0	79	125	64	18	0	207	686
08:00	43	134	83	0	260	7	20	42	0	69	4	78	4	0	86	98	29	9	0	136	551
Total Volume	176	760	463	0	1399	33	103	177	0	313	35	331	8	0	374	455	152	50	0	657	2743
% App. Total	12.6	54.3	33.1	0		10.5	32.9	56.5	0		9.4	88.5	2.1	0		69.3	23.1	7.6	0		
PHF	.880	.792	.809	.000	.839	.750	.678	.714	.000	.860	.625	.766	.500	.000	.754	.896	.594	.694	.000	.793	.871



# Alliant Engineering

Minneapolis, MN 55415

--TRAFFIC DATA --

Hanson Blvd at Robinson Rd.  
 Ref.Pt.:  
 Alliant Eng.  
 TURN MOVEMENT COUNT

File Name : 221\_Hanson Blvd & Robinson Rd  
 Site Code : 221  
 Start Date : 3/1/2016  
 Page No : 4

Start Time	Hanson Blvd Southbound					Robinson Rd Westbound					Hanson Blvd Northbound					Robinson Rd Eastbound					Int. Total
	Left	Thru	Rght	Other	App. Total	Left	Thru	Rght	Other	App. Total	Left	Thru	Rght	Other	App. Total	Left	Thru	Rght	Other	App. Total	
Peak Hour Analysis From 12:00 to 17:45 - Peak 1 of 1																					
Peak Hour for Entire Intersection Begins at 16:15																					
16:15	51	152	145	0	348	15	52	82	0	149	16	116	1	0	133	116	52	15	0	183	813
16:30	77	153	121	0	351	15	29	76	0	120	15	126	6	0	147	136	58	23	0	217	835
16:45	75	127	104	0	306	20	36	73	0	129	14	119	5	0	138	154	77	2	0	233	806
17:00	95	201	107	0	403	14	41	77	0	132	13	136	2	0	151	111	47	8	0	166	852
Total Volume	298	633	477	0	1408	64	158	308	0	530	58	497	14	0	569	517	234	48	0	799	3306
% App. Total	21.2	45	33.9	0		12.1	29.8	58.1	0		10.2	87.3	2.5	0		64.7	29.3	6	0		
PHF	.784	.787	.822	.000	.873	.800	.760	.939	.000	.889	.906	.914	.583	.000	.942	.839	.760	.522	.000	.857	.970

