

Alliant Engineering, Inc.

733 Marquette Ave #700, Minneapolis, MN 55402

Prairie Center Dr & Preserve Blvd
 Ref Pt:
 data by: Alliant Inc
 TURN MOVEMENT COUNT

File Name : 19_EP_Prairie Center Dr at Preserve Blvd
 Site Code :
 Start Date : 12/9/2020
 Page No : 1

Groups Printed- Cars - Trucks

Start Time	Preserve Blvd Southbound					Prairie Center Dr Westbound					Preserve Blvd Northbound					Prairie Center Dr Eastbound					Int. Total
	Right	Thru	Left	Peds	App. Total	Right	Thru	Left	Peds	App. Total	Right	Thru	Left	Peds	App. Total	Right	Thru	Left	Peds	App. Total	
06:00 AM	1	1	0	0	2	1	18	2	0	21	13	2	6	0	21	2	4	2	0	8	52
06:15 AM	3	0	0	0	3	3	17	1	0	21	29	2	12	0	43	2	12	0	0	14	81
06:30 AM	0	1	1	0	2	1	26	3	0	30	34	4	9	0	47	1	9	1	0	11	90
06:45 AM	0	2	1	0	3	4	24	7	0	35	31	3	4	1	39	3	14	5	0	22	99
Total	4	4	2	0	10	9	85	13	0	107	107	11	31	1	150	8	39	8	0	55	322
07:00 AM	0	0	0	0	0	2	14	8	0	24	27	6	15	0	48	2	17	3	0	22	94
07:15 AM	0	1	2	0	3	3	25	11	0	39	45	9	15	0	69	9	23	8	0	40	151
07:30 AM	2	0	2	0	4	3	17	9	0	29	45	10	14	0	69	7	28	6	0	41	143
07:45 AM	2	4	2	0	8	3	27	17	0	47	61	5	22	1	89	6	23	11	0	40	184
Total	4	5	6	0	15	11	83	45	0	139	178	30	66	1	275	24	91	28	0	143	572
08:00 AM	0	4	4	0	8	5	34	18	0	57	44	10	15	0	69	6	13	5	0	24	158
08:15 AM	1	3	1	0	5	5	24	23	0	52	53	5	19	0	77	14	30	3	0	47	181
08:30 AM	1	5	1	0	7	6	24	16	0	46	42	8	12	0	62	8	25	4	2	39	154
08:45 AM	4	1	2	0	7	6	33	24	0	63	39	16	19	0	74	8	18	4	0	30	174
Total	6	13	8	0	27	22	115	81	0	218	178	39	65	0	282	36	86	16	2	140	667
09:00 AM	3	1	2	0	6	5	38	19	0	62	34	8	19	0	61	8	27	6	0	41	170
09:15 AM	3	4	0	0	7	10	32	19	0	61	38	13	13	0	64	11	25	10	1	47	179
*** BREAK ***																					
Total	6	5	2	0	13	15	70	38	0	123	72	21	32	0	125	19	52	16	1	88	349
*** BREAK ***																					
10:30 AM	8	9	14	0	31	21	38	23	0	82	34	15	26	0	75	13	32	14	0	59	247
10:45 AM	10	11	12	0	33	16	49	28	0	93	39	22	22	0	83	14	42	13	0	69	278
Total	18	20	26	0	64	37	87	51	0	175	73	37	48	0	158	27	74	27	0	128	525
11:00 AM	9	15	5	0	29	19	56	22	0	97	36	17	18	0	71	16	34	9	0	59	256
11:15 AM	12	17	12	0	41	24	54	23	0	101	32	16	26	1	75	19	38	24	1	82	299
11:30 AM	30	11	19	0	60	18	53	37	0	108	36	25	18	0	79	19	42	21	1	83	330
11:45 AM	27	12	18	0	57	22	73	25	0	120	35	22	25	0	82	29	61	15	2	107	366
Total	78	55	54	0	187	83	236	107	0	426	139	80	87	1	307	83	175	69	4	331	1251
12:00 PM	23	19	24	0	66	31	77	36	0	144	25	19	32	0	76	30	62	21	1	114	400
12:15 PM	27	19	18	0	64	16	73	36	0	125	34	30	36	0	100	33	76	16	0	125	414
12:30 PM	20	17	23	0	60	29	82	35	0	146	43	18	26	0	87	20	72	19	0	111	404
12:45 PM	22	19	22	0	63	17	62	36	0	115	48	27	27	0	102	25	65	21	1	112	392
Total	92	74	87	0	253	93	294	143	0	530	150	94	121	0	365	108	275	77	2	462	1610
01:00 PM	15	18	18	0	51	24	72	32	0	128	38	33	24	0	95	32	70	17	1	120	394
01:15 PM	16	20	21	0	57	15	56	28	1	100	29	24	23	0	76	23	65	13	0	101	334
*** BREAK ***																					
Total	31	38	39	0	108	39	128	60	1	228	67	57	47	0	171	55	135	30	1	221	728
*** BREAK ***																					
02:30 PM	24	20	10	0	54	20	40	28	0	88	31	26	38	0	95	25	46	17	1	89	326
02:45 PM	16	27	11	0	54	15	61	33	1	110	35	16	29	0	80	30	56	12	1	99	343
Total	40	47	21	0	108	35	101	61	1	198	66	42	67	0	175	55	102	29	2	188	669
03:00 PM	25	29	19	1	74	19	51	55	1	126	34	18	19	0	71	40	69	11	1	121	392
03:15 PM	19	24	11	0	54	17	59	56	0	132	29	21	22	3	75	38	60	17	1	116	377
03:30 PM	28	26	17	0	71	16	55	43	0	114	39	28	22	0	89	26	42	9	1	78	352
03:45 PM	23	20	13	0	56	20	66	54	0	140	37	28	38	0	103	25	36	11	1	73	372
Total	95	99	60	1	255	72	231	208	1	512	139	95	101	3	338	129	207	48	4	388	1493
04:00 PM	22	25	15	0	62	14	79	55	0	148	45	27	25	1	98	31	43	10	1	85	393

Alliant Engineering, Inc.

733 Marquette Ave #700, Minneapolis, MN 55402

Prairie Center Dr & Preserve Blvd
 Ref Pt:
 data by: Alliant Inc
 TURN MOVEMENT COUNT

File Name : 19_EP_Prairie Center Dr at Preserve Blvd
 Site Code :
 Start Date : 12/9/2020
 Page No : 2

Groups Printed- Cars - Trucks

Start Time	Preserve Blvd Southbound					Prairie Center Dr Westbound					Preserve Blvd Northbound					Prairie Center Dr Eastbound					Int. Total
	Right	Thru	Left	Peds	App. Total	Right	Thru	Left	Peds	App. Total	Right	Thru	Left	Peds	App. Total	Right	Thru	Left	Peds	App. Total	
04:15 PM	23	27	11	0	61	19	49	68	0	136	35	27	35	1	98	28	48	11	1	88	383
04:30 PM	29	41	17	0	87	28	54	64	0	146	55	33	30	0	118	42	43	27	2	114	465
04:45 PM	28	25	13	1	67	15	63	68	1	147	33	38	26	0	97	39	47	15	1	102	413
Total	102	118	56	1	277	76	245	255	1	577	168	125	116	2	411	140	181	63	5	389	1654
05:00 PM	31	39	13	0	83	11	61	66	0	138	50	25	30	0	105	34	55	9	1	99	425
05:15 PM	29	33	13	0	75	11	65	62	0	138	35	24	44	0	103	36	50	16	0	102	418
05:30 PM	23	32	20	0	75	14	53	55	0	122	24	30	17	0	71	37	45	8	0	90	358
05:45 PM	28	28	12	0	68	20	41	57	0	118	35	18	26	0	79	37	42	12	0	91	356
Total	111	132	58	0	301	56	220	240	0	516	144	97	117	0	358	144	192	45	1	382	1557
Grand Total	587	610	419	2	1618	548	1895	1302	4	3749	1481	728	898	8	3115	828	1609	456	22	2915	11397
Apprch %	36.3	37.7	25.9	0.1		14.6	50.5	34.7	0.1		47.5	23.4	28.8	0.3		28.4	55.2	15.6	0.8		
Total %	5.2	5.4	3.7	0	14.2	4.8	16.6	11.4	0	32.9	13	6.4	7.9	0.1	27.3	7.3	14.1	4	0.2	25.6	
Cars	580	605	410	2	1597	544	1866	1284	4	3698	1446	722	888	7	3063	814	1575	454	22	2865	11223
% Cars	98.8	99.2	97.9	100	98.7	99.3	98.5	98.6	100	98.6	97.6	99.2	98.9	87.5	98.3	98.3	97.9	99.6	100	98.3	98.5
Trucks	7	5	9	0	21	4	29	18	0	51	35	6	10	1	52	14	34	2	0	50	174
% Trucks	1.2	0.8	2.1	0	1.3	0.7	1.5	1.4	0	1.4	2.4	0.8	1.1	12.5	1.7	1.7	2.1	0.4	0	1.7	1.5

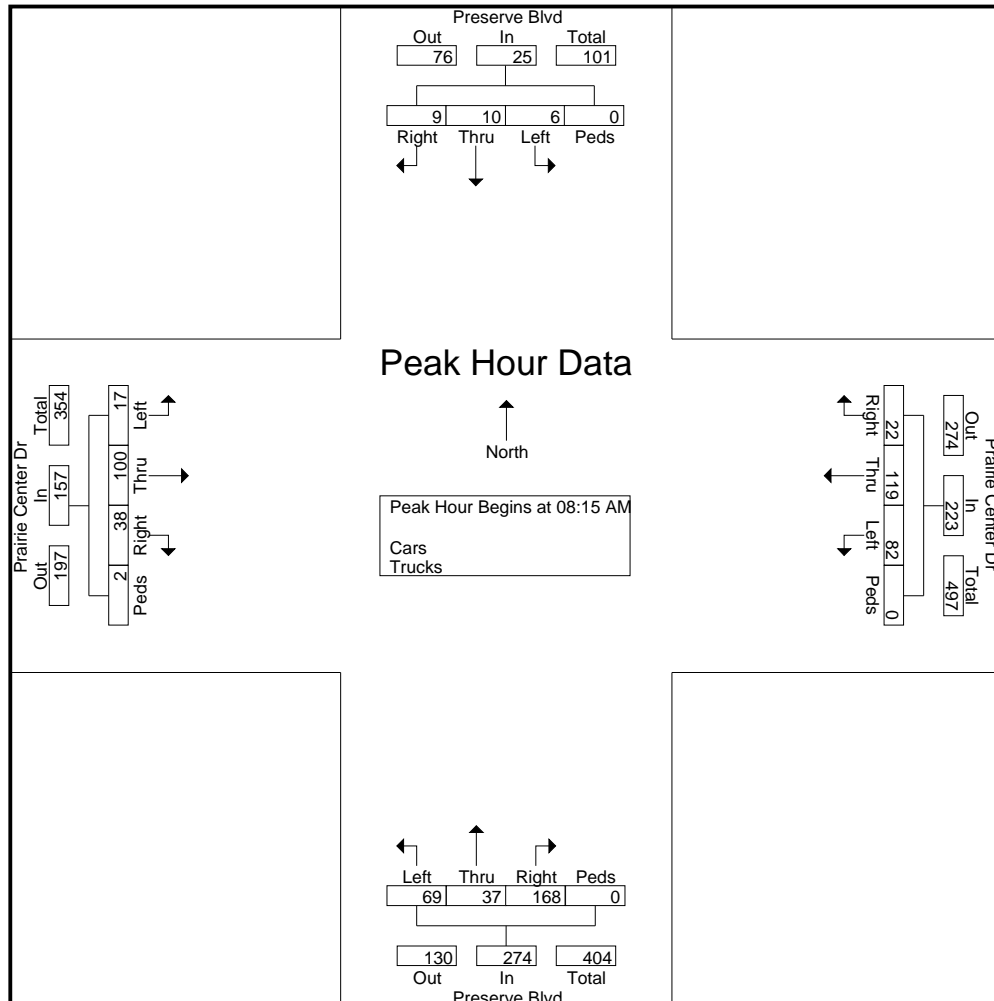
Alliant Engineering, Inc.

733 Marquette Ave #700, Minneapolis, MN 55402

Prairie Center Dr & Preserve Blvd
 Ref Pt:
 data by: Alliant Inc
 TURN MOVEMENT COUNT

File Name : 19_EP_Prairie Center Dr at Preserve Blvd
 Site Code :
 Start Date : 12/9/2020
 Page No : 3

Start Time	Preserve Blvd Southbound					Prairie Center Dr Westbound					Preserve Blvd Northbound					Prairie Center Dr Eastbound					Int. Total
	Right	Thru	Left	Peds	App. Total	Right	Thru	Left	Peds	App. Total	Right	Thru	Left	Peds	App. Total	Right	Thru	Left	Peds	App. Total	
Peak Hour Analysis From 06:00 AM to 09:45 AM - Peak 1 of 1																					
Peak Hour for Entire Intersection Begins at 08:15 AM																					
08:15 AM	1	3	1	0	5	5	24	23	0	52	53	5	19	0	77	14	30	3	0	47	181
08:30 AM	1	5	1	0	7	6	24	16	0	46	42	8	12	0	62	8	25	4	2	39	154
08:45 AM	4	1	2	0	7	6	33	24	0	63	39	16	19	0	74	8	18	4	0	30	174
09:00 AM	3	1	2	0	6	5	38	19	0	62	34	8	19	0	61	8	27	6	0	41	170
Total Volume	9	10	6	0	25	22	119	82	0	223	168	37	69	0	274	38	100	17	2	157	679
% App. Total	36	40	24	0		9.9	53.4	36.8	0		61.3	13.5	25.2	0		24.2	63.7	10.8	1.3		
PHF	.563	.500	.750	.000	.893	.917	.783	.854	.000	.885	.792	.578	.908	.000	.890	.679	.833	.708	.250	.835	.938



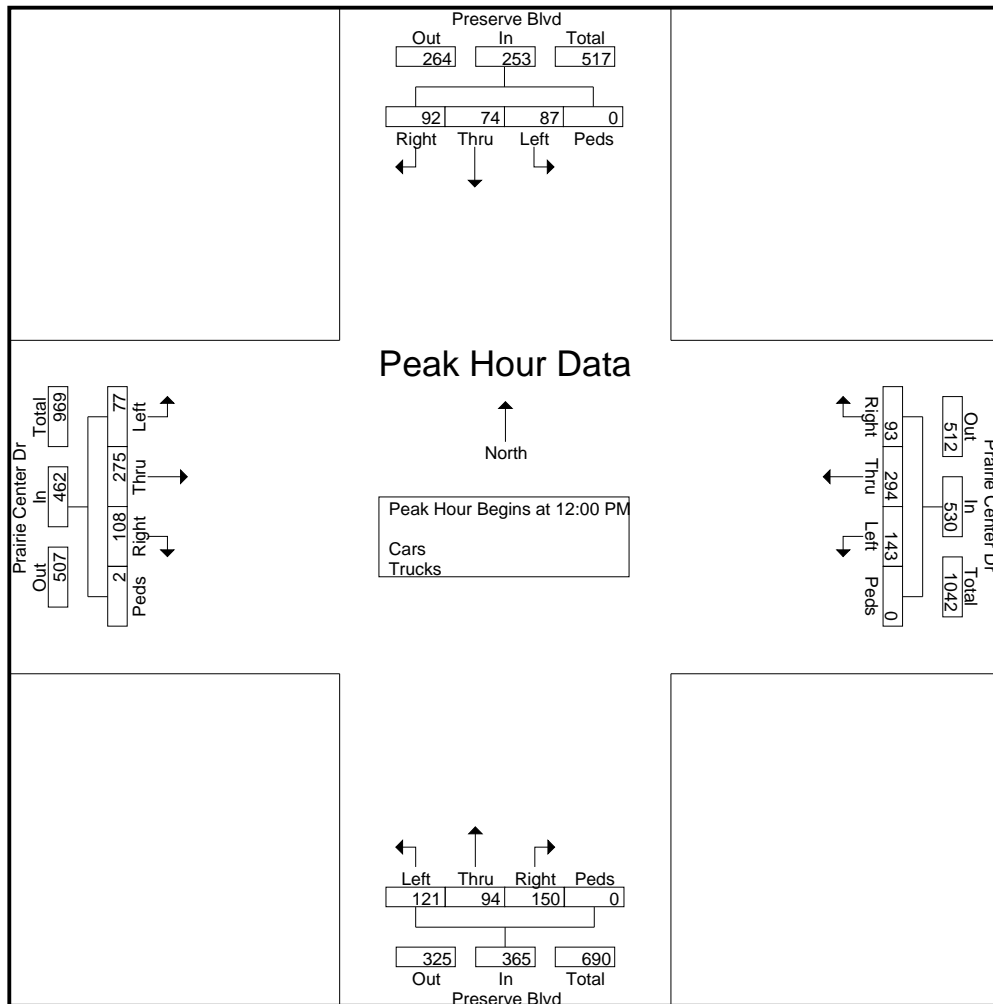
Alliant Engineering, Inc.

733 Marquette Ave #700, Minneapolis, MN 55402

Prairie Center Dr & Preserve Blvd
 Ref Pt:
 data by: Alliant Inc
 TURN MOVEMENT COUNT

File Name : 19_EP_Prairie Center Dr at Preserve Blvd
 Site Code :
 Start Date : 12/9/2020
 Page No : 4

Start Time	Preserve Blvd Southbound					Prairie Center Dr Westbound					Preserve Blvd Northbound					Prairie Center Dr Eastbound					Int. Total
	Right	Thru	Left	Peds	App. Total	Right	Thru	Left	Peds	App. Total	Right	Thru	Left	Peds	App. Total	Right	Thru	Left	Peds	App. Total	
Peak Hour Analysis From 10:00 AM to 01:45 PM - Peak 1 of 1																					
Peak Hour for Entire Intersection Begins at 12:00 PM																					
12:00 PM	23	19	24	0	66	31	77	36	0	144	25	19	32	0	76	30	62	21	1	114	400
12:15 PM	27	19	18	0	64	16	73	36	0	125	34	30	36	0	100	33	76	16	0	125	414
12:30 PM	20	17	23	0	60	29	82	35	0	146	43	18	26	0	87	20	72	19	0	111	404
12:45 PM	22	19	22	0	63	17	62	36	0	115	48	27	27	0	102	25	65	21	1	112	392
Total Volume	92	74	87	0	253	93	294	143	0	530	150	94	121	0	365	108	275	77	2	462	1610
% App. Total	36.4	29.2	34.4	0		17.5	55.5	27	0		41.1	25.8	33.2	0		23.4	59.5	16.7	0.4		
PHF	.852	.974	.906	.000	.958	.750	.896	.993	.000	.908	.781	.783	.840	.000	.895	.818	.905	.917	.500	.924	.972



Alliant Engineering, Inc.

733 Marquette Ave #700, Minneapolis, MN 55402

Prairie Center Dr & Preserve Blvd
 Ref Pt:
 data by: Alliant Inc
 TURN MOVEMENT COUNT

File Name : 19_EP_Prairie Center Dr at Preserve Blvd
 Site Code :
 Start Date : 12/9/2020
 Page No : 5

Start Time	Preserve Blvd Southbound					Prairie Center Dr Westbound					Preserve Blvd Northbound					Prairie Center Dr Eastbound					Int. Total
	Right	Thru	Left	Peds	App. Total	Right	Thru	Left	Peds	App. Total	Right	Thru	Left	Peds	App. Total	Right	Thru	Left	Peds	App. Total	
Peak Hour Analysis From 02:00 PM to 05:45 PM - Peak 1 of 1																					
Peak Hour for Entire Intersection Begins at 04:30 PM																					
04:30 PM	29	41	17	0	87	28	54	64	0	146	55	33	30	0	118	42	43	27	2	114	465
04:45 PM	28	25	13	1	67	15	63	68	1	147	33	38	26	0	97	39	47	15	1	102	413
05:00 PM	31	39	13	0	83	11	61	66	0	138	50	25	30	0	105	34	55	9	1	99	425
05:15 PM	29	33	13	0	75	11	65	62	0	138	35	24	44	0	103	36	50	16	0	102	418
Total Volume	117	138	56	1	312	65	243	260	1	569	173	120	130	0	423	151	195	67	4	417	1721
% App. Total	37.5	44.2	17.9	0.3		11.4	42.7	45.7	0.2		40.9	28.4	30.7	0		36.2	46.8	16.1	1		
PHF	.944	.841	.824	.250	.897	.580	.935	.956	.250	.968	.786	.789	.739	.000	.896	.899	.886	.620	.500	.914	.925

