

Alliant Engineering, Inc.

733 Marquette Ave #700, Minneapolis, MN 55402

VVR & TH 212 W Ramp-Bryant
 Ref Pt: 51+00.465
 data by: Alliant Inc
 TURN MOVEMENT COUNT

File Name : 13_MNDOT_VVR at TH 212 W Ramp-Bryant Lake Dr
 Site Code : 1735778
 Start Date : 12/14/2020
 Page No : 1

Groups Printed- Cars - Trucks

Start Time	TH 212 W Ramp/Bryant Southbound					Valley View Rd Westbound					N/A Northbound					Valley View Rd Eastbound					Int. Total
	Right	Thru	Left	Peds	App. Total	Right	Thru	Left	Peds	App. Total	Right	Thru	Left	Peds	App. Total	Right	Thru	Left	Peds	App. Total	
06:00 AM	11	0	7	0	18	4	19	0	0	23	0	0	0	0	0	0	18	2	0	20	61
06:15 AM	7	0	16	0	23	2	21	0	0	23	0	0	0	0	0	0	29	5	0	34	80
06:30 AM	16	0	19	0	35	3	34	0	0	37	0	0	0	0	0	0	31	1	0	32	104
06:45 AM	16	0	28	0	44	10	52	0	0	62	0	0	0	0	0	0	40	2	0	42	148
Total	50	0	70	0	120	19	126	0	0	145	0	0	0	0	0	0	118	10	0	128	393
07:00 AM	19	0	31	0	50	12	48	0	0	60	0	0	0	0	0	0	38	3	0	41	151
07:15 AM	29	0	33	0	62	6	43	0	0	49	0	0	0	0	0	0	57	2	0	59	170
07:30 AM	15	0	46	0	61	6	55	0	0	61	0	0	0	0	0	0	59	3	0	62	184
07:45 AM	27	0	54	0	81	3	81	0	0	84	0	0	0	0	0	0	74	6	0	80	245
Total	90	0	164	0	254	27	227	0	0	254	0	0	0	0	0	0	228	14	0	242	750
08:00 AM	17	0	40	0	57	0	85	0	0	85	0	0	0	0	0	0	67	0	0	67	209
08:15 AM	20	0	48	0	68	0	57	0	0	57	0	0	0	0	0	0	70	2	0	72	197
08:30 AM	14	0	49	0	63	0	83	0	0	83	0	0	0	0	0	0	70	6	0	76	222
08:45 AM	10	0	53	0	63	0	67	0	0	67	0	0	0	0	0	0	65	9	0	74	204
Total	61	0	190	0	251	0	292	0	0	292	0	0	0	0	0	0	272	17	0	289	832
09:00 AM	8	0	40	0	48	0	58	0	0	58	0	0	0	0	0	0	64	4	0	68	174
09:15 AM	28	0	40	0	68	1	50	0	0	51	0	0	0	0	0	0	72	1	1	74	193
*** BREAK ***																					
Total	36	0	80	0	116	1	108	0	0	109	0	0	0	0	0	0	136	5	1	142	367
*** BREAK ***																					
10:30 AM	26	0	67	0	93	8	73	0	0	81	0	0	0	0	0	0	77	3	0	80	254
10:45 AM	26	0	58	0	84	14	65	0	0	79	0	0	0	0	0	0	85	5	0	90	253
Total	52	0	125	0	177	22	138	0	0	160	0	0	0	0	0	0	162	8	0	170	507
11:00 AM	20	0	61	0	81	12	63	0	0	75	0	0	0	0	0	0	103	7	0	110	266
11:15 AM	26	0	85	0	111	21	81	0	0	102	0	0	0	0	0	0	87	4	1	92	305
11:30 AM	29	0	90	0	119	22	90	0	0	112	0	0	0	0	0	0	78	5	0	83	314
11:45 AM	23	0	72	0	95	26	107	0	0	133	0	0	0	0	0	0	97	10	0	107	335
Total	98	0	308	0	406	81	341	0	0	422	0	0	0	0	0	0	365	26	1	392	1220
12:00 PM	21	0	86	0	107	18	87	0	0	105	0	0	0	0	0	0	83	8	0	91	303
12:15 PM	25	0	104	0	129	24	83	0	0	107	0	0	0	0	0	0	72	5	0	77	313
12:30 PM	21	0	79	0	100	24	89	0	0	113	0	0	0	0	0	0	83	7	0	90	303
12:45 PM	31	0	96	0	127	35	83	0	0	118	0	0	0	0	0	0	97	7	0	104	349
Total	98	0	365	0	463	101	342	0	0	443	0	0	0	0	0	0	335	27	0	362	1268
01:00 PM	30	0	98	0	128	24	92	0	0	116	0	0	0	0	0	0	68	12	0	80	324
01:15 PM	26	0	73	0	99	25	95	0	0	120	0	0	0	0	0	0	109	5	0	114	333
*** BREAK ***																					
Total	56	0	171	0	227	49	187	0	0	236	0	0	0	0	0	0	177	17	0	194	657
*** BREAK ***																					
02:30 PM	24	0	85	0	109	21	99	0	0	120	0	0	0	0	0	0	93	4	0	97	326
02:45 PM	31	0	97	0	128	23	120	0	0	143	0	0	0	0	0	0	100	7	0	107	378
Total	55	0	182	0	237	44	219	0	0	263	0	0	0	0	0	0	193	11	0	204	704
03:00 PM	26	0	73	0	99	30	104	0	0	134	0	0	0	0	0	0	96	5	0	101	334
03:15 PM	21	0	109	0	130	36	108	0	0	144	0	0	0	0	0	0	108	4	0	112	386
03:30 PM	34	0	88	0	122	24	111	0	0	135	0	0	0	0	0	0	90	3	0	93	350
03:45 PM	31	0	110	0	141	42	108	0	0	150	0	0	0	0	0	0	110	5	0	115	406
Total	112	0	380	0	492	132	431	0	0	563	0	0	0	0	0	0	404	17	0	421	1476
04:00 PM	37	0	100	0	137	45	110	0	0	155	0	0	0	0	0	0	112	7	0	119	411

Alliant Engineering, Inc.

733 Marquette Ave #700, Minneapolis, MN 55402

VVR & TH 212 W Ramp-Bryant
 Ref Pt: 51+00.465
 data by: Alliant Inc
 TURN MOVEMENT COUNT

File Name : 13_MNDOT_VVR at TH 212 W Ramp-Bryant Lake Dr
 Site Code : 1735778
 Start Date : 12/14/2020
 Page No : 2

Groups Printed- Cars - Trucks

Start Time	TH 212 W Ramp/Bryant Southbound					Valley View Rd Westbound					N/A Northbound					Valley View Rd Eastbound					Int. Total
	Right	Thru	Left	Peds	App. Total	Right	Thru	Left	Peds	App. Total	Right	Thru	Left	Peds	App. Total	Right	Thru	Left	Peds	App. Total	
04:15 PM	29	0	106	0	135	24	117	0	0	141	0	0	0	0	0	0	116	4	0	120	396
04:30 PM	28	0	98	0	126	32	144	0	0	176	0	0	0	0	0	0	130	9	0	139	441
04:45 PM	28	0	81	0	109	32	108	0	0	140	0	0	0	0	0	0	105	6	0	111	360
Total	122	0	385	0	507	133	479	0	0	612	0	0	0	0	0	0	463	26	0	489	1608
05:00 PM	31	0	86	0	117	41	143	0	0	184	0	0	0	0	0	0	128	7	0	135	436
05:15 PM	30	0	83	0	113	41	147	0	0	188	0	0	0	0	0	0	115	4	0	119	420
05:30 PM	24	0	93	0	117	30	112	0	0	142	0	0	0	0	0	0	98	4	0	102	361
05:45 PM	27	0	84	0	111	32	81	0	0	113	0	0	0	0	0	0	82	5	0	87	311
Total	112	0	346	0	458	144	483	0	0	627	0	0	0	0	0	0	423	20	0	443	1528
Grand Total	942	0	2766	0	3708	753	3373	0	0	4126	0	0	0	0	0	0	3276	198	2	3476	11310
Apprch %	25.4	0	74.6	0		18.3	81.7	0	0		0	0	0	0	0	0	94.2	5.7	0.1		
Total %	8.3	0	24.5	0	32.8	6.7	29.8	0	0	36.5	0	0	0	0	0	0	29	1.8	0	30.7	
Cars	910	0	2718	0	3628	736	3252	0	0	3988	0	0	0	0	0	0	3192	190	0	3382	10998
% Cars	96.6	0	98.3	0	97.8	97.7	96.4	0	0	96.7	0	0	0	0	0	0	97.4	96	0	97.3	97.2
Trucks	32	0	48	0	80	17	121	0	0	138	0	0	0	0	0	0	84	8	2	94	312
% Trucks	3.4	0	1.7	0	2.2	2.3	3.6	0	0	3.3	0	0	0	0	0	0	2.6	4	100	2.7	2.8

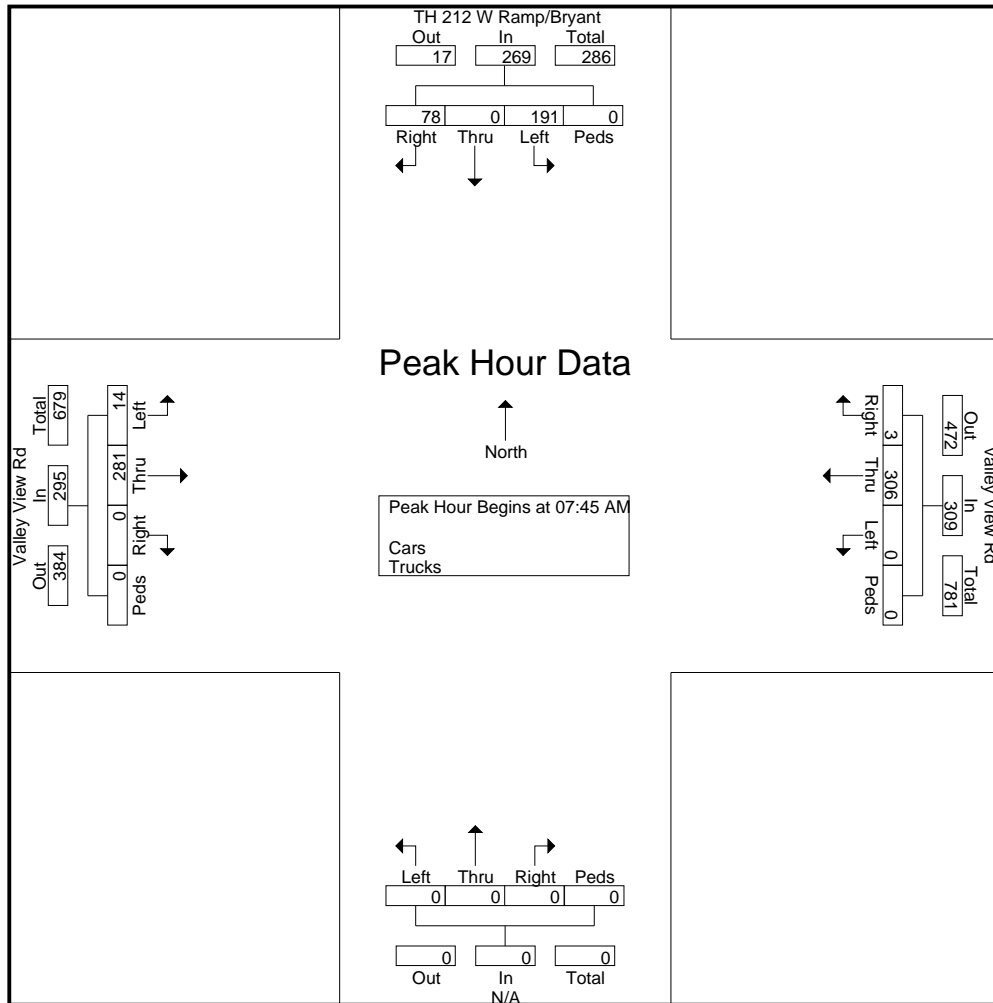
Alliant Engineering, Inc.

733 Marquette Ave #700, Minneapolis, MN 55402

VVR & TH 212 W Ramp-Bryant
 Ref Pt: 51+00.465
 data by: Alliant Inc
 TURN MOVEMENT COUNT

File Name : 13_MNDOT_VVR at TH 212 W Ramp-Bryant Lake Dr
 Site Code : 1735778
 Start Date : 12/14/2020
 Page No : 3

Start Time	TH 212 W Ramp/Bryant Southbound					Valley View Rd Westbound					N/A Northbound					Valley View Rd Eastbound					Int. Total
	Right	Thru	Left	Peds	App. Total	Right	Thru	Left	Peds	App. Total	Right	Thru	Left	Peds	App. Total	Right	Thru	Left	Peds	App. Total	
Peak Hour Analysis From 06:00 AM to 09:45 AM - Peak 1 of 1																					
Peak Hour for Entire Intersection Begins at 07:45 AM																					
07:45 AM	27	0	54	0	81	3	81	0	0	84	0	0	0	0	0	0	74	6	0	80	245
08:00 AM	17	0	40	0	57	0	85	0	0	85	0	0	0	0	0	0	67	0	0	67	209
08:15 AM	20	0	48	0	68	0	57	0	0	57	0	0	0	0	0	0	70	2	0	72	197
08:30 AM	14	0	49	0	63	0	83	0	0	83	0	0	0	0	0	0	70	6	0	76	222
Total Volume	78	0	191	0	269	3	306	0	0	309	0	0	0	0	0	0	281	14	0	295	873
% App. Total	29	0	71	0		1	99	0	0		0	0	0	0		0	95.3	4.7	0		
PHF	.722	.000	.884	.000	.830	.250	.900	.000	.000	.909	.000	.000	.000	.000	.000	.000	.949	.583	.000	.922	.891



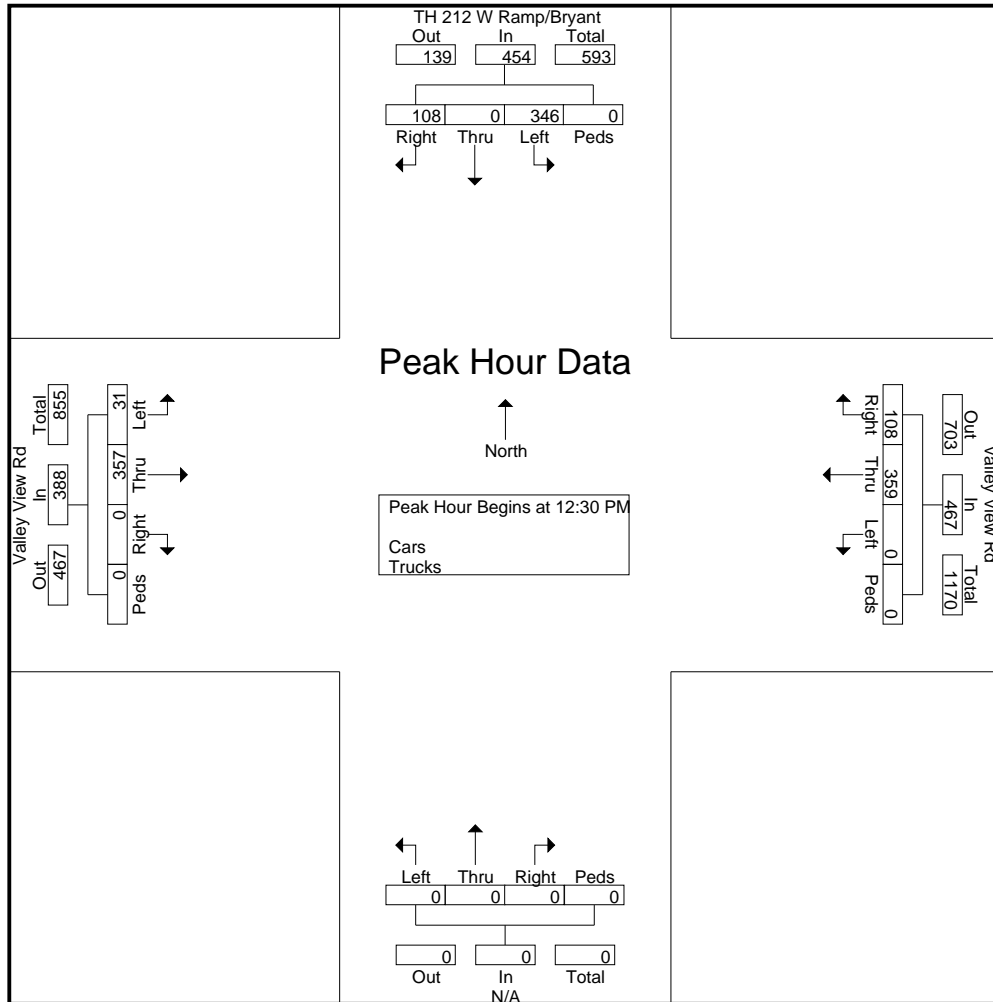
Alliant Engineering, Inc.

733 Marquette Ave #700, Minneapolis, MN 55402

VVR & TH 212 W Ramp-Bryant
 Ref Pt: 51+00.465
 data by: Alliant Inc
 TURN MOVEMENT COUNT

File Name : 13_MNDOT_VVR at TH 212 W Ramp-Bryant Lake Dr
 Site Code : 1735778
 Start Date : 12/14/2020
 Page No : 4

Start Time	TH 212 W Ramp/Bryant Southbound					Valley View Rd Westbound					N/A Northbound					Valley View Rd Eastbound					Int. Total
	Right	Thru	Left	Peds	App. Total	Right	Thru	Left	Peds	App. Total	Right	Thru	Left	Peds	App. Total	Right	Thru	Left	Peds	App. Total	
Peak Hour Analysis From 10:00 AM to 01:45 PM - Peak 1 of 1																					
Peak Hour for Entire Intersection Begins at 12:30 PM																					
12:30 PM	21	0	79	0	100	24	89	0	0	113	0	0	0	0	0	0	83	7	0	90	303
12:45 PM	31	0	96	0	127	35	83	0	0	118	0	0	0	0	0	0	97	7	0	104	349
01:00 PM	30	0	98	0	128	24	92	0	0	116	0	0	0	0	0	0	68	12	0	80	324
01:15 PM	26	0	73	0	99	25	95	0	0	120	0	0	0	0	0	0	109	5	0	114	333
Total Volume	108	0	346	0	454	108	359	0	0	467	0	0	0	0	0	0	357	31	0	388	1309
% App. Total	23.8	0	76.2	0		23.1	76.9	0	0		0	0	0	0	0	0	89	8	0		
PHF	.871	.000	.883	.000	.887	.771	.945	.000	.000	.973	.000	.000	.000	.000	.000	.000	.819	.646	.000	.851	.938



Alliant Engineering, Inc.

733 Marquette Ave #700, Minneapolis, MN 55402

VVR & TH 212 W Ramp-Bryant
 Ref Pt: 51+00.465
 data by: Alliant Inc
 TURN MOVEMENT COUNT

File Name : 13_MNDOT_VVR at TH 212 W Ramp-Bryant Lake Dr
 Site Code : 1735778
 Start Date : 12/14/2020
 Page No : 5

Start Time	TH 212 W Ramp/Bryant Southbound					Valley View Rd Westbound					N/A Northbound					Valley View Rd Eastbound					Int. Total
	Right	Thru	Left	Peds	App. Total	Right	Thru	Left	Peds	App. Total	Right	Thru	Left	Peds	App. Total	Right	Thru	Left	Peds	App. Total	
Peak Hour Analysis From 02:00 PM to 05:45 PM - Peak 1 of 1																					
Peak Hour for Entire Intersection Begins at 04:30 PM																					
04:30 PM	28	0	98	0	126	32	144	0	0	176	0	0	0	0	0	0	130	9	0	139	441
04:45 PM	28	0	81	0	109	32	108	0	0	140	0	0	0	0	0	0	105	6	0	111	360
05:00 PM	31	0	86	0	117	41	143	0	0	184	0	0	0	0	0	0	128	7	0	135	436
05:15 PM	30	0	83	0	113	41	147	0	0	188	0	0	0	0	0	0	115	4	0	119	420
Total Volume	117	0	348	0	465	146	542	0	0	688	0	0	0	0	0	0	478	26	0	504	1657
% App. Total	25.2	0	74.8	0		21.2	78.8	0	0		0	0	0	0	0	0	94.8	5.2	0		
PHF	.944	.000	.888	.000	.923	.890	.922	.000	.000	.915	.000	.000	.000	.000	.000	.000	.919	.722	.000	.906	.939

