

Albeck Gerken, Inc

Transportation Engineers

Traffic Data Collection

TH-212 at Regional Center Rd.

Ref.Pt.: 158.824

Data by: Albeck Gerken Inc - Doretha/Nic

TURN MOVEMENT COUNT

File Name : TH-212 at Regional Center Rd 2004

Site Code : 00000000

Start Date : 12/8/2004

Page No : 1

Groups Printed- Unshifted

Start Time	TH-212 / Flying Cloud Dr. Southbound				Mall entrance Westbound				TH-212 / Flying Cloud Dr. Northbound				Regional Center Road Eastbound				Int. Total
	Left	Thru	Right	Peds	Left	Thru	Right	Peds	Left	Thru	Right	Peds	Left	Thru	Right	Peds	
06:30	15	96	1	0	4	5	15	2	0	282	16	0	3	1	3	0	443
06:45	5	99	2	1	3	6	13	0	2	305	14	0	1	3	1	0	455
Total	20	195	3	1	7	11	28	2	2	587	30	0	4	4	4	0	898
07:00	11	108	0	0	0	5	19	0	7	294	17	0	4	3	4	0	472
07:15	11	136	2	0	2	4	19	0	10	354	28	0	4	11	2	0	583
07:30	13	127	5	0	10	11	26	0	2	351	32	0	3	2	2	0	584
07:45	9	148	8	0	8	7	25	0	6	337	24	0	5	5	1	0	583
Total	44	519	15	0	20	27	89	0	25	1336	101	0	16	21	9	0	2222
08:00	10	110	2	0	0	5	26	0	6	326	23	0	2	4	3	0	517
08:15	17	86	4	0	5	7	30	0	11	279	25	0	8	4	2	0	478
*** BREAK ***																	
Total	27	196	6	0	5	12	56	0	17	605	48	0	10	8	5	0	995
*** BREAK ***																	
11:30	34	163	10	0	8	31	33	0	22	151	56	0	9	14	12	1	544
11:45	45	163	17	0	16	28	39	0	12	224	53	0	15	16	9	0	637
Total	79	326	27	0	24	59	72	0	34	375	109	0	24	30	21	1	1181
12:00	54	183	22	0	10	13	42	0	6	175	89	0	18	29	7	0	648
12:15	47	159	17	0	23	25	56	0	9	195	54	0	29	18	13	0	645
12:30	50	174	14	0	22	45	45	4	13	207	49	1	32	18	17	0	691
12:45	35	179	6	0	28	29	58	0	9	196	41	0	18	17	4	0	620
Total	186	695	59	0	83	112	201	4	37	773	233	1	97	82	41	0	2604
13:00	40	150	10	0	9	27	50	0	15	202	50	0	30	25	15	0	623
13:15	47	167	5	0	21	35	52	0	8	192	42	0	21	18	10	0	618
*** BREAK ***																	
Total	87	317	15	0	30	62	102	0	23	394	92	0	51	43	25	0	1241
*** BREAK ***																	
16:00	25	280	12	0	7	15	23	2	19	164	33	0	13	13	11	0	617
16:15	32	265	18	0	18	13	27	0	12	134	30	0	16	12	23	0	600
16:30	26	289	14	0	29	25	24	1	8	147	42	0	9	13	26	0	653
16:45	27	305	14	0	18	21	28	0	15	151	41	0	11	11	19	0	661
Total	110	1139	58	0	72	74	102	3	54	596	146	0	49	49	79	0	2531
17:00	30	290	15	0	24	30	31	0	13	161	49	0	13	14	18	0	688
17:15	36	317	12	0	23	29	37	0	21	182	60	0	12	10	12	0	751
17:30	33	272	10	0	19	22	26	0	16	190	43	0	10	12	13	0	666
17:45	36	293	17	0	20	25	28	0	5	157	45	0	15	18	14	0	673
Total	135	1172	54	0	86	106	122	0	55	690	197	0	50	54	57	0	2778
Grand Total	688	4559	237	1	327	463	772	9	247	5356	956	1	301	291	241	1	14450
Apprch %	12.5	83.1	4.3	0	20.8	29.5	49.1	0.6	3.8	81.6	14.6	0	36.1	34.9	28.9	0.1	
Total %	4.8	31.6	1.6	0	2.3	3.2	5.3	0.1	1.7	37.1	6.6	0	2.1	2	1.7	0	

Albeck Gerken, Inc

Transportation Engineers

Traffic Data Collection

TH-212 at Regional Center Rd.

Ref.Pt.: 158.824

Data by: Albeck Gerken Inc - Doretha/Nic

TURN MOVEMENT COUNT

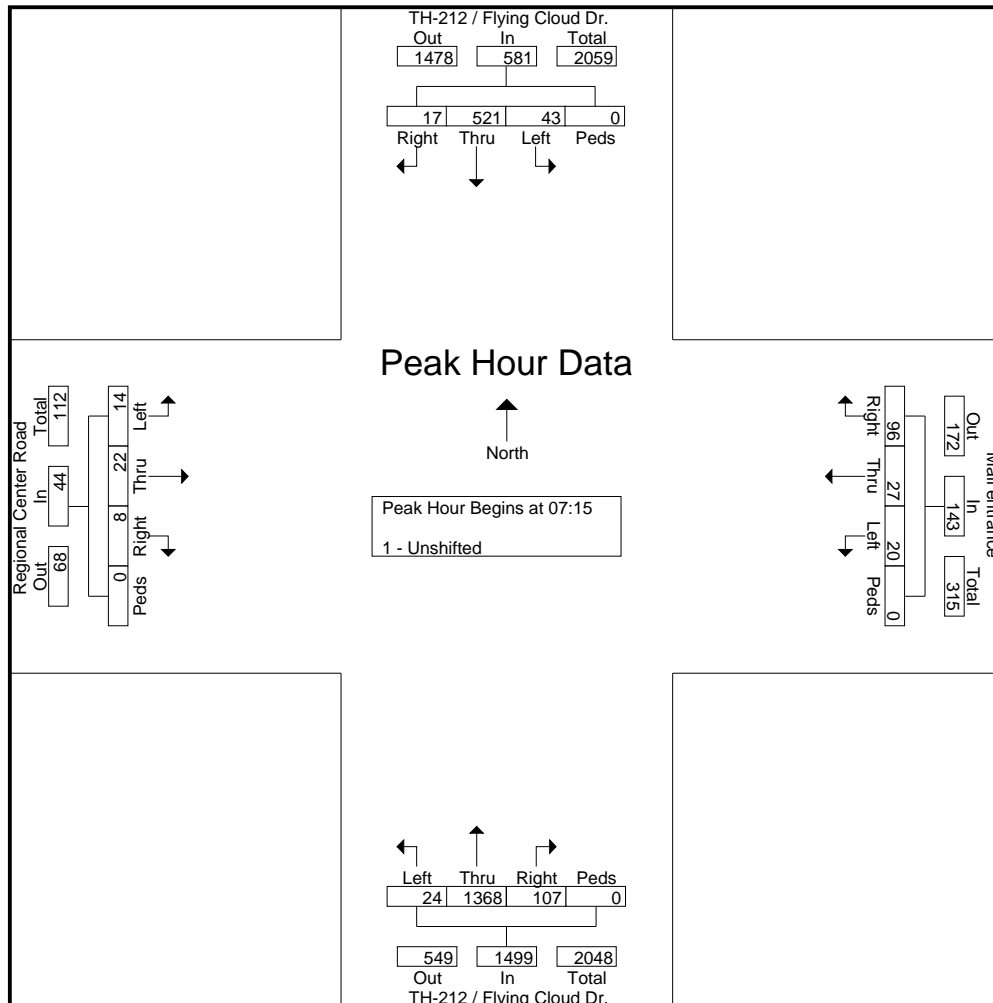
File Name : TH-212 at Regional Center Rd 2004

Site Code : 00000000

Start Date : 12/8/2004

Page No : 2

	TH-212 / Flying Cloud Dr. Southbound					Mall entrance Westbound					TH-212 / Flying Cloud Dr. Northbound					Regional Center Road Eastbound					
Start Time	Left	Thru	Right	Peds	App. Total	Left	Thru	Right	Peds	App. Total	Left	Thru	Right	Peds	App. Total	Left	Thru	Right	Peds	App. Total	Int. Total
Peak Hour Analysis From 06:30 to 08:15 - Peak 1 of 1																					
Peak Hour for Entire Intersection Begins at 07:15																					
07:15	11	136	2	0	149	2	4	19	0	25	10	354	28	0	392	4	11	2	0	17	583
07:30	13	127	5	0	145	10	11	26	0	47	2	351	32	0	385	3	2	2	0	7	584
07:45	9	148	8	0	165	8	7	25	0	40	6	337	24	0	367	5	5	1	0	11	583
08:00	10	110	2	0	122	0	5	26	0	31	6	326	23	0	355	2	4	3	0	9	517
Total Volume	43	521	17	0	581	20	27	96	0	143	24	1368	107	0	1499	14	22	8	0	44	2267
% App. Total	7.4	89.7	2.9	0		14	18.9	67.1	0		1.6	91.3	7.1	0		31.8	50	18.2	0		
PHF	.827	.880	.531	.000	.880	.500	.614	.923	.000	.761	.600	.966	.836	.000	.956	.700	.500	.667	.000	.647	.970



Albeck Gerken, Inc

Transportation Engineers

Traffic Data Collection

TH-212 at Regional Center Rd.

Ref.Pt.: 158.824

Data by: Albeck Gerken Inc - Doretha/Nic

TURN MOVEMENT COUNT

File Name : TH-212 at Regional Center Rd 2004

Site Code : 00000000

Start Date : 12/8/2004

Page No : 3

Start Time	TH-212 / Flying Cloud Dr. Southbound					Mall entrance Westbound					TH-212 / Flying Cloud Dr. Northbound					Regional Center Road Eastbound					Int. Total
	Left	Thru	Right	Peds	App. Total	Left	Thru	Right	Peds	App. Total	Left	Thru	Right	Peds	App. Total	Left	Thru	Right	Peds	App. Total	
Peak Hour Analysis From 16:00 to 17:45 - Peak 1 of 1																					
Peak Hour for Entire Intersection Begins at 17:00																					
17:00	30	290	15	0	335	24	30	31	0	85	13	161	49	0	223	13	14	18	0	45	688
17:15	36	317	12	0	365	23	29	37	0	89	21	182	60	0	263	12	10	12	0	34	751
17:30	33	272	10	0	315	19	22	26	0	67	16	190	43	0	249	10	12	13	0	35	666
17:45	36	293	17	0	346	20	25	28	0	73	5	157	45	0	207	15	18	14	0	47	673
Total Volume	135	1172	54	0	1361	86	106	122	0	314	55	690	197	0	942	50	54	57	0	161	2778
% App. Total	9.9	86.1	4	0		27.4	33.8	38.9	0		5.8	73.2	20.9	0		31.1	33.5	35.4	0		
PHF	.938	.924	.794	.000	.932	.896	.883	.824	.000	.882	.655	.908	.821	.000	.895	.833	.750	.792	.000	.856	.925

