



# MINNESOTA DEPT OF TRANSPORTATION

## TRAFFIC DATA COLLECTION - METRO

TH-52 at 70th St E / CSAH-26, E Ramps File Name : TH-52 at 70th Ave E CSAH-26 E RAMP 2009  
 Ref.Pt.: 123.505 Site Code : 00000000  
 JAMAR #D4-3365 CH Start Date : 6/24/2009  
 TURN MOVEMENT COUNT Page No : 1

### Groups Printed- Cars & Trucks

Start Time	ramp to NB TH-52 Southbound				70th St E / CSAH-26 Westbound				ramp from NB TH-52 Northbound				70th St E / CSAH-26 Eastbound				Int. Total
	Left	Thru	Right	Peds	Left	Thru	Right	Peds	Left	Thru	Right	Peds	Left	Thru	Right	Peds	
06:00	0	0	0	0	0	24	77	1	1	0	2	0	22	18	0	1	146
06:15	0	0	0	0	0	38	119	0	0	1	2	0	38	9	0	0	207
06:30	0	0	0	0	0	27	111	0	2	0	3	0	49	16	0	1	209
06:45	0	0	0	0	0	36	105	0	0	0	5	0	67	33	0	6	252
Total	0	0	0	0	0	125	412	1	3	1	12	0	176	76	0	8	814
07:00	0	0	0	0	0	38	138	0	1	0	4	0	54	26	0	0	261
07:15	0	0	0	0	0	54	113	0	0	0	4	0	79	36	0	0	286
07:30	0	0	0	0	0	51	151	1	0	0	4	0	82	32	0	1	322
07:45	0	0	0	0	0	62	110	0	0	0	10	0	61	39	0	0	282
Total	0	0	0	0	0	205	512	1	1	0	22	0	276	133	0	1	1151
08:00	0	0	0	0	0	48	91	0	1	0	6	0	63	36	0	0	245
08:15	0	0	0	0	0	42	93	1	2	0	4	0	49	42	0	0	233
08:30	0	0	0	0	0	37	73	1	2	0	4	0	48	40	0	0	205
08:45	0	0	0	0	0	37	68	0	1	0	9	0	42	59	0	2	218
Total	0	0	0	0	0	164	325	2	6	0	23	0	202	177	0	2	901
15:00	0	0	0	0	0	31	47	0	2	1	11	0	47	103	0	1	243
15:15	0	0	0	0	0	42	51	0	4	0	5	0	60	119	0	0	281
15:30	0	0	0	0	0	31	63	0	0	0	8	0	52	123	0	0	277
15:45	0	0	0	0	0	28	55	1	3	0	5	0	54	158	0	0	304
Total	0	0	0	0	0	132	216	1	9	1	29	0	213	503	0	1	1105
16:00	0	0	0	0	0	41	57	0	6	0	8	0	50	150	0	0	312
16:15	0	0	0	0	0	66	50	0	3	0	8	0	81	167	0	0	375
16:30	0	0	0	0	0	50	58	0	1	1	8	0	52	168	0	0	338
16:45	0	0	0	0	0	51	56	1	1	0	10	0	44	179	0	0	342
Total	0	0	0	0	0	208	221	1	11	1	34	0	227	664	0	0	1367
17:00	0	0	0	0	0	52	49	0	3	1	4	0	48	173	0	1	331
17:15	0	0	0	0	0	51	78	0	2	0	7	0	62	189	0	1	390
17:30	0	0	0	0	0	61	57	0	2	1	13	0	50	170	0	2	356
17:45	0	0	0	0	0	58	66	0	4	0	14	0	32	159	0	1	334
Total	0	0	0	0	0	222	250	0	11	2	38	0	192	691	0	5	1411
Grand Total	0	0	0	0	0	1056	1936	6	41	5	158	0	1286	2244	0	17	6749
Apprch %	0	0	0	0	0	35.2	64.6	0.2	20.1	2.5	77.5	0	36.3	63.3	0	0.5	
Total %	0	0	0	0	0	15.6	28.7	0.1	0.6	0.1	2.3	0	19.1	33.2	0	0.3	

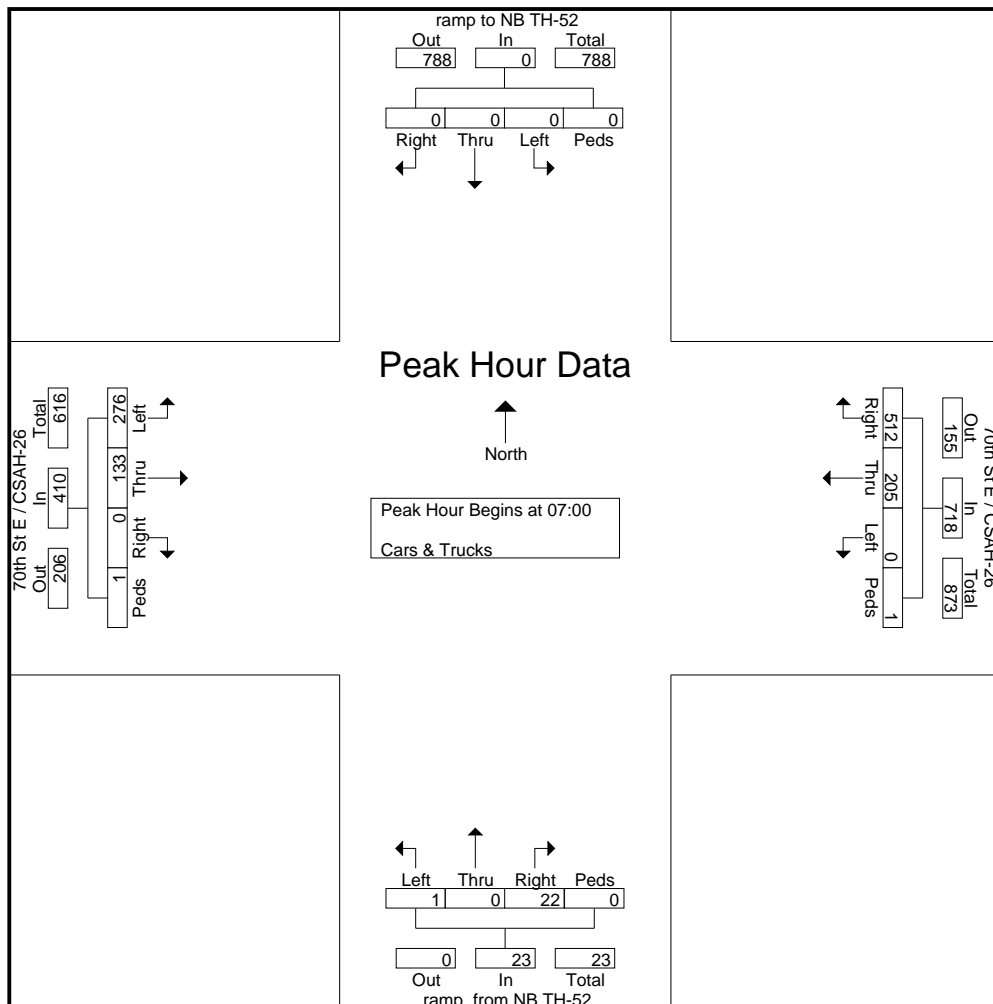


# MINNESOTA DEPT OF TRANSPORTATION

## TRAFFIC DATA COLLECTION - METRO

TH-52 at 70th St E / CSAH-26, E Ramps File Name : TH-52 at 70th Ave E CSAH-26 E RAMP 2009  
 Ref.Pt.: 123.505 Site Code : 00000000  
 JAMAR #D4-3365 CH Start Date : 6/24/2009  
 TURN MOVEMENT COUNT Page No : 2

Start Time	ramp to NB TH-52 Southbound					70th St E / CSAH-26 Westbound					ramp from NB TH-52 Northbound					70th St E / CSAH-26 Eastbound					Int. Total
	Left	Thru	Right	Peds	App. Total	Left	Thru	Right	Peds	App. Total	Left	Thru	Right	Peds	App. Total	Left	Thru	Right	Peds	App. Total	
Peak Hour Analysis From 06:00 to 08:45 - Peak 1 of 1																					
Peak Hour for Entire Intersection Begins at 07:00																					
07:00	0	0	0	0	0	0	38	138	0	176	1	0	4	0	5	54	26	0	0	80	261
07:15	0	0	0	0	0	0	54	113	0	167	0	0	4	0	4	79	36	0	0	115	286
07:30	0	0	0	0	0	0	51	151	1	203	0	0	4	0	4	82	32	0	1	115	322
07:45	0	0	0	0	0	0	62	110	0	172	0	0	10	0	10	61	39	0	0	100	282
Total Volume	0	0	0	0	0	0	205	512	1	718	1	0	22	0	23	276	133	0	1	410	1151
% App. Total	0	0	0	0	0	0	28.6	71.3	0.1		4.3	0	95.7	0		67.3	32.4	0	0.2		
PHF	.000	.000	.000	.000	.000	.000	.827	.848	.250	.884	.250	.000	.550	.000	.575	.841	.853	.000	.250	.891	.894





# MINNESOTA DEPT OF TRANSPORTATION

## TRAFFIC DATA COLLECTION - METRO

TH-52 at 70th St E / CSAH-26, E Ramps File Name : TH-52 at 70th Ave E CSAH-26 E RAMP 2009  
 Ref.Pt.: 123.505 Site Code : 00000000  
 JAMAR #D4-3365 CH Start Date : 6/24/2009  
 TURN MOVEMENT COUNT Page No : 3

Start Time	ramp to NB TH-52 Southbound					70th St E / CSAH-26 Westbound					ramp from NB TH-52 Northbound					70th St E / CSAH-26 Eastbound					Int. Total
	Left	Thru	Right	Peds	App. Total	Left	Thru	Right	Peds	App. Total	Left	Thru	Right	Peds	App. Total	Left	Thru	Right	Peds	App. Total	
16:45	0	0	0	0	0	0	51	56	1	108	1	0	10	0	11	44	179	0	0	223	342
17:00	0	0	0	0	0	0	52	49	0	101	3	1	4	0	8	48	173	0	1	222	331
17:15	0	0	0	0	0	0	51	78	0	129	2	0	7	0	9	62	189	0	1	252	390
17:30	0	0	0	0	0	0	61	57	0	118	2	1	13	0	16	50	170	0	2	222	356
Total Volume	0	0	0	0	0	0	215	240	1	456	8	2	34	0	44	204	711	0	4	919	1419
% App. Total	0	0	0	0	0	0	47.1	52.6	0.2		18.2	4.5	77.3	0		22.2	77.4	0	0.4		
PHF	.000	.000	.000	.000	.000	.000	.881	.769	.250	.884	.667	.500	.654	.000	.688	.823	.940	.000	.500	.912	.910

Peak Hour Analysis From 15:00 to 17:45 - Peak 1 of 1  
 Peak Hour for Entire Intersection Begins at 16:45

