



MINNESOTA DEPT OF TRANSPORTATION

TRAFFIC DATA COLLECTION - METRO

Location: FILLMORE AVE @ LAFAYETTE RD EAST 2006
 REF. PT.:
 Jamar# 1358/MAR
 TURN MOVEMENT COUNT

File Name : FILLMORE AVE @ LAFAYETTE RD EAST 2006
 Site Code : 00000000
 Start Date : 6/14/2006
 Page No : 1

Groups Printed- Cars & Trucks

Start Time	E LAFAYETTE RD Southbound					FILLMORE AVE Westbound					E LAFAYETTE RD Northbound					FILLMORE AVE Eastbound					Int. Total
	LEFT	THRU	RIGHT	Peds	App. Total	LEFT	THRU	RIGHT	Peds	App. Total	LEFT	THRU	RIGHT	Peds	App. Total	LEFT	THRU	RIGHT	Peds	App. Total	
06:00	0	0	0	0	0	0	2	0	0	2	15	1	1	0	17	0	8	0	0	8	27
06:15	0	0	0	0	0	0	3	0	0	3	15	1	3	0	19	0	6	0	0	6	28
06:30	0	0	2	0	2	0	3	0	0	3	12	0	1	0	13	0	8	0	0	8	26
06:45	0	0	0	0	0	0	1	1	0	2	34	1	3	0	38	1	16	0	0	17	57
Total	0	0	2	0	2	0	9	1	0	10	76	3	8	0	87	1	38	0	0	39	138
07:00	0	0	4	0	4	0	7	0	0	7	26	2	0	0	28	0	7	0	0	7	46
07:15	0	0	2	0	2	0	2	1	0	3	46	3	2	0	51	4	9	0	0	13	69
07:30	0	0	0	0	0	0	2	0	0	2	71	1	2	0	74	4	6	0	0	10	86
07:45	1	0	1	0	2	0	5	1	0	6	70	6	3	0	79	2	11	0	0	13	100
Total	1	0	7	0	8	0	16	2	0	18	213	12	7	0	232	10	33	0	0	43	301
08:00	0	0	2	0	2	0	5	1	0	6	27	2	3	0	32	2	7	0	0	9	49
08:15	1	0	0	0	1	0	8	0	0	8	29	1	3	0	33	0	8	0	0	8	50
08:30	0	0	0	0	0	0	3	0	0	3	23	2	1	0	26	0	2	0	0	2	31
08:45	0	0	1	0	1	0	6	0	0	6	13	1	2	0	16	2	5	0	0	7	30
Total	1	0	3	0	4	0	22	1	0	23	92	6	9	0	107	4	22	0	0	26	160
11:00	0	0	0	0	0	0	10	0	0	10	3	0	2	0	5	0	10	0	0	10	25
11:15	0	0	0	0	0	0	15	0	0	15	9	0	2	0	11	0	8	0	0	8	34
11:30	0	0	0	0	0	0	9	0	0	9	15	0	3	0	18	0	5	0	0	5	32
11:45	0	0	0	0	0	0	11	0	0	11	11	0	3	0	14	0	14	0	0	14	39
Total	0	0	0	0	0	0	45	0	0	45	38	0	10	0	48	0	37	0	0	37	130
12:00	1	0	1	0	2	0	18	1	0	19	17	1	3	0	21	0	10	0	0	10	52
12:15	1	0	3	0	4	0	12	0	0	12	12	2	2	0	16	3	8	0	0	11	43
12:30	1	0	1	0	2	0	10	1	0	11	7	0	3	0	10	3	8	1	0	12	35
12:45	0	1	0	0	1	0	5	2	0	7	10	5	3	0	18	2	11	0	0	13	39
Total	3	1	5	0	9	0	45	4	0	49	46	8	11	0	65	8	37	1	0	46	169
15:00	0	0	2	0	2	0	19	0	0	19	10	0	1	0	11	1	6	0	0	7	39
15:15	2	0	1	0	3	0	11	0	0	11	11	0	1	0	12	1	8	0	0	9	35
15:30	0	0	1	0	1	1	15	1	0	17	11	0	2	0	13	0	13	0	0	13	44
15:45	1	0	2	0	3	0	16	1	0	17	11	0	1	0	12	0	4	0	0	4	36
Total	3	0	6	0	9	1	61	2	0	64	43	0	5	0	48	2	31	0	0	33	154
16:00	2	0	7	0	9	0	9	0	0	9	16	0	1	0	17	1	4	0	0	5	40
16:15	2	0	1	0	3	0	12	0	0	12	8	0	3	0	11	1	6	0	0	7	33
16:30	0	0	2	0	2	0	15	2	0	17	15	1	2	0	18	0	12	0	0	12	49
16:45	2	0	8	0	10	0	5	0	0	5	22	0	3	0	25	0	6	0	0	6	46
Total	6	0	18	0	24	0	41	2	0	43	61	1	9	0	71	2	28	0	0	30	168
17:00	4	0	3	0	7	0	14	0	0	14	18	0	4	0	22	0	7	0	0	7	50
17:15	0	0	1	0	1	0	7	0	0	7	16	0	3	0	19	1	5	0	0	6	33
17:30	0	0	1	0	1	0	2	0	0	2	7	0	0	0	7	0	3	0	0	3	13
17:45	0	0	0	0	0	0	3	0	0	3	8	0	1	0	9	0	3	0	0	3	15
Total	4	0	5	0	9	0	26	0	0	26	49	0	8	0	57	1	18	0	0	19	111
Grand Total	18	1	46	0	65	1	265	12	0	278	618	30	67	0	715	28	244	1	0	273	1331
Apprch %	27.7	1.5	70.8	0		0.4	95.3	4.3	0		86.4	4.2	9.4	0		10.3	89.4	0.4	0		
Total %	1.4	0.1	3.5	0	4.9	0.1	19.9	0.9	0	20.9	46.4	2.3	5	0	53.7	2.1	18.3	0.1	0	20.5	

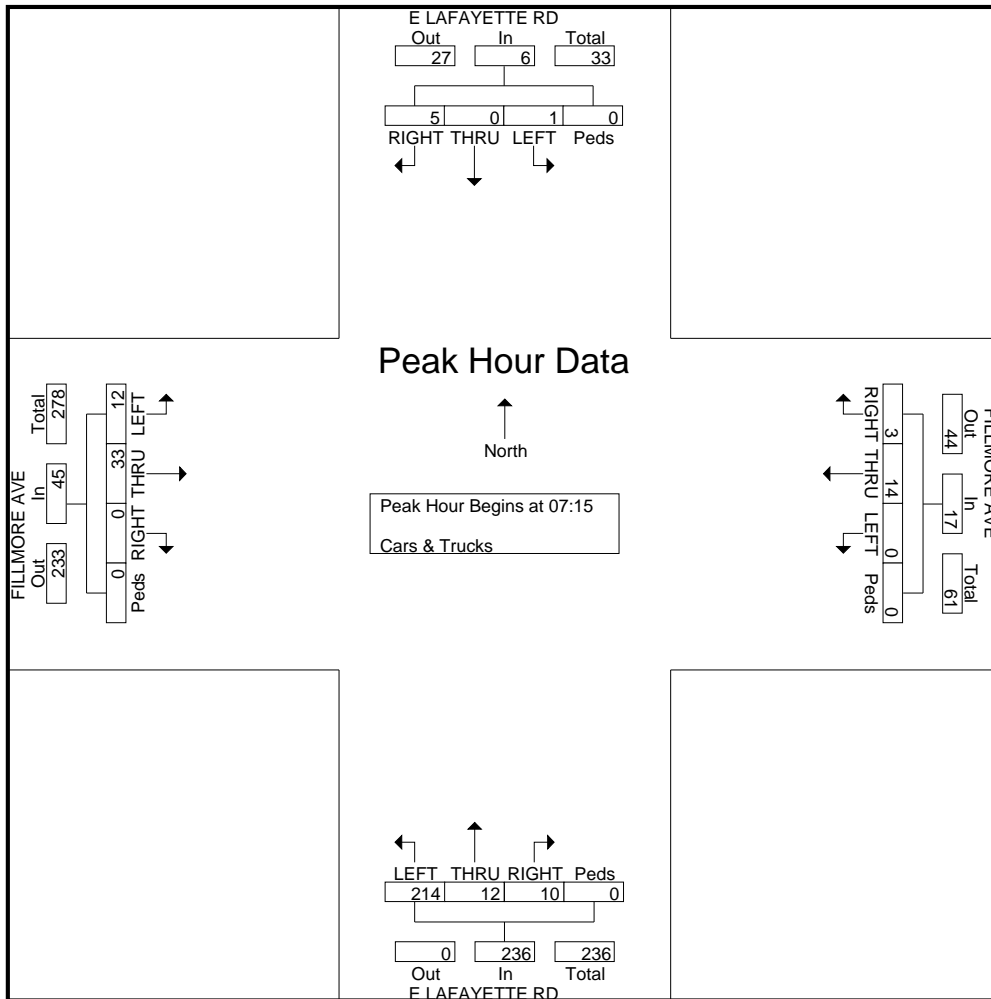


MINNESOTA DEPT OF TRANSPORTATION

TRAFFIC DATA COLLECTION - METRO

File Name : FILLMORE AVE @ LAFAYETTE RD EAST 2006
 Site Code : 00000000
 Start Date : 6/14/2006
 Page No : 2

Start Time	E LAFAYETTE RD Southbound					FILLMORE AVE Westbound					E LAFAYETTE RD Northbound					FILLMORE AVE Eastbound					Int. Total
	LEFT	THRU	RIGHT	Peds	App. Total	LEFT	THRU	RIGHT	Peds	App. Total	LEFT	THRU	RIGHT	Peds	App. Total	LEFT	THRU	RIGHT	Peds	App. Total	
Peak Hour Analysis From 06:00 to 09:45 - Peak 1 of 1																					
Peak Hour for Entire Intersection Begins at 07:15																					
07:15	0	0	2	0	2	0	2	1	0	3	46	3	2	0	51	4	9	0	0	13	69
07:30	0	0	0	0	0	0	2	0	0	2	71	1	2	0	74	4	6	0	0	10	86
07:45	1	0	1	0	2	0	5	1	0	6	70	6	3	0	79	2	11	0	0	13	100
08:00	0	0	2	0	2	0	5	1	0	6	27	2	3	0	32	2	7	0	0	9	49
Total Volume	1	0	5	0	6	0	14	3	0	17	214	12	10	0	236	12	33	0	0	45	304
% App. Total	16.7	0	83.3	0		0	82.4	17.6	0		90.7	5.1	4.2	0		26.7	73.3	0	0		
PHF	.250	.000	.625	.000	.750	.000	.700	.750	.000	.708	.754	.500	.833	.000	.747	.750	.750	.000	.000	.865	.760



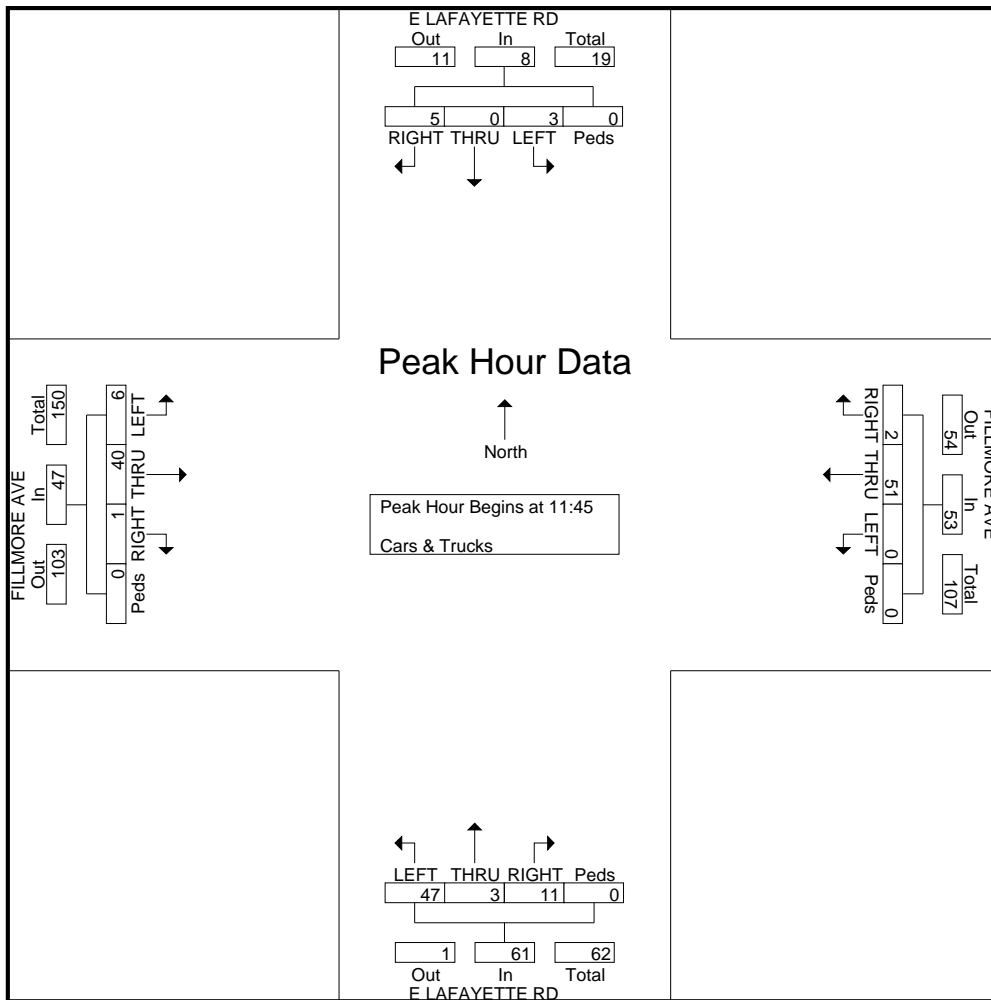


MINNESOTA DEPT OF TRANSPORTATION

TRAFFIC DATA COLLECTION - METRO

File Name : FILLMORE AVE @ LAFAYETTE RD EAST 2006
 Site Code : 00000000
 Start Date : 6/14/2006
 Page No : 3

Start Time	E LAFAYETTE RD Southbound					FILLMORE AVE Westbound					E LAFAYETTE RD Northbound					FILLMORE AVE Eastbound					Int. Total
	LEFT	THRU	RIGHT	Peds	App. Total	LEFT	THRU	RIGHT	Peds	App. Total	LEFT	THRU	RIGHT	Peds	App. Total	LEFT	THRU	RIGHT	Peds	App. Total	
Peak Hour Analysis From 10:00 to 13:45 - Peak 1 of 1																					
Peak Hour for Entire Intersection Begins at 11:45																					
11:45	0	0	0	0	0	0	11	0	0	11	11	0	3	0	14	0	14	0	0	14	39
12:00	1	0	1	0	2	0	18	1	0	19	17	1	3	0	21	0	10	0	0	10	52
12:15	1	0	3	0	4	0	12	0	0	12	12	2	2	0	16	3	8	0	0	11	43
12:30	1	0	1	0	2	0	10	1	0	11	7	0	3	0	10	3	8	1	0	12	35
Total Volume	3	0	5	0	8	0	51	2	0	53	47	3	11	0	61	6	40	1	0	47	169
% App. Total	37.5	0	62.5	0		0	96.2	3.8	0		77	4.9	18	0		12.8	85.1	2.1	0		
PHF	.750	.000	.417	.000	.500	.000	.708	.500	.000	.697	.691	.375	.917	.000	.726	.500	.714	.250	.000	.839	.813





MINNESOTA DEPT OF TRANSPORTATION

TRAFFIC DATA COLLECTION - METRO

File Name : FILLMORE AVE @ LAFAYETTE RD EAST 2006
 Site Code : 00000000
 Start Date : 6/14/2006
 Page No : 4

Start Time	E LAFAYETTE RD Southbound					FILLMORE AVE Westbound					E LAFAYETTE RD Northbound					FILLMORE AVE Eastbound					Int. Total
	LEFT	THRU	RIGHT	Peds	App. Total	LEFT	THRU	RIGHT	Peds	App. Total	LEFT	THRU	RIGHT	Peds	App. Total	LEFT	THRU	RIGHT	Peds	App. Total	
Peak Hour Analysis From 14:00 to 17:45 - Peak 1 of 1																					
Peak Hour for Entire Intersection Begins at 16:15																					
16:15	2	0	1	0	3	0	12	0	0	12	8	0	3	0	11	1	6	0	0	7	33
16:30	0	0	2	0	2	0	15	2	0	17	15	1	2	0	18	0	12	0	0	12	49
16:45	2	0	8	0	10	0	5	0	0	5	22	0	3	0	25	0	6	0	0	6	46
17:00	4	0	3	0	7	0	14	0	0	14	18	0	4	0	22	0	7	0	0	7	50
Total Volume	8	0	14	0	22	0	46	2	0	48	63	1	12	0	76	1	31	0	0	32	178
% App. Total	36.4	0	63.6	0		0	95.8	4.2	0		82.9	1.3	15.8	0		3.1	96.9	0	0		
PHF	.500	.000	.438	.000	.550	.000	.767	.250	.000	.706	.716	.250	.750	.000	.760	.250	.646	.000	.000	.667	.890

