

Location: 162nd Street (CSAH 46) at I-35 Southbound Ramps  
 Count Date: 10/25/2022  
 Counted By: CountCloud



**TURNING MOVEMENT COUNT DATA**

**All Vehicles**

Start Time	I-35 SB Ramps				CSAH 46				N/A				CSAH 46				Int. Total
	Southbound				Westbound				Northbound				Eastbound				
	Left	Thru	Right	Peds	Left	Thru	Right	Peds	Left	Thru	Right	Peds	Left	Thru	Right	Peds	
6:00	40	0	7	0	0	28	10	0	0	0	0	0	2	56	0	0	143
6:15	47	0	9	0	0	39	23	0	0	0	0	0	4	64	0	0	186
6:30	46	0	7	0	0	70	28	0	0	0	0	0	6	79	0	0	236
6:45	88	0	16	0	0	88	31	0	0	0	0	0	10	69	0	0	302
7:00	77	0	14	0	0	72	31	0	0	0	0	0	3	86	0	0	283
7:15	88	0	23	0	0	82	23	0	0	0	0	0	1	96	0	0	313
7:30	102	0	16	0	0	90	35	0	0	0	0	0	12	140	0	0	395
7:45	101	0	26	0	0	96	36	0	0	0	0	0	12	121	0	0	392
8:00	94	0	36	0	0	84	30	0	0	0	0	0	4	95	0	0	343
8:15	87	0	29	0	0	104	29	0	0	0	0	0	4	93	0	0	346
8:30	91	0	25	0	0	75	33	0	0	0	0	0	8	111	0	0	343
8:45	88	0	19	0	0	71	36	0	0	0	0	0	11	95	0	0	320
9:00	105	0	30	0	0	70	40	0	0	0	0	0	8	77	0	0	330
9:15	88	0	33	0	0	65	26	0	0	0	0	0	8	84	0	0	304
9:30	104	0	26	0	0	62	22	0	0	0	0	0	4	96	0	0	314
9:45	101	0	25	0	0	62	25	0	0	0	0	0	6	73	0	0	292
10:00	86	0	11	0	0	49	27	0	0	0	0	0	4	58	0	0	235
10:15	73	0	30	0	0	56	28	0	0	0	0	0	13	69	0	0	269
10:30	91	0	23	0	0	71	28	0	0	0	0	0	6	77	0	0	296
10:45	104	0	22	0	0	48	26	0	0	0	0	0	2	57	0	0	259
11:00	98	0	24	0	0	61	30	0	0	0	0	0	0	53	0	0	266
11:15	94	0	32	0	0	60	26	0	0	0	0	0	5	75	0	0	292
11:30	123	0	34	0	0	76	49	0	0	0	0	0	5	76	0	0	363
11:45	95	0	21	0	0	65	28	0	0	0	0	0	9	80	0	0	298
12:00	115	0	24	0	0	56	26	0	0	0	0	0	6	81	0	0	308
12:15	114	0	35	0	0	67	30	0	0	0	0	0	9	95	0	0	350
12:30	123	0	16	0	0	61	35	0	0	0	0	0	3	66	0	0	304
12:45	130	0	30	0	0	58	43	0	0	0	0	0	4	92	0	0	357
13:00	123	0	29	0	0	55	36	0	0	0	0	0	4	86	0	0	333
13:15	118	0	24	0	0	66	39	0	0	0	0	0	3	78	0	0	328
13:30	128	0	35	0	0	41	20	0	0	0	0	0	5	84	0	0	313
13:45	108	0	30	0	0	51	37	0	0	0	0	0	5	78	0	0	309
14:00	140	0	43	0	0	46	33	0	0	0	0	0	5	85	0	0	352
14:15	147	0	38	0	0	78	44	0	0	0	0	0	11	86	0	0	404
14:30	173	0	50	0	0	73	41	0	0	0	0	0	10	101	0	0	448
14:45	195	0	55	0	0	79	50	0	0	0	0	0	4	98	0	0	481
15:00	202	0	56	0	0	66	51	0	0	0	0	0	14	108	0	0	497
15:15	204	0	48	0	0	85	47	0	0	0	0	0	3	128	0	0	515
15:30	210	0	51	0	0	85	51	0	0	0	0	0	8	132	0	0	537
15:45	274	0	51	0	0	78	63	0	0	0	0	0	6	124	0	0	596
16:00	220	0	45	0	0	79	61	0	0	0	0	0	8	141	0	0	554
16:15	261	0	44	0	0	104	55	0	0	0	0	0	7	145	0	0	616
16:30	230	0	47	0	0	96	59	0	0	0	0	0	6	158	0	0	596
16:45	264	0	55	0	0	95	53	0	0	0	0	0	7	125	0	0	599
17:00	286	0	40	0	0	103	62	0	0	0	0	0	5	182	0	0	678
17:15	251	0	57	0	0	94	56	0	0	0	0	0	11	168	0	0	637
17:30	245	0	43	1	0	84	58	0	0	0	0	0	7	150	0	0	587
17:45	264	0	36	2	0	89	57	0	0	0	0	0	4	111	0	0	561
18:00	202	0	46	0	0	84	53	0	0	0	0	0	2	113	0	0	500
18:15	206	0	46	0	0	65	51	0	0	0	0	0	10	88	0	0	466
18:30	145	0	43	0	0	70	35	0	0	0	0	0	7	98	0	0	398
18:45	128	0	34	0	0	70	37	0	0	0	0	0	5	88	0	0	362
Total	7317	0	1689	3	0	3722	1983	0	0	0	0	0	326	5069	0	0	20106
Cars+	6906	0	1666	2	0	3614	1901	0	0	0	0	0	320	4993	0	0	19400
Trucks	411	0	23	1	0	108	82	0	0	0	0	0	6	76	0	0	706
% Trucks	5.6	0.0	1.4	33.3	0.0	2.9	4.1	0.0	0.0	0.0	0.0	0.0	1.8	1.5	0.0	0.0	
	4.8				3.3				0.0				1.5				3.5

Location: 162nd Street (CSAH 46) at I-35 Southbound Ramps  
 Count Date: 10/25/2022  
 Counted By: CountCloud



**TURNING MOVEMENT COUNT DATA**

**Trucks**

Start Time	I-35 SB Ramps				CSAH 46				N/A				CSAH 46				Int. Total
	Southbound				Westbound				Northbound				Eastbound				
	Left	Thru	Right	Bikes	Left	Thru	Right	Bikes	Left	Thru	Right	Bikes	Left	Thru	Right	Bikes	
6:00	8	0	2	0	0	4	0	0	0	0	0	0	0	1	0	0	15
6:15	10	0	0	0	0	4	0	0	0	0	0	0	0	2	0	0	16
6:30	8	0	0	0	0	2	1	0	0	0	0	0	0	2	0	0	13
6:45	20	0	0	0	0	1	1	0	0	0	0	0	0	2	0	0	24
7:00	17	0	0	0	0	1	1	0	0	0	0	0	0	1	0	0	20
7:15	9	0	0	0	0	0	1	0	0	0	0	0	0	1	0	0	11
7:30	11	0	0	0	0	2	0	0	0	0	0	0	0	1	0	0	14
7:45	6	0	1	0	0	3	3	0	0	0	0	0	0	1	0	0	14
8:00	11	0	1	0	0	3	3	0	0	0	0	0	0	2	0	0	20
8:15	10	0	1	0	0	6	3	0	0	0	0	0	0	4	0	0	24
8:30	15	0	0	0	0	4	2	0	0	0	0	0	0	7	0	0	28
8:45	6	0	2	0	0	4	2	0	0	0	0	0	0	1	0	0	15
9:00	19	0	1	0	0	1	1	0	0	0	0	0	0	0	0	0	22
9:15	8	0	2	0	0	1	1	0	0	0	0	0	1	5	0	0	18
9:30	7	0	0	0	0	3	1	0	0	0	0	0	0	2	0	0	13
9:45	9	0	0	0	0	2	0	0	0	0	0	0	0	3	0	0	14
10:00	10	0	0	0	0	0	1	0	0	0	0	0	0	0	0	0	11
10:15	8	0	2	0	0	4	3	0	0	0	0	0	1	1	0	0	19
10:30	12	0	1	0	0	6	2	0	0	0	0	0	0	3	0	0	24
10:45	14	0	0	0	0	1	1	0	0	0	0	0	0	0	0	0	16
11:00	12	0	0	0	0	1	2	0	0	0	0	0	0	0	0	0	15
11:15	11	0	0	0	0	1	0	0	0	0	0	0	0	1	0	0	13
11:30	11	0	0	0	0	3	3	0	0	0	0	0	0	0	0	0	17
11:45	10	0	1	0	0	1	1	0	0	0	0	0	0	2	0	0	15
12:00	13	0	0	0	0	1	1	0	0	0	0	0	0	1	0	0	16
12:15	13	0	2	0	0	5	1	0	0	0	0	0	0	2	0	0	23
12:30	10	0	0	0	0	6	0	0	0	0	0	0	1	2	0	0	19
12:45	5	0	0	0	0	1	2	0	0	0	0	0	0	2	0	0	10
13:00	10	0	1	0	0	1	0	0	0	0	0	0	0	1	0	0	13
13:15	9	0	1	0	0	7	1	0	0	0	0	0	0	0	0	0	18
13:30	11	0	0	0	0	3	1	0	0	0	0	0	0	0	0	0	15
13:45	9	0	0	0	0	2	0	0	0	0	0	0	1	0	0	0	12
14:00	7	0	1	0	0	3	4	0	0	0	0	0	0	2	0	0	17
14:15	7	0	0	0	0	4	0	0	0	0	0	0	0	1	0	0	12
14:30	12	0	0	0	0	0	3	0	0	0	0	0	0	0	0	0	15
14:45	7	0	0	0	0	0	3	0	0	0	0	0	0	5	0	0	15
15:00	11	0	0	0	0	1	2	0	0	0	0	0	0	3	0	0	17
15:15	5	0	1	0	0	3	5	0	0	0	0	0	1	0	0	0	15
15:30	5	0	0	0	0	4	3	0	0	0	0	0	0	4	0	0	16
15:45	2	0	0	0	0	1	7	0	0	0	0	0	0	0	0	0	10
16:00	1	0	1	0	0	0	2	0	0	0	0	0	0	0	0	0	4
16:15	1	0	1	0	0	0	1	0	0	0	0	0	0	2	0	0	5
16:30	0	0	0	0	0	1	1	0	0	0	0	0	0	1	0	0	3
16:45	2	0	0	0	0	0	2	0	0	0	0	0	0	1	0	0	5
17:00	2	0	1	0	0	0	1	0	0	0	0	0	0	1	0	0	5
17:15	2	0	0	0	0	3	0	0	0	0	0	0	1	1	0	0	7
17:30	1	0	0	1	0	0	1	0	0	0	0	0	0	2	0	0	4
17:45	0	0	0	0	0	0	4	0	0	0	0	0	0	0	0	0	4
18:00	2	0	0	0	0	3	3	0	0	0	0	0	0	0	0	0	8
18:15	1	0	0	0	0	0	1	0	0	0	0	0	0	1	0	0	3
18:30	1	0	0	0	0	1	0	0	0	0	0	0	0	1	0	0	3
18:45	0	0	0	0	0	0	0	0	0	0	0	0	0	1	0	0	1
Total	411	0	23	1	0	108	82	0	0	0	0	0	6	76	0	0	706

Location: 162nd Street (CSAH 46) at I-35 Southbound Ramps  
 Count Date: 10/25/2022  
 Counted By: CountCloud



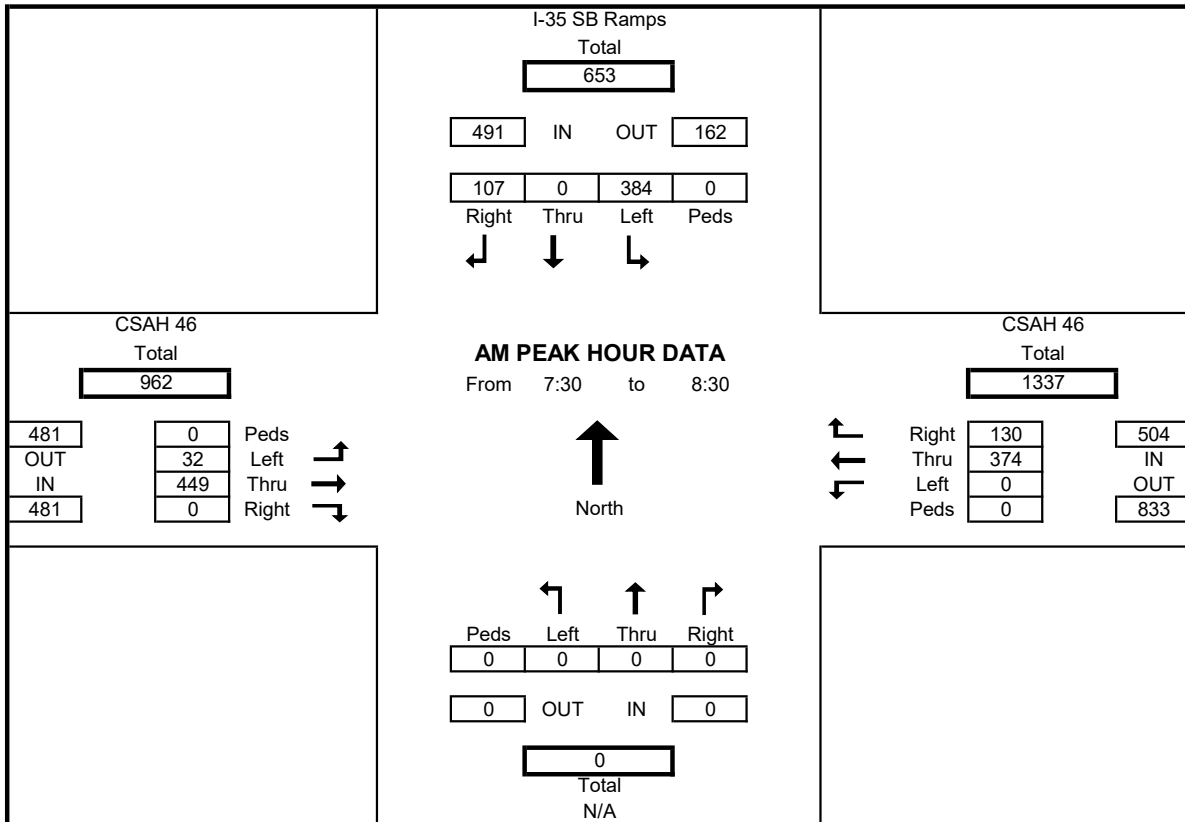
### AM PEAK HOUR TURNING MOVEMENT DATA

All Vehicles

Start Time	I-35 SB Ramps				CSAH 46				N/A				CSAH 46				Int. Total
	Southbound				Westbound				Northbound				Eastbound				
	Left	Thru	Right	Peds	Left	Thru	Right	Peds	Left	Thru	Right	Peds	Left	Thru	Right	Peds	
7:30	102	0	16	0	0	90	35	0	0	0	0	0	12	140	0	0	395
7:45	101	0	26	0	0	96	36	0	0	0	0	0	12	121	0	0	392
8:00	94	0	36	0	0	84	30	0	0	0	0	0	4	95	0	0	343
8:15	87	0	29	0	0	104	29	0	0	0	0	0	4	93	0	0	346
Total	384	0	107	0	0	374	130	0	0	0	0	0	32	449	0	0	1476
% App. Total	78.2	0.0	21.8		0.0	74.2	25.8		0.0	0.0	0.0		6.7	93.3	0.0		
PHF	0.941	0.000	0.743	0.000	0.000	0.899	0.903	0.000	0.000	0.000	0.000	0.000	0.667	0.802	0.000	0.000	0.934

% Trucks	I-35 SB Ramps	CSAH 46	N/A	CSAH 46
	9.9	0.0	2.8	0.0
	0.0	8.4	0.0	0.0
			4.6	0.0
				1.7
				4.9



Location: 162nd Street (CSAH 46) at I-35 Southbound Ramps  
 Count Date: 10/25/2022  
 Counted By: CountCloud



### PM PEAK HOUR TURNING MOVEMENT DATA

All Vehicles

Start Time	I-35 SB Ramps				CSAH 46				N/A				CSAH 46				Int. Total
	Southbound				Westbound				Northbound				Eastbound				
	Left	Thru	Right	Peds	Left	Thru	Right	Peds	Left	Thru	Right	Peds	Left	Thru	Right	Peds	
16:30	230	0	47	0	0	96	59	0	0	0	0	0	6	158	0	0	596
16:45	264	0	55	0	0	95	53	0	0	0	0	0	7	125	0	0	599
17:00	286	0	40	0	0	103	62	0	0	0	0	0	5	182	0	0	678
17:15	251	0	57	0	0	94	56	0	0	0	0	0	11	168	0	0	637
Total	1031	0	199	0	0	388	230	0	0	0	0	0	29	633	0	0	2510
% App. Total	83.8	0.0	16.2		0.0	62.8	37.2		0.0	0.0	0.0		4.4	95.6	0.0		
PHF	0.901	0.000	0.873	0.000	0.000	0.942	0.927	0.000	0.000	0.000	0.000	0.000	0.659	0.870	0.000	0.000	0.926

% Trucks	I-35 SB Ramps				CSAH 46				N/A				CSAH 46				
	Left	Thru	Right	Peds	Left	Thru	Right	Peds	Left	Thru	Right	Peds	Left	Thru	Right	Peds	
	0.6	0.0	0.5	0.0	0.0	1.0	1.7	0.0	0.0	0.0	0.0	0.0	3.4	0.6	0.0	0.0	
	0.6				1.3				0.0				0.8				0.8

