



MINNESOTA DEPT OF TRANSPORTATION

TRAFFIC DATA COLLECTION - METRO

Location: I-35 AT CRYSTAL LAKE RD..
 Ref.Pt.: 087+00.823 WEST RAMP
 JAMAR# 634 DR
 TURN MOVEMENT COUNT

File Name : I 35 AT CRYSTAL LAKE RD WEST RAMP 2007
 Site Code : 00000000
 Start Date : 6/28/2007
 Page No : 1

Groups Printed- Unshifted

Start Time	I 35 Southbound				CRYSTAL LAKE RD WEST Westbound				I 35 Northbound				CRYSTAL LAKE RD WEST Eastbound				Int. Total
	Left	Thru	Right	Peds	Left	Thru	Right	Peds	Left	Thru	Right	Peds	Left	Thru	Right	Peds	
06:00	0	0	0	0	4	18	0	0	0	0	0	0	0	8	8	0	38
06:15	0	0	0	0	1	38	0	0	0	0	0	0	0	11	10	0	60
06:30	0	0	0	0	6	41	0	0	0	0	0	0	0	12	23	0	82
06:45	0	0	0	0	7	74	0	0	0	0	0	0	0	15	17	0	113
Total	0	0	0	0	18	171	0	0	0	0	0	0	0	46	58	0	293
07:00	0	0	0	0	4	61	0	0	0	0	0	0	0	16	13	0	94
07:15	0	0	0	0	3	91	0	0	0	0	0	0	0	21	23	0	138
07:30	0	0	0	0	8	85	0	0	0	0	0	0	0	22	19	0	134
07:45	0	0	0	0	6	109	0	0	0	0	0	0	0	29	31	0	175
Total	0	0	0	0	21	346	0	0	0	0	0	0	0	88	86	0	541
08:00	0	0	0	0	5	69	0	0	0	0	0	0	0	22	16	0	112
08:15	0	0	0	0	5	96	0	0	0	0	0	0	0	19	33	0	153
08:30	0	0	0	0	3	71	0	0	0	0	0	0	0	18	39	0	131
08:45	0	0	0	0	6	90	0	0	0	0	0	0	0	18	32	0	146
Total	0	0	0	0	19	326	0	0	0	0	0	0	0	77	120	0	542
*** BREAK ***																	
15:00	0	0	0	0	9	83	0	0	0	0	0	0	0	37	91	0	220
15:15	0	0	0	0	8	99	0	0	0	0	0	0	0	30	101	0	238
15:30	0	0	0	0	5	93	0	0	0	0	0	0	0	44	82	0	224
15:45	0	0	0	0	8	98	0	0	0	0	0	0	0	50	106	0	262
Total	0	0	0	0	30	373	0	0	0	0	0	0	0	161	380	0	944
16:00	0	0	0	0	9	88	0	0	0	0	0	0	0	38	97	0	232
16:15	0	0	0	0	17	96	0	0	0	0	0	0	0	38	101	0	252
16:30	0	0	0	0	11	104	0	0	0	0	0	0	0	49	113	0	277
16:45	0	0	0	0	12	118	0	0	0	0	0	0	0	54	97	0	281
Total	0	0	0	0	49	406	0	0	0	0	0	0	0	179	408	0	1042
17:00	0	0	0	0	11	123	0	0	0	0	0	0	0	71	101	0	306
17:15	0	0	0	0	17	129	0	0	0	0	0	0	0	73	115	0	334
17:30	0	0	0	0	10	123	0	0	0	0	0	0	0	67	105	0	305
17:45	0	0	0	0	11	116	0	0	0	0	0	0	0	61	124	0	312
Total	0	0	0	0	49	491	0	0	0	0	0	0	0	272	445	0	1257
Grand Total	0	0	0	0	186	2113	0	0	0	0	0	0	0	823	1497	0	4619
Approch %	0	0	0	0	8.1	91.9	0	0	0	0	0	0	0	35.5	64.5	0	
Total %	0	0	0	0	4	45.7	0	0	0	0	0	0	0	17.8	32.4	0	



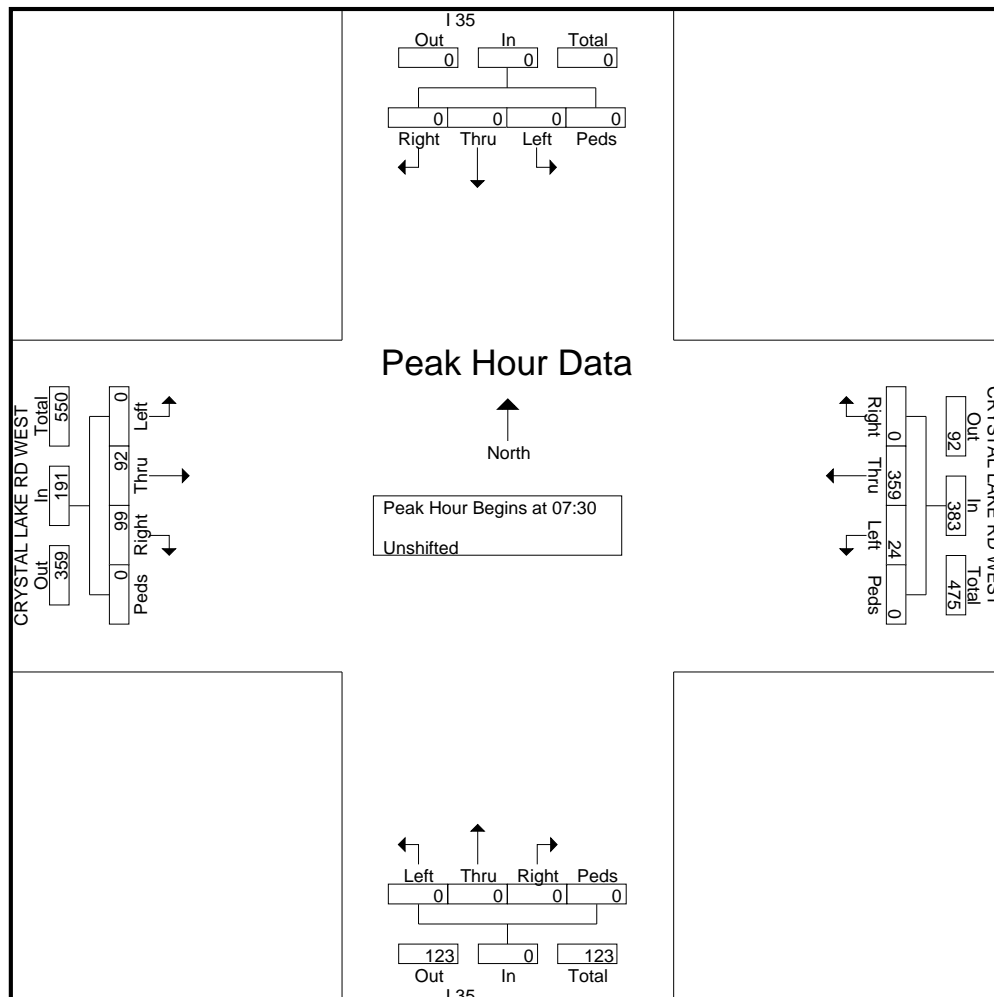
MINNESOTA DEPT OF TRANSPORTATION

TRAFFIC DATA COLLECTION - METRO

Location: I-35 AT CRYSTAL LAKE RD..
 Ref.Pt.: 087+00.823 WEST RAMP
 JAMAR# 634 DR
 TURN MOVEMENT COUNT

File Name : I 35 AT CRYSTAL LAKE RD WEST RAMP 2007
 Site Code : 00000000
 Start Date : 6/28/2007
 Page No : 2

Start Time	I 35 Southbound					CRYSTAL LAKE RD WEST Westbound					I 35 Northbound					CRYSTAL LAKE RD WEST Eastbound					Int. Total
	Left	Thru	Right	Peds	App. Total	Left	Thru	Right	Peds	App. Total	Left	Thru	Right	Peds	App. Total	Left	Thru	Right	Peds	App. Total	
Peak Hour Analysis From 06:00 to 08:45 - Peak 1 of 1																					
Peak Hour for Entire Intersection Begins at 07:30																					
07:30	0	0	0	0	0	8	85	0	0	93	0	0	0	0	0	0	22	19	0	41	134
07:45	0	0	0	0	0	6	109	0	0	115	0	0	0	0	0	0	29	31	0	60	175
08:00	0	0	0	0	0	5	69	0	0	74	0	0	0	0	0	0	22	16	0	38	112
08:15	0	0	0	0	0	5	96	0	0	101	0	0	0	0	0	0	19	33	0	52	153
Total Volume	0	0	0	0	0	24	359	0	0	383	0	0	0	0	0	0	92	99	0	191	574
% App. Total	0	0	0	0	0	6.3	93.7	0	0		0	0	0	0	0	0	48.2	51.8	0		
PHF	.000	.000	.000	.000	.000	.750	.823	.000	.000	.833	.000	.000	.000	.000	.000	.000	.793	.750	.000	.796	.820





MINNESOTA DEPT OF TRANSPORTATION

TRAFFIC DATA COLLECTION - METRO

Location: I-35 AT CRYSTAL LAKE RD..
 Ref.Pt.: 087+00.823 WEST RAMP
 JAMAR# 634 DR
 TURN MOVEMENT COUNT

File Name : I 35 AT CRYSTAL LAKE RD WEST RAMP 2007
 Site Code : 00000000
 Start Date : 6/28/2007
 Page No : 3

Start Time	I 35 Southbound					CRYSTAL LAKE RD WEST Westbound					I 35 Northbound					CRYSTAL LAKE RD WEST Eastbound					Int. Total
	Left	Thru	Right	Peds	App. Total	Left	Thru	Right	Peds	App. Total	Left	Thru	Right	Peds	App. Total	Left	Thru	Right	Peds	App. Total	
Peak Hour Analysis From 15:00 to 17:45 - Peak 1 of 1																					
Peak Hour for Entire Intersection Begins at 17:00																					
17:00	0	0	0	0	0	11	123	0	0	134	0	0	0	0	0	0	71	101	0	172	306
17:15	0	0	0	0	0	17	129	0	0	146	0	0	0	0	0	0	73	115	0	188	334
17:30	0	0	0	0	0	10	123	0	0	133	0	0	0	0	0	0	67	105	0	172	305
17:45	0	0	0	0	0	11	116	0	0	127	0	0	0	0	0	0	61	124	0	185	312
Total Volume	0	0	0	0	0	49	491	0	0	540	0	0	0	0	0	0	272	445	0	717	1257
% App. Total	0	0	0	0	0	9.1	90.9	0	0		0	0	0	0	0	0	37.9	62.1	0		
PHF	.000	.000	.000	.000	.000	.721	.952	.000	.000	.925	.000	.000	.000	.000	.000	.000	.932	.897	.000	.953	.941

