



MINNESOTA DEPT OF TRANSPORTATION

TRAFFIC DATA COLLECTION - METRO

Location: I-35 W AT 106TH ST. W. EAST File Name : I 35 W AT 106TH ST EAST RAMPS 2008 AM
 Ref.Pt.: 005.223 AM Site Code : 00000000
 JAMAR# 632 DR Start Date : 3/6/2008
 TURN MOVEMENT COUNT Page No : 1

Groups Printed- Unshifted

Start Time	RAMP TO I 35W NB Southbound				106TH ST W Westbound				RAMP FROM I 35W NB Northbound				106TH ST W Eastbound				Int. Total
	Left	Thru	Right	Peds	Left	Thru	Right	Peds	Left	Thru	Right	Peds	Left	Thru	Right	Peds	
06:00	0	0	0	0	0	11	4	0	40	0	4	0	29	12	0	0	100
06:15	0	0	0	0	0	10	9	0	39	1	14	0	42	12	0	0	127
06:30	0	0	0	0	0	23	13	0	63	0	14	0	41	16	0	0	170
06:45	0	0	0	0	0	31	7	0	82	2	21	0	36	26	0	0	205
Total	0	0	0	0	0	75	33	0	224	3	53	0	148	66	0	0	602
07:00	0	0	0	0	0	38	11	0	85	0	23	0	57	38	0	0	252
07:15	0	0	0	0	0	63	13	0	96	1	28	0	74	57	0	0	332
07:30	0	0	0	0	0	83	13	0	74	3	27	0	56	98	0	0	354
07:45	0	0	0	0	0	50	13	0	93	4	26	0	57	61	0	0	304
Total	0	0	0	0	0	234	50	0	348	8	104	0	244	254	0	0	1242
08:00	0	0	0	0	0	46	13	0	70	2	17	0	38	37	0	0	223
08:15	0	0	0	0	0	47	9	0	75	1	15	0	47	47	0	0	241
08:30	0	0	0	0	0	40	14	0	59	0	18	0	59	39	0	0	229
08:45	0	0	0	0	0	31	6	0	63	3	25	0	46	29	0	0	203
Total	0	0	0	0	0	164	42	0	267	6	75	0	190	152	0	0	896
Grand Total	0	0	0	0	0	473	125	0	839	17	232	0	582	472	0	0	2740
Apprch %	0	0	0	0	0	79.1	20.9	0	77.1	1.6	21.3	0	55.2	44.8	0	0	
Total %	0	0	0	0	0	17.3	4.6	0	30.6	0.6	8.5	0	21.2	17.2	0	0	



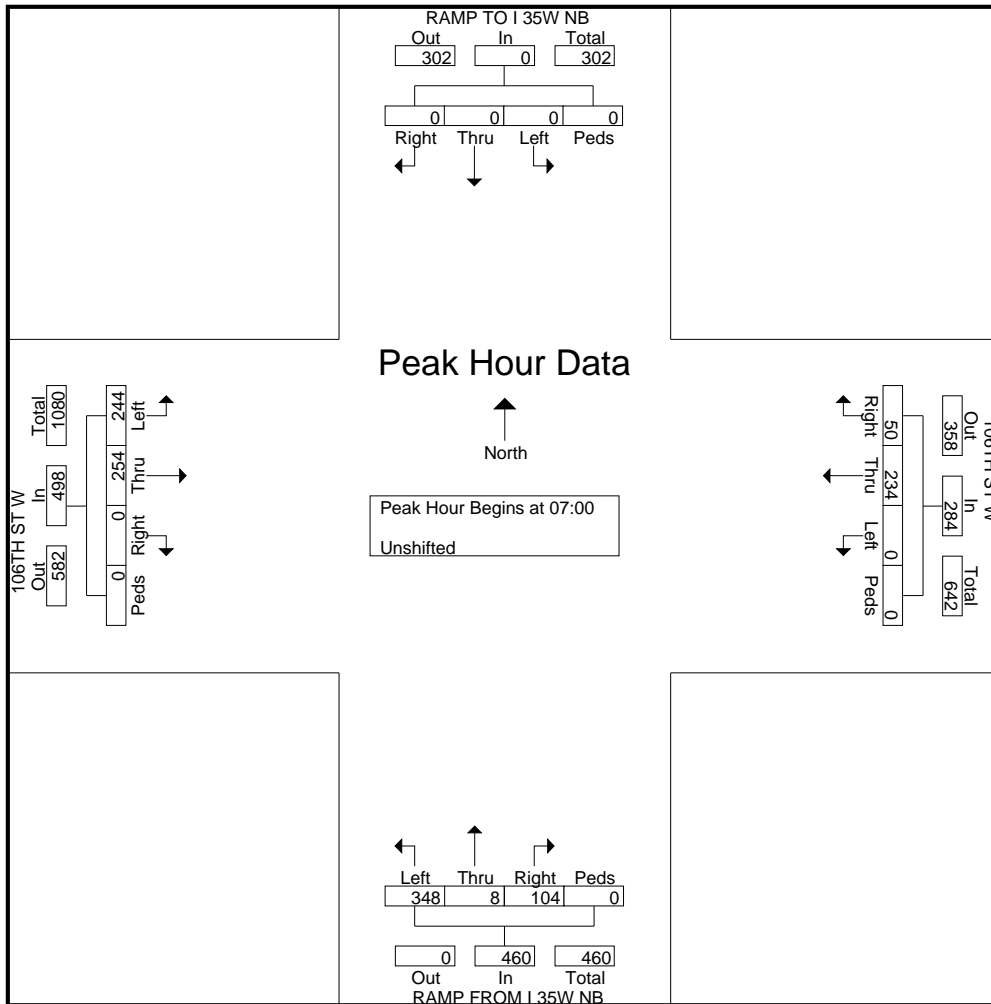
MINNESOTA DEPT OF TRANSPORTATION

TRAFFIC DATA COLLECTION - METRO

Location: I-35 W AT 106TH ST. W. EAST
 Ref.Pt.: 005.223 AM
 JAMAR# 632 DR
 TURN MOVEMENT COUNT

File Name : I 35 W AT 106TH ST EAST RAMPS 2008 AM
 Site Code : 00000000
 Start Date : 3/6/2008
 Page No : 2

Start Time	RAMP TO I 35W NB Southbound					106TH ST W Westbound					RAMP FROM I 35W NB Northbound					106TH ST W Eastbound					Int. Total
	Left	Thru	Right	Peds	App. Total	Left	Thru	Right	Peds	App. Total	Left	Thru	Right	Peds	App. Total	Left	Thru	Right	Peds	App. Total	
Peak Hour Analysis From 06:00 to 08:45 - Peak 1 of 1																					
Peak Hour for Entire Intersection Begins at 07:00																					
07:00	0	0	0	0	0	0	38	11	0	49	85	0	23	0	108	57	38	0	0	95	252
07:15	0	0	0	0	0	0	63	13	0	76	96	1	28	0	125	74	57	0	0	131	332
07:30	0	0	0	0	0	0	83	13	0	96	74	3	27	0	104	56	98	0	0	154	354
07:45	0	0	0	0	0	0	50	13	0	63	93	4	26	0	123	57	61	0	0	118	304
Total Volume	0	0	0	0	0	0	234	50	0	284	348	8	104	0	460	244	254	0	0	498	1242
% App. Total																					
PHF	.000	.000	.000	.000	.000	.000	.705	.962	.000	.740	.906	.500	.929	.000	.920	.824	.648	.000	.000	.808	.877





MINNESOTA DEPT OF TRANSPORTATION

TRAFFIC DATA COLLECTION - METRO

I-35W at 106th St W., East Ramps
 Ref.Pt.: 005.223
 JAMAR # 632 DR
 TURN MOVEMENT COUNT

File Name : I-35W at 106th St EAST RAMPS 2008 pm
 Site Code : 00000000
 Start Date : 3/4/2008
 Page No : 1

Groups Printed- Cars & Trucks

Start Time	ramp to NB I-35W / frontage rd Southbound				106th ST W Westbound				ramp from NB I-35W Northbound				106th ST W Eastbound				Int. Total
	Left	Thru	Right	Peds	Left	Thru	Right	Peds	Left	Thru	Right	Peds	Left	Thru	Right	Peds	
15:00	0	0	0	0	0	59	16	0	53	1	25	0	41	60	0	0	255
15:15	0	0	0	0	0	65	8	0	41	1	22	0	38	30	0	0	205
15:30	0	0	0	0	0	78	22	0	60	3	20	0	33	37	0	0	253
15:45	0	0	0	0	0	112	9	0	44	1	30	0	23	40	0	0	259
Total	0	0	0	0	0	314	55	0	198	6	97	0	135	167	0	0	972
*** BREAK ***																	
16:15	0	0	0	0	0	95	15	0	49	0	28	0	29	44	0	0	260
16:30	0	0	0	0	0	108	15	0	54	2	20	0	34	43	0	0	276
16:45	0	0	0	0	0	105	15	0	67	2	31	0	26	43	0	0	289
Total	0	0	0	0	0	308	45	0	170	4	79	0	89	130	0	0	825
17:00	0	0	0	0	0	144	19	0	62	1	20	0	28	48	0	0	322
17:15	0	0	0	0	0	144	21	0	67	1	29	0	23	54	0	0	339
17:30	0	0	0	0	0	121	19	0	91	1	12	0	36	41	0	0	321
17:45	0	0	0	0	0	96	16	0	51	1	23	0	21	50	0	0	258
Total	0	0	0	0	0	505	75	0	271	4	84	0	108	193	0	0	1240
18:00	0	0	0	0	0	96	15	0	48	1	24	0	23	42	0	0	249
Grand Total	0	0	0	0	0	1223	190	0	687	15	284	0	355	532	0	0	3286
Apprch %	0	0	0	0	0	86.6	13.4	0	69.7	1.5	28.8	0	40	60	0	0	
Total %	0	0	0	0	0	37.2	5.8	0	20.9	0.5	8.6	0	10.8	16.2	0	0	



MINNESOTA DEPT OF TRANSPORTATION

TRAFFIC DATA COLLECTION - METRO

I-35W at 106th St W., East Ramps
 Ref.Pt.: 005.223
 JAMAR # 632 DR
 TURN MOVEMENT COUNT

File Name : I-35W at 106th St EAST RAMPS 2008 pm
 Site Code : 00000000
 Start Date : 3/4/2008
 Page No : 2

Start Time	ramp to NB I-35W / frontage rd Southbound					106th ST W Westbound					ramp from NB I-35W Northbound					106th ST W Eastbound					Int. Total
	Left	Thru	Right	Peds	App. Total	Left	Thru	Right	Peds	App. Total	Left	Thru	Right	Peds	App. Total	Left	Thru	Right	Peds	App. Total	
Peak Hour Analysis From 15:00 to 18:00 - Peak 1 of 1																					
Peak Hour for Entire Intersection Begins at 16:45																					
16:45	0	0	0	0	0	0	105	15	0	120	67	2	31	0	100	26	43	0	0	69	289
17:00	0	0	0	0	0	0	144	19	0	163	62	1	20	0	83	28	48	0	0	76	322
17:15	0	0	0	0	0	0	144	21	0	165	67	1	29	0	97	23	54	0	0	77	339
17:30	0	0	0	0	0	0	121	19	0	140	91	1	12	0	104	36	41	0	0	77	321
Total Volume	0	0	0	0	0	0	514	74	0	588	287	5	92	0	384	113	186	0	0	299	1271
% App. Total																					
PHF	.000	.000	.000	.000	.000	.000	.892	.881	.000	.891	.788	.625	.742	.000	.923	.785	.861	.000	.000	.971	.937

