



MINNESOTA DEPT OF TRANSPORTATION

TRAFFIC DATA COLLECTION - METRO

I-35W AT W 94th ST., WEST RAMPS
 REF.PT.: 006.738
 JAMAR # T-2582 CE
 TURN MOVEMENT COUNT

File Name : I-35W AT W 94TH ST west ramps 2007
 Site Code : 00000000
 Start Date : 6/21/2007
 Page No : 1

Groups Printed- Cars & Trucks

Start Time	FRT RD / RAMP FROM I-35W SB Southbound				W 94th ST. Westbound				RAMP TO I-35W SB Northbound				W 94th ST. Eastbound				Int. Total
	Left	Thru	Right	Peds	Left	Thru	Right	Peds	Left	Thru	Right	Peds	Left	Thru	Right	Peds	
06:00	25	9	29	0	13	35	0	0	0	0	0	1	0	40	11	0	163
06:15	22	0	45	1	5	48	0	0	0	0	0	0	0	28	6	0	155
06:30	35	0	54	0	3	58	0	0	0	0	0	0	0	41	7	0	198
06:45	36	0	69	0	3	72	0	0	0	0	0	0	0	43	3	0	226
Total	118	9	197	1	24	213	0	0	0	0	0	1	0	152	27	0	742
07:00	42	1	66	0	6	66	0	0	0	0	0	0	0	52	1	0	234
07:15	38	2	77	0	9	86	0	0	0	0	0	0	0	56	9	0	277
07:30	31	0	71	0	7	94	0	0	0	0	0	1	0	58	14	0	276
07:45	31	2	95	0	5	126	0	0	0	0	0	1	0	67	9	0	336
Total	142	5	309	0	27	372	0	0	0	0	0	2	0	233	33	0	1123
08:00	32	4	74	0	16	90	0	0	0	0	0	0	0	59	10	0	285
08:15	26	0	65	0	13	60	0	0	0	0	0	0	0	64	9	0	237
08:30	29	0	49	0	7	77	0	0	0	0	0	0	0	44	8	0	214
08:45	51	0	48	0	15	55	0	0	0	0	0	0	0	66	10	0	245
Total	138	4	236	0	51	282	0	0	0	0	0	0	0	233	37	0	981
*** BREAK ***																	
15:00	48	7	28	0	22	44	0	0	0	0	0	1	0	101	33	0	284
15:15	47	10	25	0	21	43	0	0	0	0	0	0	0	103	14	2	265
15:30	41	6	32	1	21	30	0	0	0	0	0	0	0	147	29	0	307
15:45	43	23	52	0	8	58	0	0	0	0	0	0	0	96	26	1	307
Total	179	46	137	1	72	175	0	0	0	0	0	1	0	447	102	3	1163
16:00	56	24	39	0	34	54	0	0	0	0	0	0	0	156	49	1	413
16:15	42	35	43	0	20	43	0	0	0	0	0	0	0	115	43	2	343
16:30	19	33	30	0	23	54	0	0	0	0	0	0	0	109	41	0	309
16:45	43	49	30	0	27	71	0	0	0	0	0	0	0	151	48	0	419
Total	160	141	142	0	104	222	0	0	0	0	0	0	0	531	181	3	1484
17:00	45	54	35	0	28	60	0	0	0	0	0	0	0	161	65	0	448
17:15	47	42	33	0	14	67	0	0	0	0	0	0	0	122	54	0	379
17:30	54	30	35	0	11	45	0	0	0	0	0	0	0	117	28	0	320
17:45	52	20	40	1	16	55	0	0	0	0	0	0	0	99	48	0	331
Total	198	146	143	1	69	227	0	0	0	0	0	0	0	499	195	0	1478
Grand Total	935	351	1164	3	347	1491	0	0	0	0	0	4	0	2095	575	6	6971
Apprch %	38.1	14.3	47.5	0.1	18.9	81.1	0	0	0	0	0	100	0	78.3	21.5	0.2	
Total %	13.4	5	16.7	0	5	21.4	0	0	0	0	0	0.1	0	30.1	8.2	0.1	



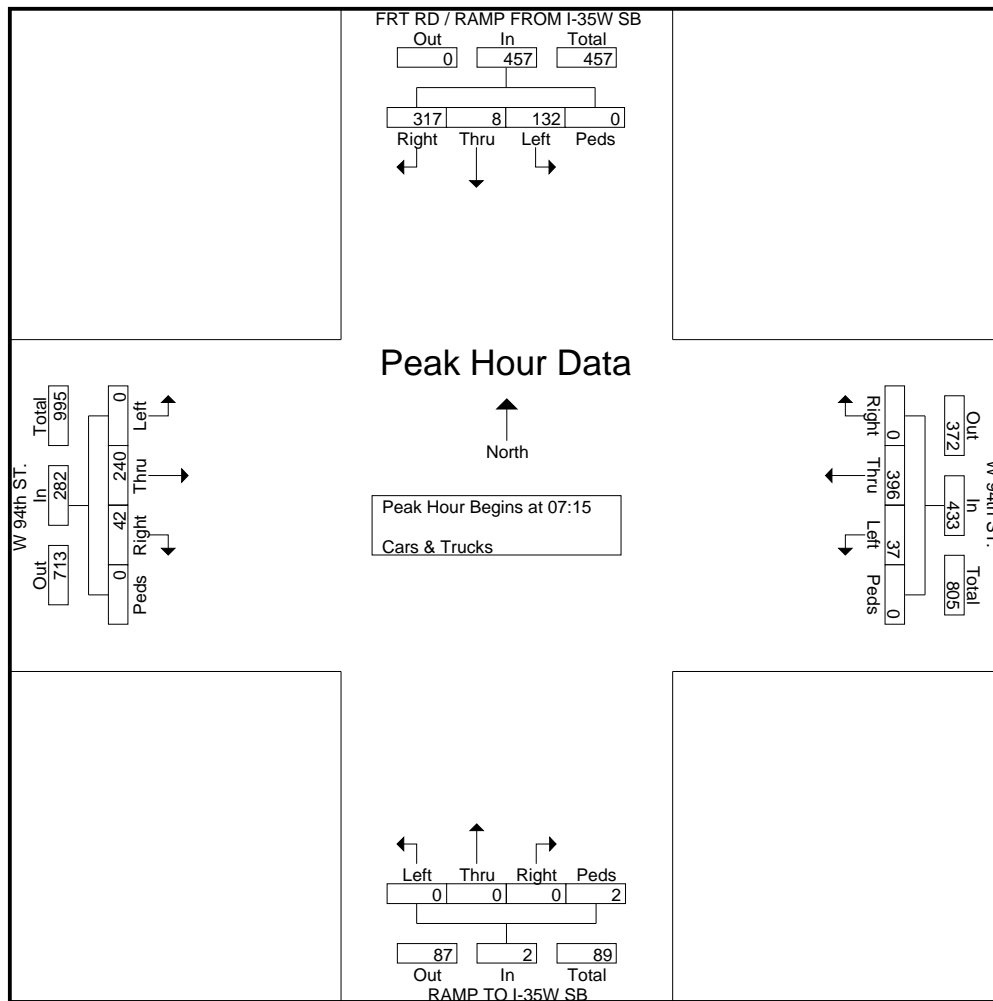
MINNESOTA DEPT OF TRANSPORTATION

TRAFFIC DATA COLLECTION - METRO

I-35W AT W 94th ST., WEST RAMPS
 REF.PT.: 006.738
 JAMAR # T-2582 CE
 TURN MOVEMENT COUNT

File Name : I-35W AT W 94TH ST west ramps 2007
 Site Code : 00000000
 Start Date : 6/21/2007
 Page No : 2

Start Time	FRT RD / RAMP FROM I-35W SB Southbound					W 94th ST. Westbound					RAMP TO I-35W SB Northbound					W 94th ST. Eastbound					Int. Total
	Left	Thru	Right	Peds	App. Total	Left	Thru	Right	Peds	App. Total	Left	Thru	Right	Peds	App. Total	Left	Thru	Right	Peds	App. Total	
Peak Hour Analysis From 06:00 to 08:45 - Peak 1 of 1																					
Peak Hour for Entire Intersection Begins at 07:15																					
07:15	38	2	77	0	117	9	86	0	0	95	0	0	0	0	0	0	56	9	0	65	277
07:30	31	0	71	0	102	7	94	0	0	101	0	0	0	1	1	0	58	14	0	72	276
07:45	31	2	95	0	128	5	126	0	0	131	0	0	0	1	1	0	67	9	0	76	336
08:00	32	4	74	0	110	16	90	0	0	106	0	0	0	0	0	0	59	10	0	69	285
Total Volume	132	8	317	0	457	37	396	0	0	433	0	0	0	2	2	0	240	42	0	282	1174
% App. Total																					
PHF	.868	.500	.834	.000	.893	.578	.786	.000	.000	.826	.000	.000	.000	.500	.500	.000	.896	.750	.000	.928	.874





MINNESOTA DEPT OF TRANSPORTATION

TRAFFIC DATA COLLECTION - METRO

I-35W AT W 94th ST., WEST RAMPS
 REF.PT.: 006.738
 JAMAR # T-2582 CE
 TURN MOVEMENT COUNT

File Name : I-35W AT W 94TH ST west ramps 2007
 Site Code : 00000000
 Start Date : 6/21/2007
 Page No : 3

Start Time	FRT RD / RAMP FROM I-35W SB Southbound					W 94th ST. Westbound					RAMP TO I-35W SB Northbound					W 94th ST. Eastbound					Int. Total
	Left	Thru	Right	Peds	App. Total	Left	Thru	Right	Peds	App. Total	Left	Thru	Right	Peds	App. Total	Left	Thru	Right	Peds	App. Total	
Peak Hour Analysis From 15:00 to 17:45 - Peak 1 of 1																					
Peak Hour for Entire Intersection Begins at 16:45																					
16:45	43	49	30	0	122	27	71	0	0	98	0	0	0	0	0	0	151	48	0	199	419
17:00	45	54	35	0	134	28	60	0	0	88	0	0	0	0	0	0	161	65	0	226	448
17:15	47	42	33	0	122	14	67	0	0	81	0	0	0	0	0	0	122	54	0	176	379
17:30	54	30	35	0	119	11	45	0	0	56	0	0	0	0	0	0	117	28	0	145	320
Total Volume	189	175	133	0	497	80	243	0	0	323	0	0	0	0	0	0	551	195	0	746	1566
% App. Total																					
PHF	.875	.810	.950	.000	.927	.714	.856	.000	.000	.824	.000	.000	.000	.000	.000	.000	.856	.750	.000	.825	.874

