



# MINNESOTA DEPT OF TRANSPORTATION

## TRAFFIC DATA COLLECTION - METRO

I-35W at W 90th St., East Ramps  
 REF.PT.: 006.738  
 JAMAR # 631 RE  
 TURN MOVEMENT COUNT

File Name : I-35W AT W 90TH ST East Ramps 2007  
 Site Code : 00000000  
 Start Date : 6/20/2007  
 Page No : 1

AM - I-35W NB congested due to accident until 7:30 AM  
 PM - I-35W SB congested due to accident

### Groups Printed- Cars & Trucks

Start Time	ramp to I-35W NB Southbound				W 90th St. Westbound				Frt Rd / ramp from I-35W NB Northbound				W 90th St. Eastbound				Int. Total
	Left	Thru	Right	Peds	Left	Thru	Right	Peds	Left	Thru	Right	Peds	Left	Thru	Right	Peds	
06:00	0	0	0	0	0	22	21	0	15	0	16	0	21	23	0	0	118
06:15	0	0	0	0	0	54	21	1	26	4	22	0	29	49	0	0	206
06:30	0	0	0	0	0	63	29	0	88	8	82	0	20	67	0	0	357
06:45	0	0	0	0	0	103	22	1	79	9	68	0	8	86	0	1	377
Total	0	0	0	0	0	242	93	2	208	21	188	0	78	225	0	1	1058
07:00	0	0	0	0	0	114	26	0	50	6	47	0	10	77	0	1	331
07:15	0	0	0	0	0	121	18	0	39	11	36	0	6	102	0	1	334
07:30	0	0	0	0	0	169	25	1	38	7	18	0	16	102	0	0	376
07:45	0	0	0	0	0	147	27	0	108	5	43	0	14	119	0	5	468
Total	0	0	0	0	0	551	96	1	235	29	144	0	46	400	0	7	1509
08:00	0	0	0	0	0	193	34	0	104	6	31	0	26	89	0	1	484
08:15	0	0	0	0	0	120	25	0	128	0	54	0	15	87	0	0	429
08:30	0	0	0	0	0	87	32	1	96	1	62	0	19	80	0	0	378
08:45	0	0	0	0	0	92	28	0	58	4	35	0	15	68	0	0	300
Total	0	0	0	0	0	492	119	1	386	11	182	0	75	324	0	1	1591
*** BREAK ***																	
15:00	0	0	0	0	0	93	34	0	22	10	40	1	23	101	0	2	326
15:15	0	0	0	0	0	107	32	3	18	4	30	0	17	133	0	1	345
15:30	0	0	0	0	0	133	58	0	20	15	46	0	21	125	0	3	421
15:45	0	0	0	0	0	108	41	0	32	6	31	0	17	142	0	2	379
Total	0	0	0	0	0	441	165	3	92	35	147	1	78	501	0	8	1471
16:00	0	0	0	0	0	109	67	0	29	6	36	0	18	131	0	5	401
16:15	0	0	0	0	0	98	43	4	33	14	31	0	30	166	0	1	420
16:30	0	0	0	0	0	142	51	0	45	9	39	0	23	196	0	0	505
16:45	0	0	0	0	0	123	33	0	34	6	47	0	23	173	0	0	439
Total	0	0	0	0	0	472	194	4	141	35	153	0	94	666	0	6	1765
17:00	0	0	0	0	0	127	54	0	31	9	47	0	17	172	0	0	457
17:15	0	0	0	0	0	140	45	1	48	11	39	0	23	194	0	0	501
17:30	0	0	0	0	0	130	21	2	36	11	47	0	29	193	0	2	471
17:45	0	0	0	0	0	109	28	1	28	10	50	1	18	197	0	1	443
Total	0	0	0	0	0	506	148	4	143	41	183	1	87	756	0	3	1872
Grand Total	0	0	0	0	0	2704	815	15	1205	172	997	2	458	2872	0	26	9266
Apprch %	0	0	0	0	0	76.5	23.1	0.4	50.7	7.2	42	0.1	13.6	85.6	0	0.8	
Total %	0	0	0	0	0	29.2	8.8	0.2	13	1.9	10.8	0	4.9	31	0	0.3	



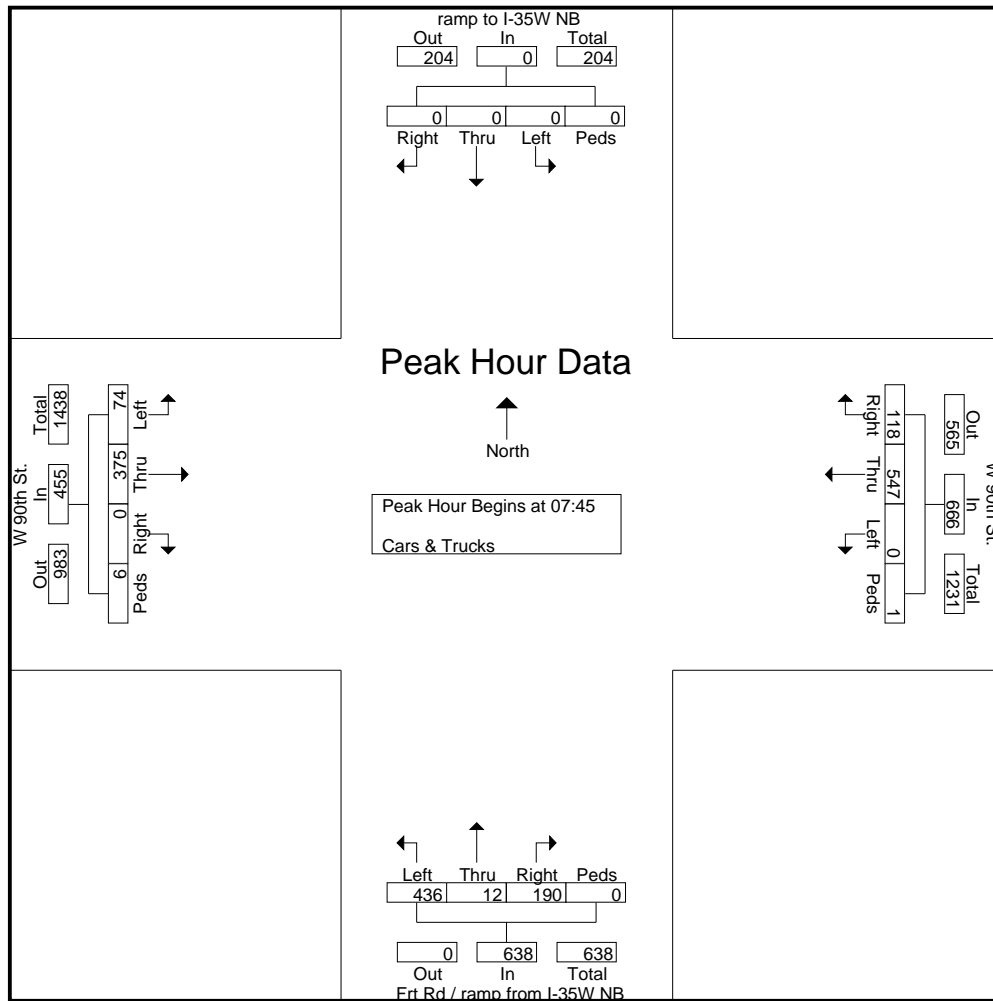
# MINNESOTA DEPT OF TRANSPORTATION

## TRAFFIC DATA COLLECTION - METRO

I-35W at W 90th St., East Ramps  
 REF.PT.: 006.738  
 JAMAR # 631 RE  
 TURN MOVEMENT COUNT

File Name : I-35W AT W 90TH ST East Ramps 2007  
 Site Code : 00000000  
 Start Date : 6/20/2007  
 Page No : 2

Start Time	ramp to I-35W NB Southbound					W 90th St. Westbound					Frt Rd / ramp from I-35W NB Northbound					W 90th St. Eastbound					Int. Total
	Left	Thru	Right	Peds	App. Total	Left	Thru	Right	Peds	App. Total	Left	Thru	Right	Peds	App. Total	Left	Thru	Right	Peds	App. Total	
Peak Hour Analysis From 06:00 to 08:45 - Peak 1 of 1																					
Peak Hour for Entire Intersection Begins at 07:45																					
07:45	0	0	0	0	0	0	147	27	0	174	108	5	43	0	156	14	<b>119</b>	0	<b>5</b>	<b>138</b>	468
08:00	0	0	0	0	0	0	<b>193</b>	<b>34</b>	0	<b>227</b>	104	<b>6</b>	31	0	141	<b>26</b>	89	0	1	116	<b>484</b>
08:15	0	0	0	0	0	0	120	25	0	145	<b>128</b>	0	54	0	<b>182</b>	15	87	0	0	102	429
08:30	0	0	0	0	0	0	87	32	<b>1</b>	120	96	1	<b>62</b>	0	159	19	80	0	0	99	378
Total Volume	0	0	0	0	0	0	547	118	1	666	436	12	190	0	638	74	375	0	6	455	1759
% App. Total																					
PHF	.000	.000	.000	.000	.000	.000	.709	.868	.250	.733	.852	.500	.766	.000	.876	.712	.788	.000	.300	.824	.909





# MINNESOTA DEPT OF TRANSPORTATION

## TRAFFIC DATA COLLECTION - METRO

I-35W at W 90th St., East Ramps  
 REF.PT.: 006.738  
 JAMAR # 631 RE  
 TURN MOVEMENT COUNT

File Name : I-35W AT W 90TH ST East Ramps 2007  
 Site Code : 00000000  
 Start Date : 6/20/2007  
 Page No : 3

Start Time	ramp to I-35W NB Southbound					W 90th St. Westbound					Frt Rd / ramp from I-35W NB Northbound					W 90th St. Eastbound					Int. Total
	Left	Thru	Right	Peds	App. Total	Left	Thru	Right	Peds	App. Total	Left	Thru	Right	Peds	App. Total	Left	Thru	Right	Peds	App. Total	
Peak Hour Analysis From 15:00 to 17:45 - Peak 1 of 1																					
Peak Hour for Entire Intersection Begins at 16:30																					
16:30	0	0	0	0	0	0	142	51	0	193	45	9	39	0	93	23	196	0	0	219	505
16:45	0	0	0	0	0	0	123	33	0	156	34	6	47	0	87	23	173	0	0	196	439
17:00	0	0	0	0	0	0	127	54	0	181	31	9	47	0	87	17	172	0	0	189	457
17:15	0	0	0	0	0	0	140	45	1	186	48	11	39	0	98	23	194	0	0	217	501
Total Volume	0	0	0	0	0	0	532	183	1	716	158	35	172	0	365	86	735	0	0	821	1902
% App. Total																					
PHF	.000	.000	.000	.000	.000	.000	.937	.847	.250	.927	.823	.795	.915	.000	.931	.935	.938	.000	.000	.937	.942

