

Albeck Gerken, Inc

Transportation Engineers

Traffic Data Collection

I-394 at Plymouth Rd, S ramp

File Name : I-394 at Plymouth Rd S ramp 2007

Ref.Pt.: 000.748

Site Code : 03080322

Data by: Albeck Gerken Inc -Matt & Josh

Start Date : 3/8/2007

TURN MOVEMENT COUNT

Page No : 1

Groups Printed- Unshifted

Start Time	Plymouth Rd Southbound				Loop from EB I-394 Westbound				Plymouth Rd Northbound				Ridgehaven Lane Eastbound				Int. Total
	Left	Thru	Right	Peds	Left	Thru	Right	Peds	Left	Thru	Right	Peds	Left	Thru	Right	Peds	
06:00	11	18	7	0	7	4	2	0	1	15	10	0	0	0	0	0	75
06:15	24	14	13	0	8	3	4	0	0	14	18	0	0	0	0	0	98
06:30	27	32	15	0	13	7	11	0	0	29	33	0	0	0	0	0	167
06:45	28	37	26	0	26	15	24	0	1	47	34	0	0	0	0	0	238
Total	90	101	61	0	54	29	41	0	2	105	95	0	0	0	0	0	578
07:00	34	60	21	0	14	6	18	0	0	55	40	0	0	0	0	0	248
07:15	37	57	22	0	21	7	24	0	1	59	31	0	0	0	0	0	259
07:30	41	72	20	0	19	8	19	0	0	87	44	0	0	0	0	0	310
07:45	46	73	25	0	26	13	32	1	0	102	43	1	0	0	0	0	362
Total	158	262	88	0	80	34	93	1	1	303	158	1	0	0	0	0	1179
08:00	31	77	36	0	30	12	30	0	0	80	41	0	0	0	0	0	337
08:15	41	73	30	0	53	9	25	0	3	79	44	0	0	0	0	0	357
08:30	37	86	38	0	48	23	29	0	0	65	48	0	0	0	0	0	374
08:45	31	72	33	0	60	27	33	0	4	111	49	0	0	0	0	0	420
Total	140	308	137	0	191	71	117	0	7	335	182	0	0	0	0	0	1488
** Break **																	
11:00	41	107	70	0	73	29	37	0	3	146	86	0	0	0	0	0	592
11:15	61	149	65	0	71	42	43	0	1	203	85	0	5	0	0	0	725
11:30	48	132	95	0	87	47	43	0	4	188	108	0	0	0	0	0	752
11:45	65	168	83	0	89	45	37	0	2	238	80	0	0	0	0	0	807
Total	215	556	313	0	320	163	160	0	10	775	359	0	5	0	0	0	2876
12:00	64	139	103	0	69	41	33	0	6	239	97	0	0	0	0	0	791
12:15	53	156	86	0	75	45	31	0	4	295	105	0	0	0	0	0	850
12:30	48	130	81	0	86	53	39	0	3	268	128	0	0	0	0	0	836
12:45	63	124	96	0	69	55	25	0	3	333	131	0	0	0	0	0	899
Total	228	549	366	0	299	194	128	0	16	1135	461	0	0	0	0	0	3376
** Break **																	
16:00	81	124	78	1	43	31	12	0	1	236	87	0	0	0	0	0	694
16:15	94	138	77	1	55	28	35	0	0	215	96	0	0	0	0	0	739
16:30	110	121	83	0	61	30	25	0	0	233	97	0	0	0	0	0	760
16:45	89	124	78	1	41	49	34	0	3	215	98	0	0	0	0	0	732
Total	374	507	316	3	200	138	106	0	4	899	378	0	0	0	0	0	2925
17:00	109	137	67	0	53	29	33	0	0	258	108	0	0	0	0	0	794
17:15	100	140	74	0	47	44	37	0	0	291	92	0	0	0	0	0	825
17:30	68	116	78	0	46	45	45	0	0	277	82	0	0	0	0	0	757
17:45	75	131	81	0	46	32	35	0	1	259	89	0	0	0	0	0	749
Total	352	524	300	0	192	150	150	0	1	1085	371	0	0	0	0	0	3125
Grand Total	1557	2807	1581	3	1336	779	795	1	41	4637	2004	1	5	0	0	0	15547
Apprch %	26.2	47.2	26.6	0.1	45.9	26.8	27.3	0	0.6	69.4	30	0	100	0	0	0	
Total %	10	18.1	10.2	0	8.6	5	5.1	0	0.3	29.8	12.9	0	0	0	0	0	

Albeck Gerken, Inc

Transportation Engineers

Traffic Data Collection

I-394 at Plymouth Rd, S ramp

Ref.Pt.: 000.748

Data by: Albeck Gerken Inc -Matt & Josh

TURN MOVEMENT COUNT

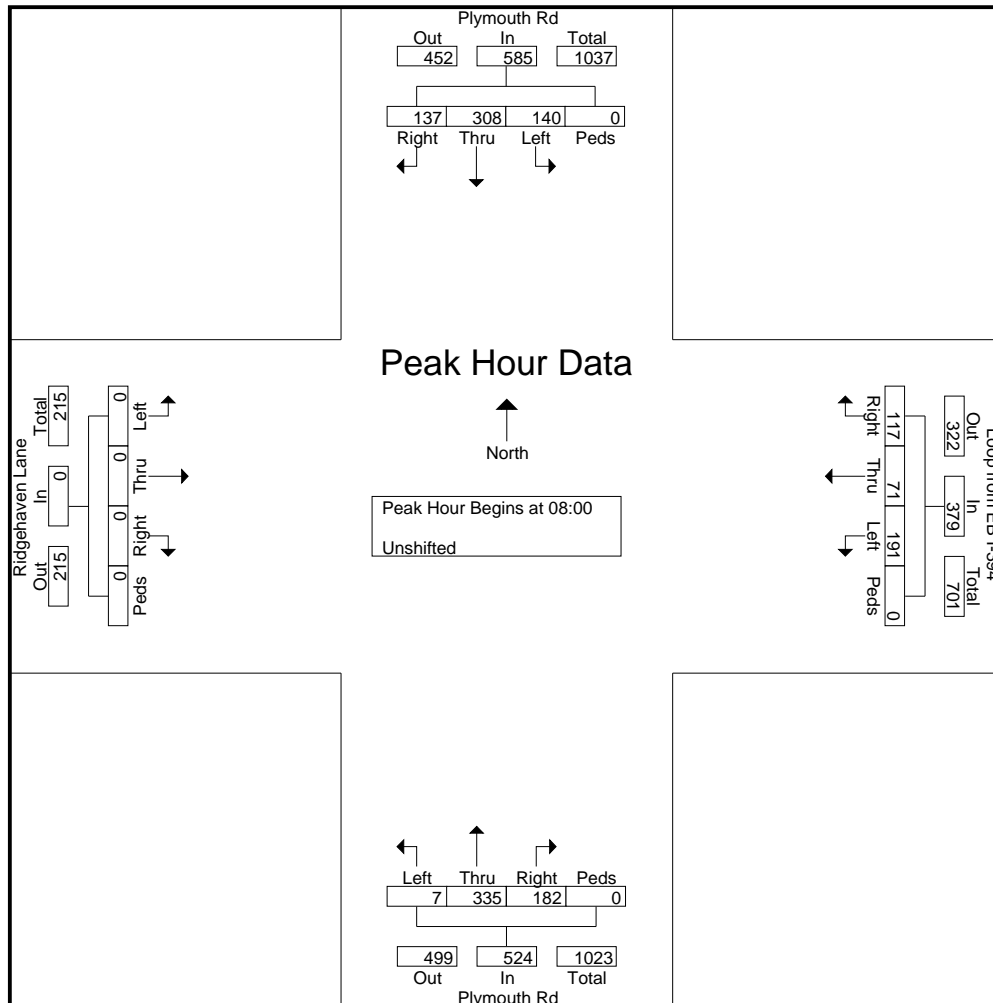
File Name : I-394 at Plymouth Rd S ramp 2007

Site Code : 03080322

Start Date : 3/8/2007

Page No : 2

Start Time	Plymouth Rd Southbound					Loop from EB I-394 Westbound					Plymouth Rd Northbound					Ridgehaven Lane Eastbound					Int. Total
	Left	Thru	Right	Peds	App. Total	Left	Thru	Right	Peds	App. Total	Left	Thru	Right	Peds	App. Total	Left	Thru	Right	Peds	App. Total	
Peak Hour Analysis From 06:00 to 08:45 - Peak 1 of 1																					
Peak Hour for Entire Intersection Begins at 08:00																					
08:00	31	77	36	0	144	30	12	30	0	72	0	80	41	0	121	0	0	0	0	0	337
08:15	41	73	30	0	144	53	9	25	0	87	3	79	44	0	126	0	0	0	0	0	357
08:30	37	86	38	0	161	48	23	29	0	100	0	65	48	0	113	0	0	0	0	0	374
08:45	31	72	33	0	136	60	27	33	0	120	4	111	49	0	164	0	0	0	0	0	420
Total Volume	140	308	137	0	585	191	71	117	0	379	7	335	182	0	524	0	0	0	0	0	1488
% App. Total	23.9	52.6	23.4	0		50.4	18.7	30.9	0		1.3	63.9	34.7	0		0	0	0	0		
PHF	.854	.895	.901	.000	.908	.796	.657	.886	.000	.790	.438	.755	.929	.000	.799	.000	.000	.000	.000	.000	.886



Albeck Gerken, Inc

Transportation Engineers

Traffic Data Collection

I-394 at Plymouth Rd, S ramp

Ref.Pt.: 000.748

Data by: Albeck Gerken Inc -Matt & Josh

TURN MOVEMENT COUNT

File Name : I-394 at Plymouth Rd S ramp 2007

Site Code : 03080322

Start Date : 3/8/2007

Page No : 3

Start Time	Plymouth Rd Southbound					Loop from EB I-394 Westbound					Plymouth Rd Northbound					Ridgheaven Lane Eastbound					Int. Total
	Left	Thru	Right	Peds	App. Total	Left	Thru	Right	Peds	App. Total	Left	Thru	Right	Peds	App. Total	Left	Thru	Right	Peds	App. Total	
Peak Hour Analysis From 15:00 to 17:45 - Peak 1 of 1																					
Peak Hour for Entire Intersection Begins at 17:00																					
17:00	109	137	67	0	313	53	29	33	0	115	0	258	108	0	366	0	0	0	0	0	794
17:15	100	140	74	0	314	47	44	37	0	128	0	291	92	0	383	0	0	0	0	0	825
17:30	68	116	78	0	262	46	45	45	0	136	0	277	82	0	359	0	0	0	0	0	757
17:45	75	131	81	0	287	46	32	35	0	113	1	259	89	0	349	0	0	0	0	0	749
Total Volume	352	524	300	0	1176	192	150	150	0	492	1	1085	371	0	1457	0	0	0	0	0	3125
% App. Total	29.9	44.6	25.5	0		39	30.5	30.5	0		0.1	74.5	25.5	0		0	0	0	0	0	
PHF	.807	.936	.926	.000	.936	.906	.833	.833	.000	.904	.250	.932	.859	.000	.951	.000	.000	.000	.000	.000	.947

