



MINNESOTA DEPT OF TRANSPORTATION

TRAFFIC DATA COLLECTION - METRO

I-394 at Louisiana Ave , north ramps

Ref Pt.: 004.455

Video SP

TURN MOVEMENT COUNT

File Name : I-394 at Louisiana Ave N ramps 2013

Site Code :

Start Date : 7/24/2013

Page No : 1

Groups Printed- Cars +

Start Time	Louisiana Ave Southbound				ramp from I-394 WB Westbound				Louisiana Ave Northbound				ramp to I-394 WB Eastbound				Int. Total
	Right	Thru	Left	Peds	Right	Thru	Left	Peds	Right	Thru	Left	Peds	Right	Thru	Left	Peds	
***** BREAK *****																	
06:00	3	11	0	0	35	0	18	0	0	27	19	0	0	0	0	0	113
06:15	26	25	0	0	25	0	28	0	0	39	13	0	0	0	0	0	156
06:30	14	26	0	0	41	0	40	0	0	46	27	0	0	0	0	0	194
06:45	22	40	0	0	45	0	43	0	0	74	19	0	0	0	0	0	243
Total	65	102	0	0	146	0	129	0	0	186	78	0	0	0	0	0	706
07:00	23	28	0	0	42	0	49	0	0	68	42	0	0	0	0	0	252
07:15	27	36	0	0	41	0	49	0	0	79	42	0	0	0	0	0	274
07:30	41	38	0	0	40	0	55	0	0	89	75	0	0	0	0	0	338
07:45	34	53	0	0	32	0	70	0	0	114	76	0	0	0	0	0	379
Total	125	155	0	0	155	0	223	0	0	350	235	0	0	0	0	0	1243
08:00	28	41	0	0	41	0	78	0	0	108	68	0	0	0	0	0	364
08:15	41	53	0	0	47	0	80	0	0	104	47	0	0	0	0	0	372
08:30	61	45	0	0	46	0	64	0	0	109	52	0	0	0	0	0	377
08:45	46	56	0	0	59	0	64	0	0	99	41	0	0	0	0	0	365
Total	176	195	0	0	193	0	286	0	0	420	208	0	0	0	0	0	1478
***** BREAK *****																	
10:30	15	30	0	0	22	0	12	0	0	30	12	0	0	0	0	0	121
10:45	61	61	0	0	37	0	70	0	0	104	60	0	0	0	0	0	393
Total	76	91	0	0	59	0	82	0	0	134	72	0	0	0	0	0	514
11:00	68	80	0	0	67	0	60	0	0	89	50	0	0	0	0	0	414
11:15	48	69	0	0	68	0	51	0	0	100	65	0	0	0	0	0	401
11:30	64	94	0	0	72	0	56	0	0	145	59	0	0	0	0	0	490
11:45	73	78	0	0	63	1	61	0	0	123	49	0	0	0	0	0	448
Total	253	321	0	0	270	1	228	0	0	457	223	0	0	0	0	0	1753
12:00	75	86	0	0	95	0	76	0	0	139	65	0	0	0	0	0	536
12:15	78	112	0	0	92	0	62	0	0	128	57	0	0	0	0	0	529
12:30	102	119	0	0	83	0	69	0	0	117	52	0	0	0	0	0	542
12:45	79	95	0	0	62	0	69	0	0	122	61	0	0	0	0	0	488
Total	334	412	0	0	332	0	276	0	0	506	235	0	0	0	0	0	2095
13:00	76	94	0	0	74	0	63	0	0	125	68	0	0	0	0	0	500
13:15	76	104	0	0	58	1	66	0	0	126	69	0	0	0	0	0	500
13:30	88	88	0	0	74	0	66	0	0	98	49	0	0	0	0	0	463
13:45	69	96	0	0	73	0	71	0	0	95	72	0	0	0	0	0	476
Total	309	382	0	0	279	1	266	0	0	444	258	0	0	0	0	0	1939
14:00	58	81	0	0	68	0	69	0	0	91	53	0	0	0	0	0	420
14:15	83	68	0	0	72	0	62	0	0	119	55	0	0	0	0	0	459
14:30	76	73	0	0	78	0	61	0	0	96	74	0	0	0	0	0	458
14:45	65	71	0	0	92	0	77	0	0	76	56	0	0	0	0	0	437
Total	282	293	0	0	310	0	269	0	0	382	238	0	0	0	0	0	1774
15:00	122	84	0	0	64	0	82	0	0	85	60	0	0	0	0	0	497
15:15	71	65	0	0	68	0	73	0	0	110	65	0	0	0	0	0	452
15:30	92	79	0	0	52	0	87	0	0	120	82	0	0	0	0	0	512
15:45	78	68	0	0	62	0	60	0	0	112	79	0	0	0	0	0	459
Total	363	296	0	0	246	0	302	0	0	427	286	0	0	0	0	0	1920



MINNESOTA DEPT OF TRANSPORTATION

TRAFFIC DATA COLLECTION - METRO

I-394 at Louisiana Ave , north ramps

Ref Pt.: 004.455

Video SP

TURN MOVEMENT COUNT

File Name : I-394 at Louisiana Ave N ramps 2013

Site Code :

Start Date : 7/24/2013

Page No : 2

Groups Printed- Cars +

Start Time	Louisiana Ave Southbound				ramp from I-394 WB Westbound				Louisiana Ave Northbound				ramp to I-394 WB Eastbound				Int. Total
	Right	Thru	Left	Peds	Right	Thru	Left	Peds	Right	Thru	Left	Peds	Right	Thru	Left	Peds	
16:00	92	98	0	0	62	0	83	0	0	128	109	0	0	0	0	0	572
16:15	66	71	0	0	50	0	93	0	0	133	92	0	0	0	0	0	505
16:30	82	76	0	0	53	0	94	0	0	173	104	0	0	0	0	0	582
16:45	83	87	0	0	62	0	111	0	0	154	96	0	0	0	0	0	593
Total	323	332	0	0	227	0	381	0	0	588	401	0	0	0	0	0	2252
17:00	85	89	0	0	48	0	104	0	0	156	113	0	0	0	0	0	595
17:15	73	92	0	0	52	0	95	0	0	161	89	0	0	0	0	0	562
17:30	71	65	0	0	61	0	110	0	0	145	89	0	0	0	0	0	541
17:45	63	78	0	0	55	0	104	0	0	136	79	0	0	0	0	0	515
Total	292	324	0	0	216	0	413	0	0	598	370	0	0	0	0	0	2213
Grand Total	2598	2903	0	0	2433	2	2855	0	0	4492	2604	0	0	0	0	0	17887
Apprch %	47.2	52.8	0	0	46	0	54	0	0	63.3	36.7	0	0	0	0	0	
Total %	14.5	16.2	0	0	13.6	0	16	0	0	25.1	14.6	0	0	0	0	0	



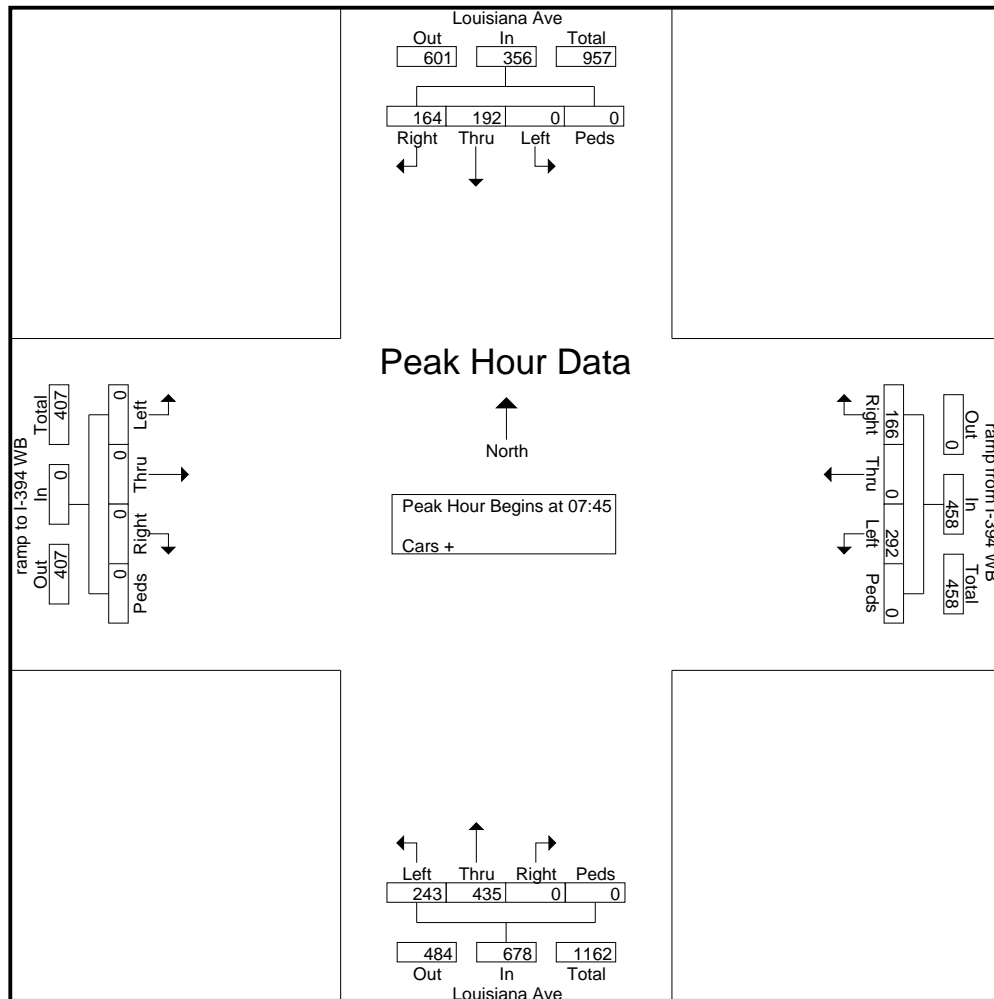
MINNESOTA DEPT OF TRANSPORTATION

TRAFFIC DATA COLLECTION - METRO

I-394 at Louisiana Ave , north ramps
 Ref Pt.: 004.455
 Video SP
 TURN MOVEMENT COUNT

File Name : I-394 at Louisiana Ave N ramps 2013
 Site Code :
 Start Date : 7/24/2013
 Page No : 3

Start Time	Louisiana Ave Southbound					ramp from I-394 WB Westbound					Louisiana Ave Northbound					ramp to I-394 WB Eastbound					Int. Total
	Right	Thru	Left	Peds	App. Total	Right	Thru	Left	Peds	App. Total	Right	Thru	Left	Peds	App. Total	Right	Thru	Left	Peds	App. Total	
Peak Hour Analysis From 05:45 to 08:45 - Peak 1 of 1																					
Peak Hour for Entire Intersection Begins at 07:45																					
07:45	34	53	0	0	87	32	0	70	0	102	0	114	76	0	190	0	0	0	0	0	379
08:00	28	41	0	0	69	41	0	78	0	119	0	108	68	0	176	0	0	0	0	0	364
08:15	41	53	0	0	94	47	0	80	0	127	0	104	47	0	151	0	0	0	0	0	372
08:30	61	45	0	0	106	46	0	64	0	110	0	109	52	0	161	0	0	0	0	0	377
Total Volume	164	192	0	0	356	166	0	292	0	458	0	435	243	0	678	0	0	0	0	0	1492
% App. Total	46.1	53.9	0	0		36.2	0	63.8	0		0	64.2	35.8	0		0	0	0	0	0	
PHF	.672	.906	.000	.000	.840	.883	.000	.913	.000	.902	.000	.954	.799	.000	.892	.000	.000	.000	.000	.000	.984





MINNESOTA DEPT OF TRANSPORTATION

TRAFFIC DATA COLLECTION - METRO

I-394 at Louisiana Ave , north ramps
 Ref Pt.: 004.455
 Video SP
 TURN MOVEMENT COUNT

File Name : I-394 at Louisiana Ave N ramps 2013
 Site Code :
 Start Date : 7/24/2013
 Page No : 4

Start Time	Louisiana Ave Southbound					ramp from I-394 WB Westbound					Louisiana Ave Northbound					ramp to I-394 WB Eastbound					Int. Total
	Rig ht	Thru	Left	Peds	App. Total	Rig ht	Thru	Left	Peds	App. Total	Right	Thru	Left	Peds	App. Total	Right	Thru	Left	Peds	App. Total	
16:30	82	76	0	0	158	53	0	94	0	147	0	173	104	0	277	0	0	0	0	0	582
16:45	83	87	0	0	170	62	0	111	0	173	0	154	96	0	250	0	0	0	0	0	593
17:00	85	89	0	0	174	48	0	104	0	152	0	156	113	0	269	0	0	0	0	0	595
17:15	73	92	0	0	165	52	0	95	0	147	0	161	89	0	250	0	0	0	0	0	562
Total Volume	323	344	0	0	667	215	0	404	0	619	0	644	402	0	1046	0	0	0	0	0	2332
% App. Total	48.4	51.6	0	0		34.7	0	65.3	0		0	61.6	38.4	0		0	0	0	0	0	
PHF	.950	.935	.000	.000	.958	.867	.000	.910	.000	.895	.000	.931	.889	.000	.944	.000	.000	.000	.000	.000	.980

Peak Hour Analysis From 15:00 to 17:45 - Peak 1 of 1
 Peak Hour for Entire Intersection Begins at 16:30

