

Albeck Gerken, Inc

Transportation Engineers

Traffic Data Collection

Xenia Ave S at Golden Hills Drive
 Ref.Pt.: Golden Valley
 Data by: Albeck Gerken
 TURN MOVEMENT COUNT

File Name : Xenia Ave at Golden Hills Dr 2007
 Site Code : 00182711
 Start Date : 4/10/2007
 Page No : 1

Groups Printed- Unshifted

Start Time	Xenia Ave S Southbound				Golden Hills Drive Westbound				Xenia Ave S Northbound				Golden Hills Drive Eastbound				Int. Total
	Left	Thru	Right	Peds	Left	Thru	Right	Peds	Left	Thru	Right	Peds	Left	Thru	Right	Peds	
06:00	2	20	14	0	1	0	0	0	43	9	4	0	2	1	1	0	97
06:15	4	23	11	0	3	1	0	0	58	8	15	0	3	1	4	0	131
06:30	1	37	24	0	1	1	0	0	62	16	13	0	1	1	7	0	164
06:45	10	41	28	0	3	0	0	0	94	18	23	0	3	3	5	0	228
Total	17	121	77	0	8	2	0	0	257	51	55	0	9	6	17	0	620
07:00	11	63	31	0	6	1	3	0	95	33	43	0	4	2	15	0	307
07:15	20	82	30	0	8	1	2	0	99	21	39	0	3	2	15	0	322
07:30	15	107	38	0	7	1	5	0	93	36	23	0	6	8	21	0	360
07:45	26	86	28	3	6	2	3	1	105	32	23	1	6	4	20	1	347
Total	72	338	127	3	27	5	13	1	392	122	128	1	19	16	71	1	1336
08:00	25	111	45	0	12	0	2	0	130	36	27	0	2	5	15	0	410
08:15	20	106	29	0	18	2	5	0	135	37	26	0	5	4	24	0	411
08:30	23	115	25	0	27	0	7	0	92	36	25	0	4	2	20	0	376
08:45	14	61	20	0	34	2	7	0	115	26	30	0	3	3	11	0	326
Total	82	393	119	0	91	4	21	0	472	135	108	0	14	14	70	0	1523
*** BREAK ***																	
11:00	5	28	4	0	37	10	10	0	26	19	8	0	9	26	21	0	203
11:15	7	38	6	0	28	8	12	0	22	24	35	0	10	14	40	0	244
11:30	15	53	0	0	53	8	7	0	38	38	28	2	4	7	36	0	289
11:45	4	51	13	0	37	12	7	0	52	53	20	2	8	4	41	1	305
Total	31	170	23	0	155	38	36	0	138	134	91	4	31	51	138	1	1041
12:00	5	61	6	0	40	5	9	0	70	45	20	2	6	6	46	1	322
12:15	3	52	10	0	42	9	4	0	58	51	20	0	7	7	52	0	315
12:30	8	52	12	0	44	6	8	0	68	53	19	0	8	3	41	1	323
12:45	9	58	10	0	29	4	6	1	70	39	9	1	9	7	45	1	298
Total	25	223	38	0	155	24	27	1	266	188	68	3	30	23	184	3	1258
*** BREAK ***																	
15:00	2	49	4	0	28	2	8	0	34	51	3	0	22	2	47	0	252
15:15	3	68	6	0	40	2	18	0	26	39	12	0	10	4	26	0	254
15:30	5	66	4	0	27	2	11	0	22	44	12	1	24	0	45	0	263
15:45	5	48	5	0	27	4	12	0	36	71	9	0	16	1	30	1	265
Total	15	231	19	0	122	10	49	0	118	205	36	1	72	7	148	1	1034
16:00	0	77	1	0	48	9	14	1	28	68	7	2	52	2	47	0	356
16:15	1	59	4	0	44	3	10	0	31	67	7	0	38	2	44	0	310
16:30	3	56	3	0	52	12	27	0	43	50	9	1	52	3	61	0	372
16:45	4	59	3	0	54	3	23	0	44	60	13	1	40	4	49	0	357
Total	8	251	11	0	198	27	74	1	146	245	36	4	182	11	201	0	1395
17:00	4	71	3	0	86	8	39	0	36	90	5	2	58	2	76	1	481
17:15	2	56	6	0	47	6	27	0	38	87	3	0	42	3	52	0	369
17:30	2	65	5	0	38	6	10	0	37	62	5	0	32	1	52	0	315
17:45	1	72	4	0	50	2	16	1	21	57	7	0	32	0	37	0	300
Total	9	264	18	0	221	22	92	1	132	296	20	2	164	6	217	1	1465
Grand Total	259	1991	432	3	977	132	312	4	1921	1376	542	15	521	134	1046	7	9672
Apprch %	9.6	74.2	16.1	0.1	68.6	9.3	21.9	0.3	49.8	35.7	14.1	0.4	30.5	7.8	61.2	0.4	
Total %	2.7	20.6	4.5	0	10.1	1.4	3.2	0	19.9	14.2	5.6	0.2	5.4	1.4	10.8	0.1	

Albeck Gerken, Inc

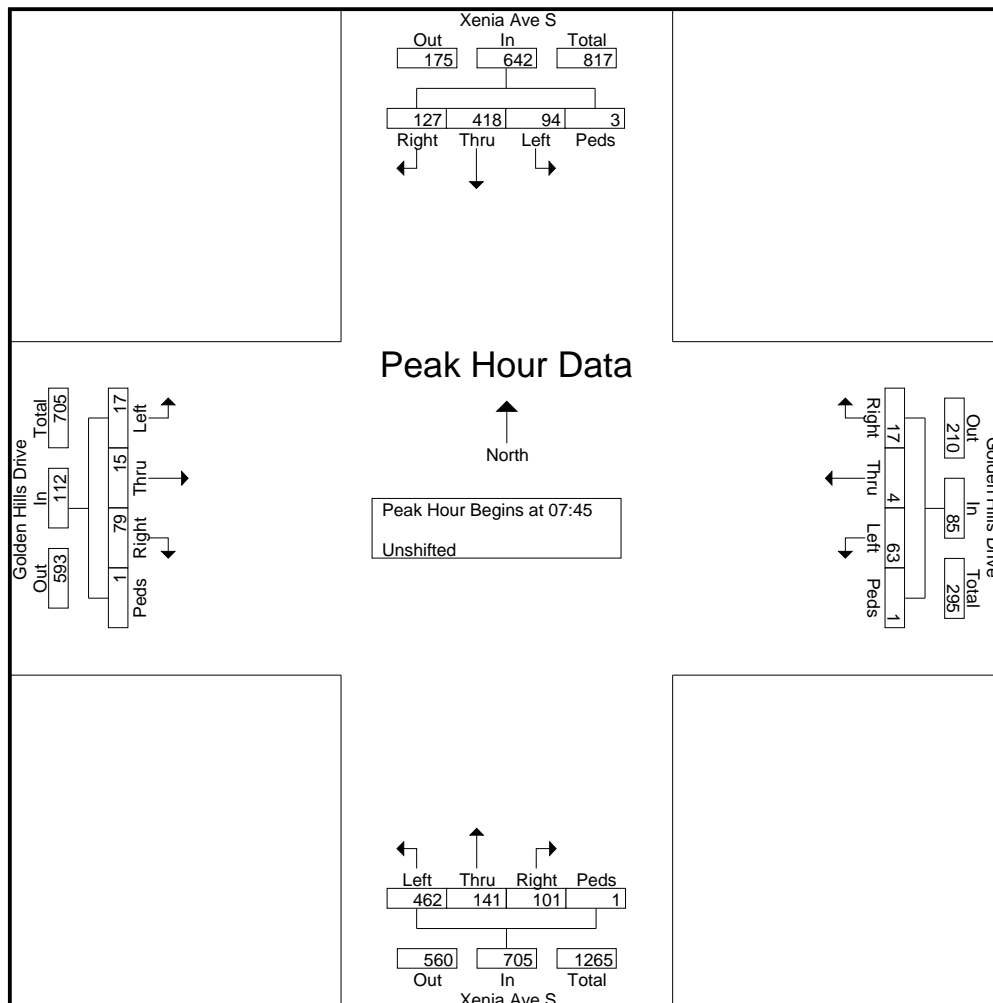
Transportation Engineers

Traffic Data Collection

Xenia Ave S at Golden Hills Drive
 Ref.Pt.: Golden Valley
 Data by: Albeck Gerken
 TURN MOVEMENT COUNT

File Name : Xenia Ave at Golden Hills Dr 2007
 Site Code : 00182711
 Start Date : 4/10/2007
 Page No : 2

Start Time	Xenia Ave S Southbound					Golden Hills Drive Westbound					Xenia Ave S Northbound					Golden Hills Drive Eastbound					Int. Total
	Left	Thru	Right	Peds	App. Total	Left	Thru	Right	Peds	App. Total	Left	Thru	Right	Peds	App. Total	Left	Thru	Right	Peds	App. Total	
Peak Hour Analysis From 06:00 to 08:45 - Peak 1 of 1																					
Peak Hour for Entire Intersection Begins at 07:45																					
07:45	26	86	28	3	143	6	2	3	1	12	105	32	23	1	161	6	4	20	1	31	347
08:00	25	111	45	0	181	12	0	2	0	14	130	36	27	0	193	2	5	15	0	22	410
08:15	20	106	29	0	155	18	2	5	0	25	135	37	26	0	198	5	4	24	0	33	411
08:30	23	115	25	0	163	27	0	7	0	34	92	36	25	0	153	4	2	20	0	26	376
Total Volume	94	418	127	3	642	63	4	17	1	85	462	141	101	1	705	17	15	79	1	112	1544
% App. Total	14.6	65.1	19.8	0.5		74.1	4.7	20	1.2		65.5	20	14.3	0.1		15.2	13.4	70.5	0.9		
PHF	.904	.909	.706	.250	.887	.583	.500	.607	.250	.625	.856	.953	.935	.250	.890	.708	.750	.823	.250	.848	.939



Albeck Gerken, Inc

Transportation Engineers

Traffic Data Collection

Xenia Ave S at Golden Hills Drive
 Ref.Pt.: Golden Valley
 Data by: Albeck Gerken
 TURN MOVEMENT COUNT

File Name : Xenia Ave at Golden Hills Dr 2007
 Site Code : 00182711
 Start Date : 4/10/2007
 Page No : 3

Start Time	Xenia Ave S Southbound					Golden Hills Drive Westbound					Xenia Ave S Northbound					Golden Hills Drive Eastbound					Int. Total
	Left	Thru	Right	Peds	App. Total	Left	Thru	Right	Peds	App. Total	Left	Thru	Right	Peds	App. Total	Left	Thru	Right	Peds	App. Total	
Peak Hour Analysis From 15:00 to 17:45 - Peak 1 of 1																					
Peak Hour for Entire Intersection Begins at 16:30																					
16:30	3	56	3	0	62	52	12	27	0	91	43	50	9	1	103	52	3	61	0	116	372
16:45	4	59	3	0	66	54	3	23	0	80	44	60	13	1	118	40	4	49	0	93	357
17:00	4	71	3	0	78	86	8	39	0	133	36	90	5	2	133	58	2	76	1	137	481
17:15	2	56	6	0	64	47	6	27	0	80	38	87	3	0	128	42	3	52	0	97	369
Total Volume	13	242	15	0	270	239	29	116	0	384	161	287	30	4	482	192	12	238	1	443	1579
% App. Total	4.8	89.6	5.6	0		62.2	7.6	30.2	0		33.4	59.5	6.2	0.8		43.3	2.7	53.7	0.2		
PHF	.813	.852	.625	.000	.865	.695	.604	.744	.000	.722	.915	.797	.577	.500	.906	.828	.750	.783	.250	.808	.821

