

# SRF Consulting Group, Inc.

One Carlson Pkwy N, Suite 150  
Minneapolis, MN 55447

Counted By: Ivan & Joanne  
Location: 24th Ave & I-494 SPUI  
Day of Week: Tuesday  
Project #: 7288

File Name : 22\_24th Ave & I-494 SPUI\_AM  
Site Code : 00011902  
Start Date : 11/9/2010  
Page No : 1

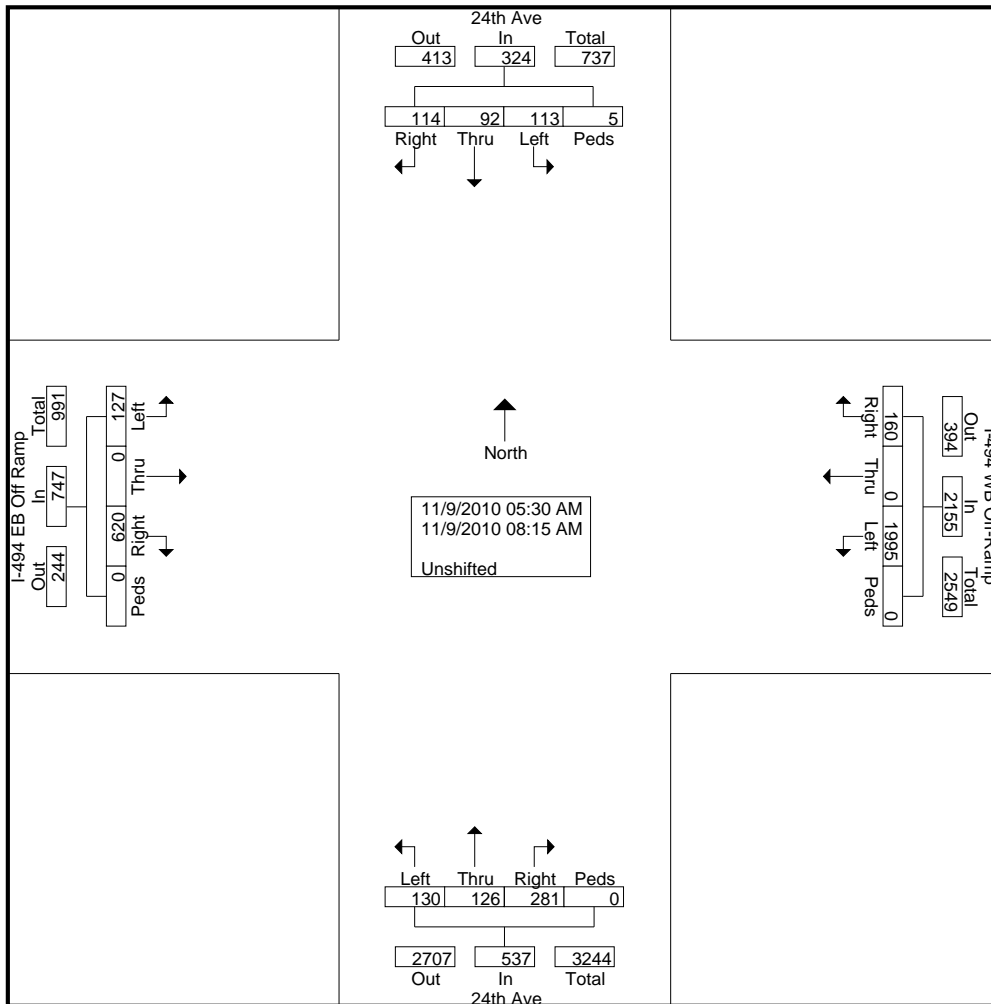
Groups Printed- Unshifted

Start Time	24th Ave From South					24th Ave From North					I-494 EB Off Ramp From West					I-494 WB Off-Ramp From East					Int. Total
	Right	Thru	Left	Peds	App. Total	Right	Thru	Left	Peds	App. Total	Right	Thru	Left	Peds	App. Total	Right	Thru	Left	Peds	App. Total	
05:30 AM	9	9	2	0	20	8	4	3	0	15	28	0	18	0	46	27	0	38	0	65	146
05:45 AM	9	13	4	0	26	8	4	4	0	16	33	0	12	0	45	21	0	46	0	67	154
Total	18	22	6	0	46	16	8	7	0	31	61	0	30	0	91	48	0	84	0	132	300
06:00 AM	9	6	9	0	24	12	3	2	0	17	18	0	9	0	27	14	0	27	0	41	109
06:15 AM	11	12	9	0	32	8	6	5	2	21	21	0	14	0	35	10	0	54	0	64	152
06:30 AM	21	15	11	0	47	15	8	18	2	43	30	0	13	0	43	13	0	70	0	83	216
06:45 AM	19	8	6	0	33	24	10	11	0	45	52	0	10	0	62	8	0	129	0	137	277
Total	60	41	35	0	136	59	27	36	4	126	121	0	46	0	167	45	0	280	0	325	754
07:00 AM	35	6	12	0	53	13	10	22	0	45	64	0	11	0	75	7	0	118	0	125	298
07:15 AM	29	11	13	0	53	11	8	7	1	27	64	0	6	0	70	10	0	214	0	224	374
07:30 AM	45	13	19	0	77	3	11	8	0	22	61	0	9	0	70	20	0	370	0	390	559
07:45 AM	24	13	6	0	43	1	10	7	0	18	89	0	12	0	101	15	0	437	0	452	614
Total	133	43	50	0	226	28	39	44	1	112	278	0	38	0	316	52	0	1139	0	1191	1845
08:00 AM	40	13	16	0	69	5	10	15	0	30	75	0	10	0	85	7	0	306	0	313	497
08:15 AM	30	7	23	0	60	6	8	11	0	25	85	0	3	0	88	8	0	186	0	194	367
Grand Total	281	126	130	0	537	114	92	113	5	324	620	0	127	0	747	160	0	1995	0	2155	3763
Apprch %	52.3	23.5	24.2	0		35.2	28.4	34.9	1.5		83	0	17	0		7.4	0	92.6	0		
Total %	7.5	3.3	3.5	0	14.3	3	2.4	3	0.1	8.6	16.5	0	3.4	0	19.9	4.3	0	53	0	57.3	

# SRF Consulting Group, Inc.

One Carlson Pkwy N, Suite 150  
 Minneapolis, MN 55447

File Name : 22\_24th Ave & I-494 SPUI\_AM  
 Site Code : 00011902  
 Start Date : 11/9/2010  
 Page No : 2

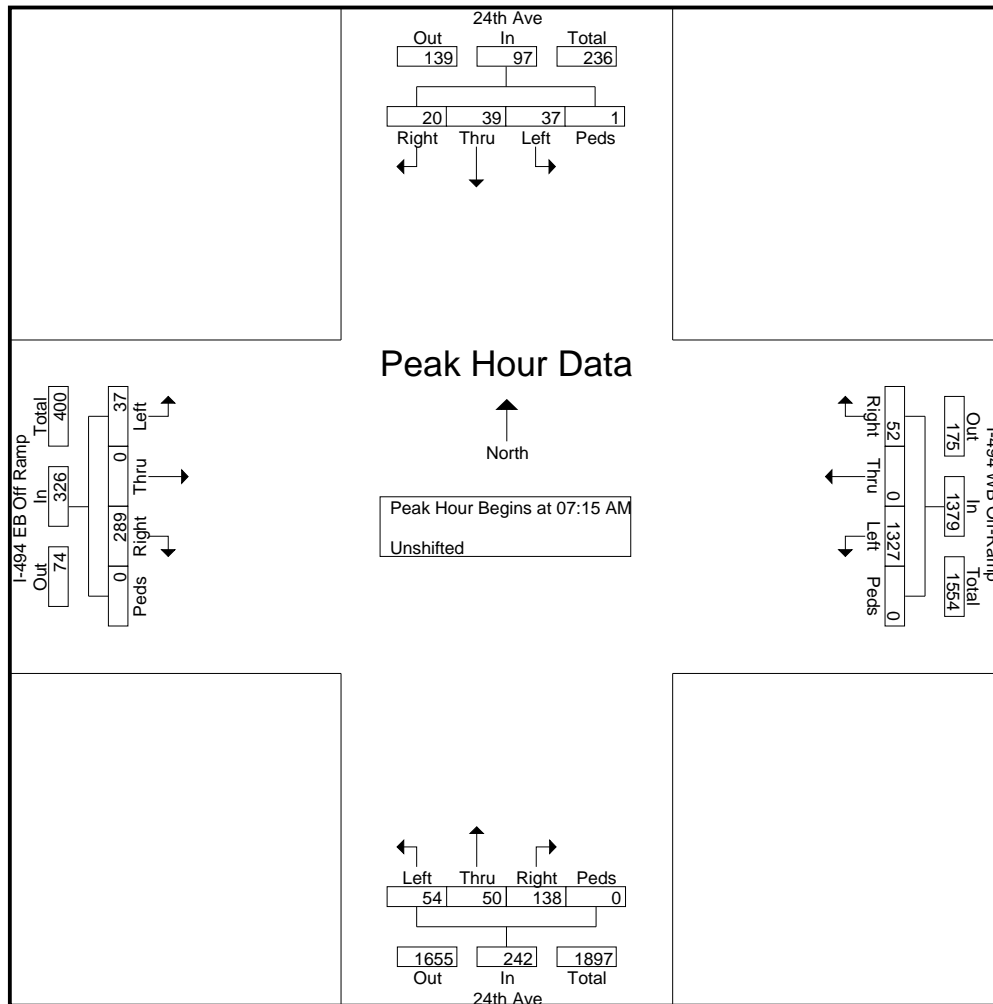


# SRF Consulting Group, Inc.

One Carlson Pkwy N, Suite 150  
Minneapolis, MN 55447

File Name : 22\_24th Ave & I-494 SPUI\_AM  
Site Code : 00011902  
Start Date : 11/9/2010  
Page No : 3

Start Time	24th Ave From South					24th Ave From North					I-494 EB Off Ramp From West					I-494 WB Off-Ramp From East					Int. Total
	Right	Thru	Left	Peds	App. Total	Right	Thru	Left	Peds	App. Total	Right	Thru	Left	Peds	App. Total	Right	Thru	Left	Peds	App. Total	
Peak Hour Analysis From 05:30 AM to 08:15 AM - Peak 1 of 1																					
Peak Hour for Entire Intersection Begins at 07:15 AM																					
07:15 AM	29	11	13	0	53	11	8	7	1	27	64	0	6	0	70	10	0	214	0	224	374
07:30 AM	<b>45</b>	<b>13</b>	<b>19</b>	0	<b>77</b>	3	<b>11</b>	8	0	22	61	0	9	0	70	<b>20</b>	0	370	0	390	559
07:45 AM	24	13	6	0	43	1	10	7	0	18	<b>89</b>	0	<b>12</b>	0	<b>101</b>	15	0	<b>437</b>	0	<b>452</b>	<b>614</b>
08:00 AM	40	13	16	0	69	5	10	<b>15</b>	0	<b>30</b>	75	0	10	0	85	7	0	306	0	313	497
Total Volume	138	50	54	0	242	20	39	37	1	97	289	0	37	0	326	52	0	1327	0	1379	2044
% App. Total	57	20.7	22.3	0		20.6	40.2	38.1	1		88.7	0	11.3	0		3.8	0	96.2	0		
PHF	.767	.962	.711	.000	.786	.455	.886	.617	.250	.808	.812	.000	.771	.000	.807	.650	.000	.759	.000	.763	.832



# SRF Consulting Group, Inc.

One Carlson Pkwy N, Suite 150  
Minneapolis, MN 55447

Counted By: Ivan & Joanne  
Location: 24th Ave & I-494 SPUI  
Day of Week: Tuesday  
Project #: 7288

File Name : 22\_24th Ave & I-494 SPUI\_PM  
Site Code : 00011902  
Start Date : 11/9/2010  
Page No : 1

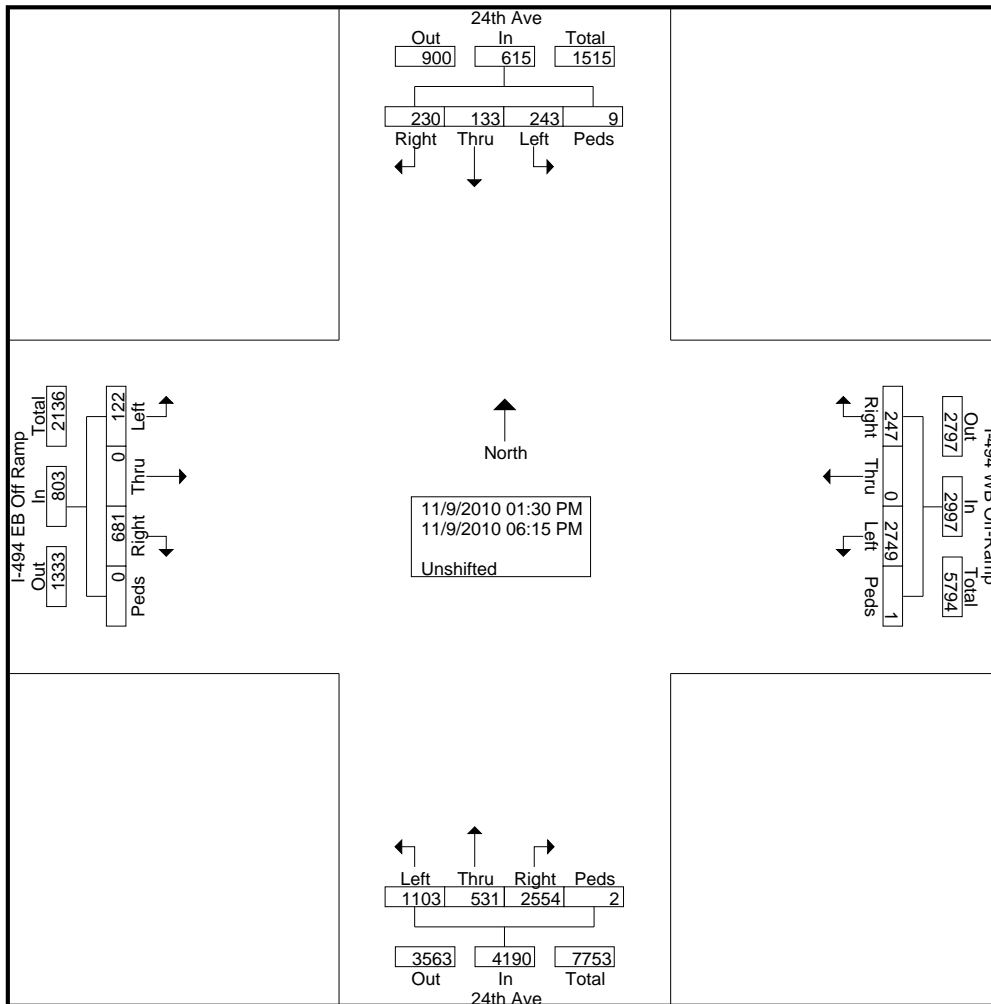
Groups Printed- Unshifted

Start Time	24th Ave From South					24th Ave From North					I-494 EB Off Ramp From West					I-494 WB Off-Ramp From East					Int. Total
	Right	Thru	Left	Peds	App. Total	Right	Thru	Left	Peds	App. Total	Right	Thru	Left	Peds	App. Total	Right	Thru	Left	Peds	App. Total	
01:30 PM	96	24	42	0	162	9	5	19	0	33	45	0	3	0	48	8	0	127	0	135	378
01:45 PM	105	16	43	0	164	14	6	7	2	29	38	0	3	0	41	11	0	128	0	139	373
Total	201	40	85	0	326	23	11	26	2	62	83	0	6	0	89	19	0	255	0	274	751
02:00 PM	119	23	44	0	186	12	9	26	0	47	43	0	6	0	49	13	0	128	0	141	423
02:15 PM	107	22	48	0	177	18	6	17	0	41	33	0	10	0	43	27	0	100	0	127	388
02:30 PM	107	18	47	0	172	14	8	11	1	34	44	0	10	0	54	17	0	111	0	128	388
02:45 PM	84	19	43	0	146	9	11	10	1	31	36	0	11	0	47	15	0	121	0	136	360
Total	417	82	182	0	681	53	34	64	2	153	156	0	37	0	193	72	0	460	0	532	1559
03:00 PM	124	19	53	0	196	8	4	21	0	33	38	0	13	0	51	16	0	116	0	132	412
03:15 PM	107	28	46	0	181	18	15	11	1	45	31	0	6	0	37	14	0	112	0	126	389
03:30 PM	107	23	67	0	197	11	7	8	0	26	32	0	7	0	39	19	0	132	0	151	413
03:45 PM	127	21	76	0	224	15	6	11	0	32	34	0	3	0	37	5	0	144	0	149	442
Total	465	91	242	0	798	52	32	51	1	136	135	0	29	0	164	54	0	504	0	558	1656
04:00 PM	148	35	75	0	258	6	6	22	0	34	36	0	2	0	38	7	0	110	0	117	447
04:15 PM	159	37	63	0	259	8	8	8	2	26	28	0	2	0	30	10	0	166	0	176	491
04:30 PM	138	30	65	1	234	14	5	9	1	29	31	0	4	0	35	9	0	165	0	174	472
04:45 PM	162	27	61	1	251	16	11	13	0	40	28	0	4	0	32	12	0	188	0	200	523
Total	607	129	264	2	1002	44	30	52	3	129	123	0	12	0	135	38	0	629	0	667	1933
05:00 PM	194	55	92	0	341	7	5	11	1	24	44	0	4	0	48	6	0	174	0	180	593
05:15 PM	178	42	56	0	276	16	4	8	0	28	27	0	3	0	30	10	0	196	0	206	540
05:30 PM	146	23	43	0	212	8	4	3	0	15	22	0	10	0	32	10	0	159	1	170	429
05:45 PM	134	23	50	0	207	12	4	12	0	28	23	0	7	0	30	9	0	140	0	149	414
Total	652	143	241	0	1036	43	17	34	1	95	116	0	24	0	140	35	0	669	1	705	1976
06:00 PM	110	26	50	0	186	8	5	5	0	18	36	0	10	0	46	17	0	119	0	136	386
06:15 PM	102	20	39	0	161	7	4	11	0	22	32	0	4	0	36	12	0	113	0	125	344
Grand Total	2554	531	1103	2	4190	230	133	243	9	615	681	0	122	0	803	247	0	2749	1	2997	8605
Apprch %	61	12.7	26.3	0		37.4	21.6	39.5	1.5		84.8	0	15.2	0		8.2	0	91.7	0		
Total %	29.7	6.2	12.8	0	48.7	2.7	1.5	2.8	0.1	7.1	7.9	0	1.4	0	9.3	2.9	0	31.9	0	34.8	

# SRF Consulting Group, Inc.

One Carlson Pkwy N, Suite 150  
 Minneapolis, MN 55447

File Name : 22\_24th Ave & I-494 SPUI\_PM  
 Site Code : 00011902  
 Start Date : 11/9/2010  
 Page No : 2



# SRF Consulting Group, Inc.

One Carlson Pkwy N, Suite 150  
Minneapolis, MN 55447

File Name : 22\_24th Ave & I-494 SPUI\_PM  
Site Code : 00011902  
Start Date : 11/9/2010  
Page No : 3

Start Time	24th Ave From South					24th Ave From North					I-494 EB Off Ramp From West					I-494 WB Off-Ramp From East					Int. Total
	Right	Thru	Left	Peds	App. Total	Right	Thru	Left	Peds	App. Total	Right	Thru	Left	Peds	App. Total	Right	Thru	Left	Peds	App. Total	
Peak Hour Analysis From 01:30 PM to 06:15 PM - Peak 1 of 1																					
Peak Hour for Entire Intersection Begins at 04:30 PM																					
04:30 PM	138	30	65	1	234	14	5	9	1	29	31	0	4	0	35	9	0	165	0	174	472
04:45 PM	162	27	61	1	251	16	11	13	0	40	28	0	4	0	32	12	0	188	0	200	523
05:00 PM	<b>194</b>	<b>55</b>	<b>92</b>	0	<b>341</b>	7	5	11	1	24	<b>44</b>	0	4	0	<b>48</b>	6	0	174	0	180	<b>593</b>
05:15 PM	178	42	56	0	276	16	4	8	0	28	27	0	3	0	30	10	0	<b>196</b>	0	<b>206</b>	540
Total Volume	672	154	274	2	1102	53	25	41	2	121	130	0	15	0	145	37	0	723	0	760	2128
% App. Total	61	14	24.9	0.2		43.8	20.7	33.9	1.7		89.7	0	10.3	0		4.9	0	95.1	0		
PHF	.866	.700	.745	.500	.808	.828	.568	.788	.500	.756	.739	.000	.938	.000	.755	.771	.000	.922	.000	.922	.897

