



MINNESOTA DEPT OF TRANSPORTATION

TRAFFIC DATA COLLECTION - METRO

I-494 at Nicollet Ave., north ramps
 Ref.Pt.: 004.357
 JAMAR # T-2638 CAH
 TURN MOVEMENT COUNT

File Name : I-494 at Nicollet Ave north ramps 2010
 Site Code : 00000000
 Start Date : 10/12/2010
 Page No : 1

Groups Printed- Cars & Trucks

Start Time	NICOLLET AVE. Southbound				ramp from I-494 WB Westbound				NICOLLET AVE. Northbound				ramp to I-494 WB Eastbound				Int. Total
	Left	Thru	Right	Peds	Left	Thru	Right	Peds	Left	Thru	Right	Peds	Left	Thru	Right	Peds	
06:00	0	39	25	0	30	0	19	0	26	25	0	1	0	0	0	0	165
06:15	0	37	29	0	52	0	15	0	24	37	0	0	0	0	0	0	194
06:30	0	53	49	2	37	0	21	0	49	42	0	1	0	0	0	0	254
06:45	0	55	42	1	48	0	18	0	41	51	0	0	0	0	0	0	256
Total	0	184	145	3	167	0	73	0	140	155	0	2	0	0	0	0	869
07:00	0	80	25	1	47	0	17	0	42	80	0	0	0	0	0	0	292
07:15	0	52	24	1	21	0	2	1	23	53	0	0	0	0	0	0	177
07:30	0	109	57	1	18	0	9	0	44	68	0	0	0	0	0	0	306
07:45	0	119	74	0	15	1	16	0	37	96	0	1	0	0	0	0	359
Total	0	360	180	3	101	1	44	1	146	297	0	1	0	0	0	0	1134
08:00	0	123	50	0	30	0	14	0	29	80	0	0	0	0	0	0	326
08:15	0	91	39	1	27	1	21	0	33	79	0	1	0	0	0	0	293
08:30	0	88	27	0	22	1	25	0	22	51	0	1	0	0	0	0	237
08:45	0	89	27	1	37	0	16	0	29	72	0	0	0	0	0	0	271
Total	0	391	143	2	116	2	76	0	113	282	0	2	0	0	0	0	1127
*** BREAK ***																	
15:00	0	128	40	0	45	0	34	0	52	124	0	3	0	0	0	0	426
15:15	0	112	46	0	54	0	43	1	45	110	0	1	0	0	0	0	412
15:30	0	127	40	1	36	0	26	0	46	133	0	3	0	0	0	0	412
15:45	0	110	26	0	82	0	50	0	28	142	0	0	0	0	0	0	438
Total	0	477	152	1	217	0	153	1	171	509	0	7	0	0	0	0	1688
16:00	0	143	32	1	43	0	29	0	41	136	0	0	0	0	0	0	425
16:15	0	130	29	0	43	0	39	0	31	128	0	3	0	0	0	0	403
16:30	0	144	36	2	44	0	41	0	45	113	0	0	0	0	0	0	425
16:45	0	148	28	0	56	0	50	0	30	123	0	1	0	0	0	0	436
Total	0	565	125	3	186	0	159	0	147	500	0	4	0	0	0	0	1689
17:00	0	153	45	1	30	1	42	2	31	121	0	1	0	0	0	0	427
17:15	0	152	34	0	31	0	36	0	17	134	0	0	0	0	0	0	404
17:30	0	163	19	1	40	0	31	0	27	117	0	1	0	0	0	0	399
17:45	0	135	37	0	49	0	39	0	19	139	0	2	0	0	0	0	420
Total	0	603	135	2	150	1	148	2	94	511	0	4	0	0	0	0	1650
Grand Total	0	2580	880	14	937	4	653	4	811	2254	0	20	0	0	0	0	8157
Apprch %	0	74.3	25.3	0.4	58.6	0.3	40.9	0.3	26.3	73.1	0	0.6	0	0	0	0	
Total %	0	31.6	10.8	0.2	11.5	0	8	0	9.9	27.6	0	0.2	0	0	0	0	



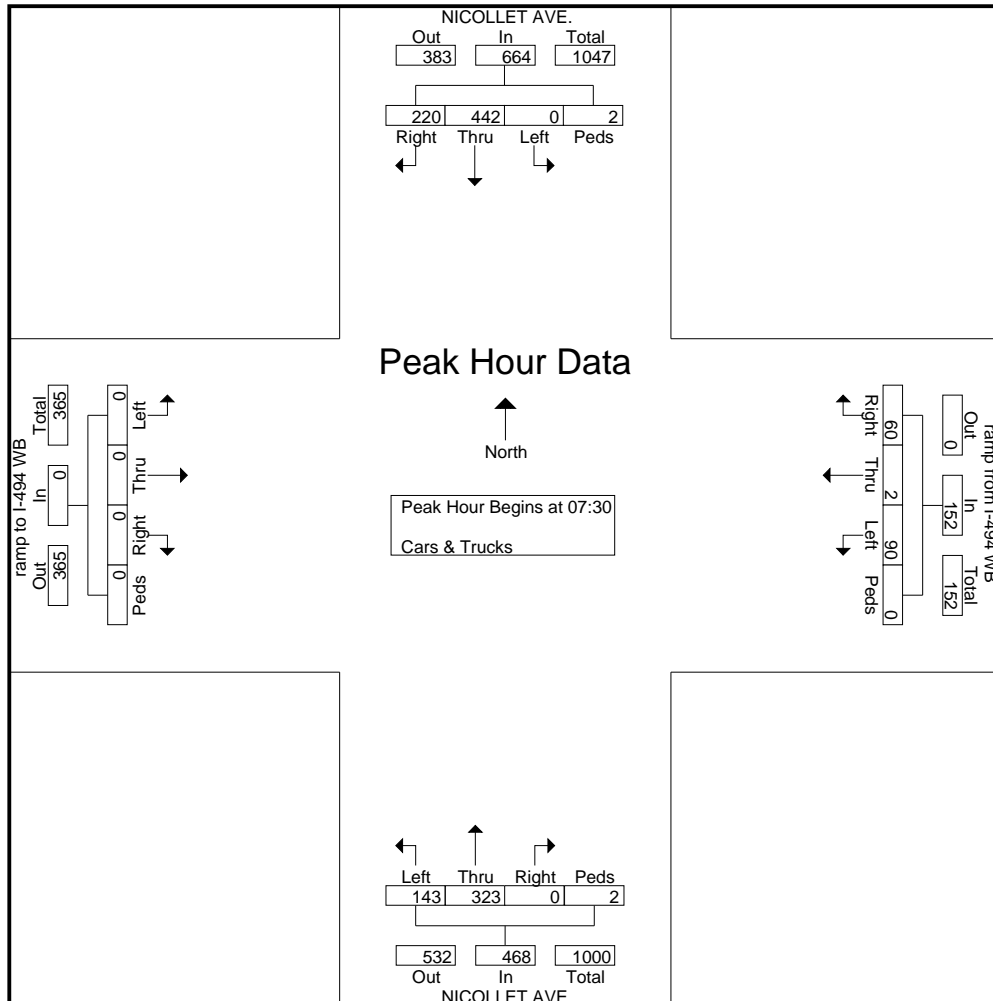
MINNESOTA DEPT OF TRANSPORTATION

TRAFFIC DATA COLLECTION - METRO

I-494 at Nicollet Ave., north ramps
 Ref.Pt.: 004.357
 JAMAR # T-2638 CAH
 TURN MOVEMENT COUNT

File Name : I-494 at Nicollet Ave north ramps 2010
 Site Code : 00000000
 Start Date : 10/12/2010
 Page No : 2

Start Time	NICOLLET AVE. Southbound					ramp from I-494 WB Westbound					NICOLLET AVE. Northbound					ramp to I-494 WB Eastbound					Int. Total
	Left	Thru	Right	Peds	App. Total	Left	Thru	Right	Peds	App. Total	Left	Thru	Right	Peds	App. Total	Left	Thru	Right	Peds	App. Total	
Peak Hour Analysis From 06:00 to 08:45 - Peak 1 of 1																					
Peak Hour for Entire Intersection Begins at 07:30																					
07:30	0	109	57	1	167	18	0	9	0	27	44	68	0	0	112	0	0	0	0	0	306
07:45	0	119	74	0	193	15	1	16	0	32	37	96	0	1	134	0	0	0	0	0	359
08:00	0	123	50	0	173	30	0	14	0	44	29	80	0	0	109	0	0	0	0	0	326
08:15	0	91	39	1	131	27	1	21	0	49	33	79	0	1	113	0	0	0	0	0	293
Total Volume	0	442	220	2	664	90	2	60	0	152	143	323	0	2	468	0	0	0	0	0	1284
% App. Total	0	66.6	33.1	0.3		59.2	1.3	39.5	0		30.6	69	0	0.4		0	0	0	0		
PHF	.000	.898	.743	.500	.860	.750	.500	.714	.000	.776	.813	.841	.000	.500	.873	.000	.000	.000	.000	.000	.894





MINNESOTA DEPT OF TRANSPORTATION

TRAFFIC DATA COLLECTION - METRO

I-494 at Nicollet Ave., north ramps
 Ref.Pt.: 004.357
 JAMAR # T-2638 CAH
 TURN MOVEMENT COUNT

File Name : I-494 at Nicollet Ave north ramps 2010
 Site Code : 00000000
 Start Date : 10/12/2010
 Page No : 3

Start Time	NICOLLET AVE. Southbound					ramp from I-494 WB Westbound					NICOLLET AVE. Northbound					ramp to I-494 WB Eastbound					Int. Total
	Left	Thru	Right	Peds	App. Total	Left	Thru	Right	Peds	App. Total	Left	Thru	Right	Peds	App. Total	Left	Thru	Right	Peds	App. Total	

Peak Hour Analysis From 15:00 to 17:45 - Peak 1 of 1
 Peak Hour for Entire Intersection Begins at 16:30

16:30	0	144	36	2	182	44	0	41	0	85	45	113	0	0	158	0	0	0	0	0	425
16:45	0	148	28	0	176	56	0	50	0	106	30	123	0	1	154	0	0	0	0	0	436
17:00	0	153	45	1	199	30	1	42	2	75	31	121	0	1	153	0	0	0	0	0	427
17:15	0	152	34	0	186	31	0	36	0	67	17	134	0	0	151	0	0	0	0	0	404
Total Volume	0	597	143	3	743	161	1	169	2	333	123	491	0	2	616	0	0	0	0	0	1692
% App. Total	0	80.3	19.2	0.4		48.3	0.3	50.8	0.6		20	79.7	0	0.3		0	0	0	0		
PHF	.000	.975	.794	.375	.933	.719	.250	.845	.250	.785	.683	.916	.000	.500	.975	.000	.000	.000	.000	.000	.970

