



MINNESOTA DEPT OF TRANSPORTATION

TRAFFIC DATA COLLECTION - METRO

Loc: I494 @ LYNDAL AVE File Name : I494 @ LYNDAL AVE NORTH RAMP AM NOON PM 2006
 N RAMP 2006 Site Code : 00000000
 REF. PT.: 004+00.854 Start Date : 2/15/2006
 Jamar# 1358/MAR Page No : 1

Groups Printed- Cars & Trucks

Start Time	LYNDAL AVE Southbound					I494 NORTH RAMP Westbound					LYNDAL AVE Northbound					n/a Eastbound					Int. Total
	Left	Thru	Right	Peds	App. Total	Left	Thru	Right	Peds	App. Total	Left	Thru	Right	Peds	App. Total	Left	Thru	Right	Peds	App. Total	
06:00	0	21	13	0	34	35	1	17	1	54	11	35	0	0	46	0	0	0	0	0	134
06:15	0	30	16	0	46	45	1	31	0	77	20	33	0	0	53	0	0	0	0	0	176
06:30	0	36	29	0	65	30	0	43	0	73	20	42	0	0	62	0	0	0	0	0	200
06:45	0	50	22	0	72	46	0	57	0	103	15	68	0	0	83	0	0	0	0	0	258
Total	0	137	80	0	217	156	2	148	1	307	66	178	0	0	244	0	0	0	0	0	768
07:00	0	54	30	0	84	38	0	64	0	102	25	87	0	1	113	0	0	0	0	0	299
07:15	0	64	27	0	91	49	0	70	0	119	30	96	0	0	126	0	0	0	0	0	336
07:30	0	69	38	0	107	26	1	37	0	64	24	89	0	0	113	0	0	0	0	0	284
07:45	0	86	40	0	126	35	2	51	0	88	38	123	0	0	161	0	0	0	0	0	375
Total	0	273	135	0	408	148	3	222	0	373	117	395	0	1	513	0	0	0	0	0	1294
08:00	0	92	38	0	130	35	1	84	0	120	30	107	0	0	137	0	0	0	0	0	387
08:15	0	61	29	0	90	28	3	70	0	101	28	98	0	0	126	0	0	0	0	0	317
08:30	0	63	28	0	91	39	2	43	0	84	24	100	0	0	124	0	0	0	0	0	299
08:45	0	61	41	0	102	43	2	67	0	112	25	109	0	0	134	0	0	0	0	0	348
Total	0	277	136	0	413	145	8	264	0	417	107	414	0	0	521	0	0	0	0	0	1351
10:45	0	94	55	1	150	28	1	43	0	72	73	101	0	1	175	0	0	0	0	0	397
Total	0	94	55	1	150	28	1	43	0	72	73	101	0	1	175	0	0	0	0	0	397
11:00	0	110	58	0	168	57	1	68	0	126	67	135	0	0	202	0	0	0	0	0	496
11:15	0	113	67	1	181	43	0	66	1	110	83	149	0	0	232	0	0	0	0	0	523
11:30	0	124	83	0	207	41	0	68	0	109	84	158	0	0	242	0	0	0	0	0	558
11:45	0	152	91	0	243	47	0	61	0	108	75	151	0	0	226	0	0	0	0	0	577
Total	0	499	299	1	799	188	1	263	1	453	309	593	0	0	902	0	0	0	0	0	2154
12:00	0	139	85	0	224	55	0	62	0	117	66	204	0	0	270	0	0	0	0	0	611
12:15	0	165	87	0	252	29	0	53	1	83	68	164	0	1	233	0	0	0	0	0	568
12:30	0	137	90	0	227	51	0	48	0	99	75	142	0	1	218	0	0	0	0	0	544
12:45	0	172	82	0	254	39	1	44	0	84	64	163	0	0	227	0	0	0	0	0	565
Total	0	613	344	0	957	174	1	207	1	383	273	673	0	2	948	0	0	0	0	0	2288
14:45	0	139	81	0	220	49	1	47	0	97	68	165	0	0	233	0	0	0	0	0	550
Total	0	139	81	0	220	49	1	47	0	97	68	165	0	0	233	0	0	0	0	0	550
15:00	0	127	69	0	196	39	2	45	0	86	90	140	0	0	230	0	0	0	0	0	512
15:15	0	128	72	0	200	36	0	48	0	84	64	144	0	0	208	0	0	0	0	0	492
15:30	0	163	95	0	258	46	0	42	0	88	52	146	0	0	198	0	0	0	0	0	544
15:45	0	136	64	0	200	35	0	42	0	77	58	129	0	0	187	0	0	0	0	0	464
Total	0	554	300	0	854	156	2	177	0	335	264	559	0	0	823	0	0	0	0	0	2012
16:00	0	164	72	2	238	35	0	71	0	106	77	143	0	1	221	0	0	0	0	0	565
16:15	0	178	89	0	267	39	0	46	0	85	67	158	0	2	227	0	0	0	0	0	579
16:30	0	185	84	1	270	41	0	77	1	119	57	145	0	0	202	0	0	0	0	0	591
16:45	0	174	87	0	261	51	0	69	0	120	69	175	0	0	244	0	0	0	0	0	625
Total	0	701	332	3	1036	166	0	263	1	430	270	621	0	3	894	0	0	0	0	0	2360



MINNESOTA DEPT OF TRANSPORTATION

TRAFFIC DATA COLLECTION - METRO

File Name : I494 @ LYNDAL AVE NORTH RAMP AM NOON PM 2006
 Site Code : 00000000
 Start Date : 2/15/2006
 Page No : 2

Groups Printed- Cars & Trucks

Start Time	LYNDAL AVE Southbound					I494 NORTH RAMP Westbound					LYNDAL AVE Northbound					n/a Eastbound					Int. Total
	Left	Thru	Right	Peds	App. Total	Left	Thru	Right	Peds	App. Total	Left	Thru	Right	Peds	App. Total	Left	Thru	Right	Peds	App. Total	
17:00	0	222	94	0	316	45	0	74	0	119	65	174	0	0	239	0	0	0	0	0	674
17:15	0	204	85	1	290	53	0	75	0	128	53	166	0	2	221	0	0	0	0	0	639
17:30	0	173	81	0	254	45	0	61	0	106	44	164	0	1	209	0	0	0	0	0	569
17:45	0	159	80	0	239	37	0	71	0	108	39	171	0	0	210	0	0	0	0	0	557
Total	0	758	340	1	1099	180	0	281	0	461	201	675	0	3	879	0	0	0	0	0	2439
Grand Total	0	4045	2102	6	6153	1390	19	1915	4	3328	1748	4374	0	10	6132	0	0	0	0	0	15613
Apprch %	0	65.7	34.2	0.1		41.8	0.6	57.5	0.1		28.5	71.3	0	0.2		0	0	0	0	0	
Total %	0	25.9	13.5	0	39.4	8.9	0.1	12.3	0	21.3	11.2	28	0	0.1	39.3	0	0	0	0	0	

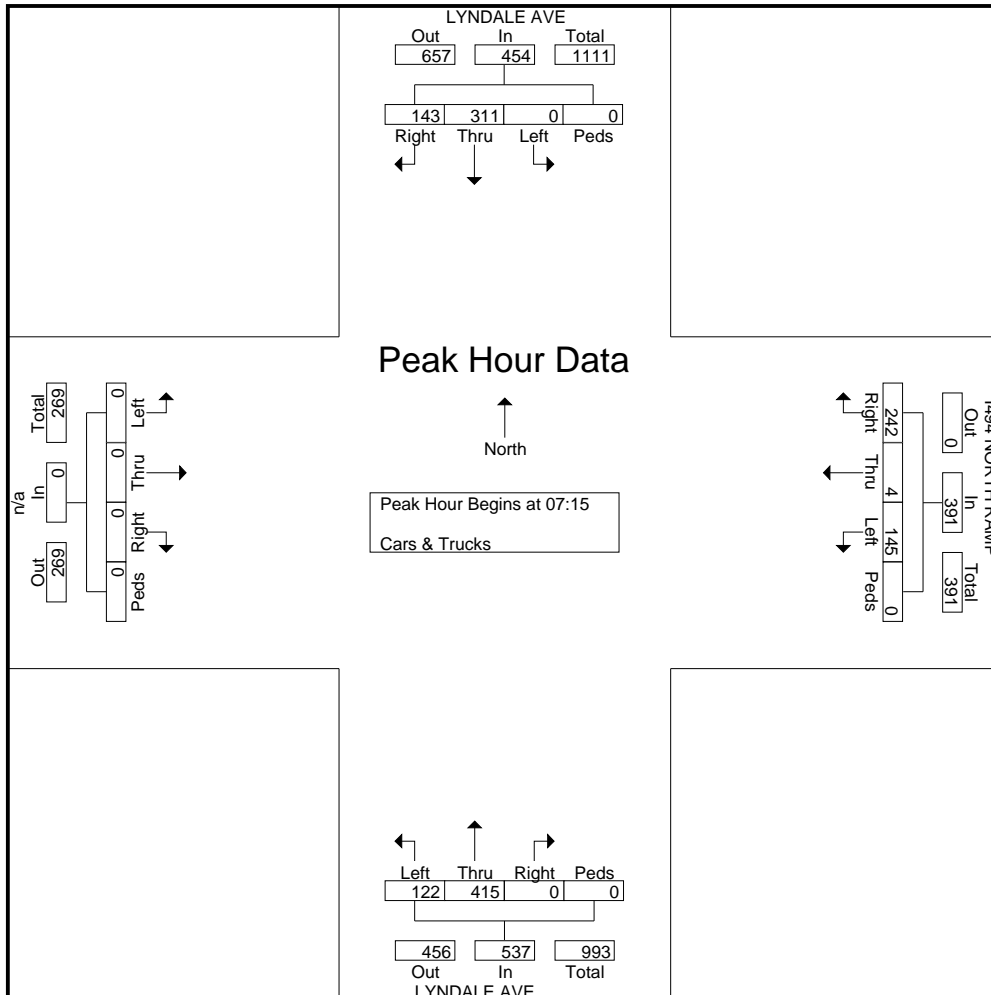


MINNESOTA DEPT OF TRANSPORTATION

TRAFFIC DATA COLLECTION - METRO

File Name : I494 @ LYNDALE AVE NORTH RAMP AM NOON PM 2006
 Site Code : 00000000
 Start Date : 2/15/2006
 Page No : 3

Start Time	LYNDALE AVE Southbound					I494 NORTH RAMP Westbound					LYNDALE AVE Northbound					n/a Eastbound					Int. Total
	Left	Thru	Right	Peds	App. Total	Left	Thru	Right	Peds	App. Total	Left	Thru	Right	Peds	App. Total	Left	Thru	Right	Peds	App. Total	
Peak Hour Analysis From 06:00 to 08:45 - Peak 1 of 1																					
Peak Hour for Entire Intersection Begins at 07:15																					
07:15	0	64	27	0	91	49	0	70	0	119	30	96	0	0	126	0	0	0	0	0	336
07:30	0	69	38	0	107	26	1	37	0	64	24	89	0	0	113	0	0	0	0	0	284
07:45	0	86	40	0	126	35	2	51	0	88	38	123	0	0	161	0	0	0	0	0	375
08:00	0	92	38	0	130	35	1	84	0	120	30	107	0	0	137	0	0	0	0	0	387
Total Volume	0	311	143	0	454	145	4	242	0	391	122	415	0	0	537	0	0	0	0	0	1382
% App. Total	0	68.5	31.5	0		37.1	1	61.9	0		22.7	77.3	0	0		0	0	0	0		
PHF	.000	.845	.894	.000	.873	.740	.500	.720	.000	.815	.803	.843	.000	.000	.834	.000	.000	.000	.000	.000	.893





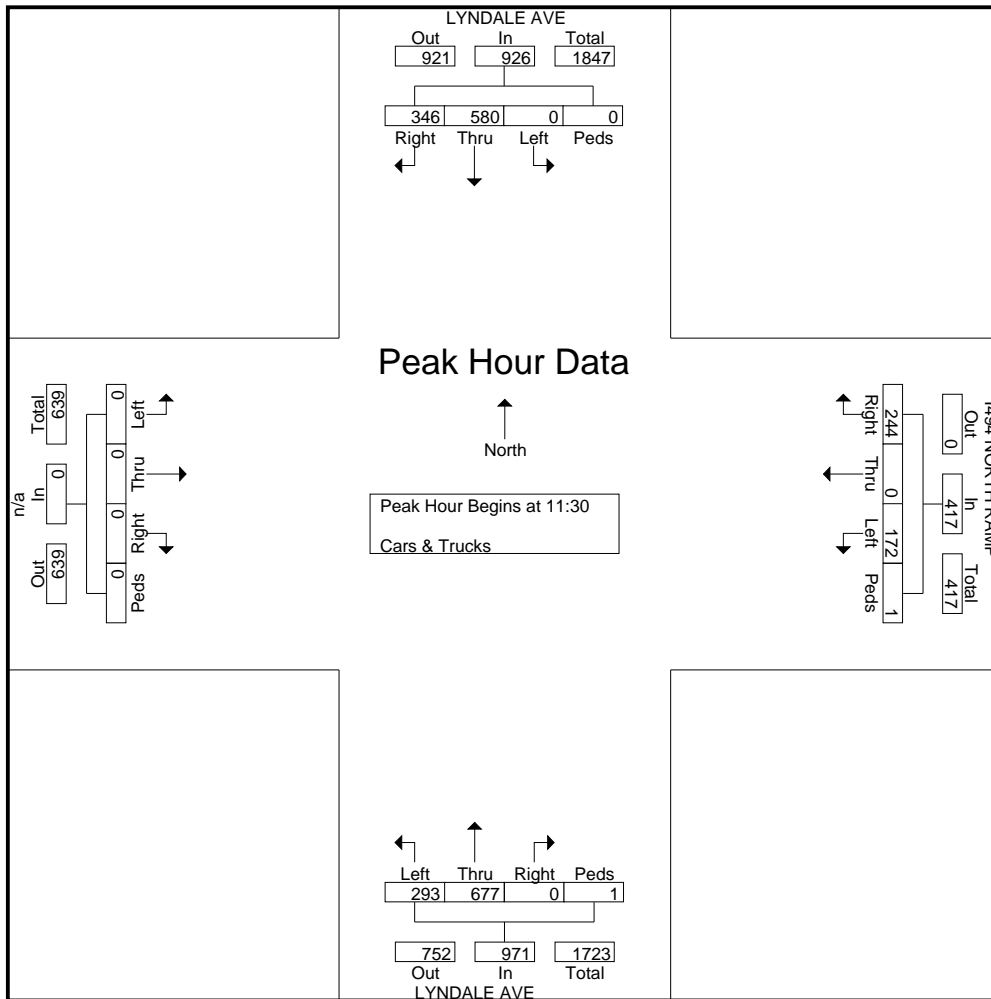
MINNESOTA DEPT OF TRANSPORTATION

TRAFFIC DATA COLLECTION - METRO

File Name : I494 @ LYNDALE AVE NORTH RAMP AM NOON PM 2006
 Site Code : 00000000
 Start Date : 2/15/2006
 Page No : 4

Start Time	LYNDALE AVE Southbound					I494 NORTH RAMP Westbound					LYNDALE AVE Northbound					n/a Eastbound					Int. Total
	Left	Thru	Right	Peds	App. Total	Left	Thru	Right	Peds	App. Total	Left	Thru	Right	Peds	App. Total	Left	Thru	Right	Peds	App. Total	
11:30	0	124	83	0	207	41	0	68	0	109	84	158	0	0	242	0	0	0	0	0	558
11:45	0	152	91	0	243	47	0	61	0	108	75	151	0	0	226	0	0	0	0	0	577
12:00	0	139	85	0	224	55	0	62	0	117	66	204	0	0	270	0	0	0	0	0	611
12:15	0	165	87	0	252	29	0	53	1	83	68	164	0	1	233	0	0	0	0	0	568
Total Volume	0	580	346	0	926	172	0	244	1	417	293	677	0	1	971	0	0	0	0	0	2314
% App. Total	0	62.6	37.4	0		41.2	0	58.5	0.2		30.2	69.7	0	0.1		0	0	0	0		
PHF	.000	.879	.951	.000	.919	.782	.000	.897	.250	.891	.872	.830	.000	.250	.899	.000	.000	.000	.000	.000	.947

Peak Hour Analysis From 10:00 to 12:45 - Peak 1 of 1
 Peak Hour for Entire Intersection Begins at 11:30





MINNESOTA DEPT OF TRANSPORTATION

TRAFFIC DATA COLLECTION - METRO

File Name : I494 @ LYNDALE AVE NORTH RAMP AM NOON PM 2006
 Site Code : 00000000
 Start Date : 2/15/2006
 Page No : 5

Start Time	LYNDALE AVE Southbound					I494 NORTH RAMP Westbound					LYNDALE AVE Northbound					n/a Eastbound					Int. Total
	Left	Thru	Right	Peds	App. Total	Left	Thru	Right	Peds	App. Total	Left	Thru	Right	Peds	App. Total	Left	Thru	Right	Peds	App. Total	
16:30	0	185	84	1	270	41	0	77	1	119	57	145	0	0	202	0	0	0	0	0	591
16:45	0	174	87	0	261	51	0	69	0	120	69	175	0	0	244	0	0	0	0	0	625
17:00	0	222	94	0	316	45	0	74	0	119	65	174	0	0	239	0	0	0	0	0	674
17:15	0	204	85	1	290	53	0	75	0	128	53	166	0	2	221	0	0	0	0	0	639
Total Volume	0	785	350	2	1137	190	0	295	1	486	244	660	0	2	906	0	0	0	0	0	2529
% App. Total	0	69	30.8	0.2		39.1	0	60.7	0.2		26.9	72.8	0	0.2		0	0	0	0		
PHF	.000	.884	.931	.500	.900	.896	.000	.958	.250	.949	.884	.943	.000	.250	.928	.000	.000	.000	.000	.000	.938

Peak Hour Analysis From 13:45 to 17:45 - Peak 1 of 1
 Peak Hour for Entire Intersection Begins at 16:30

