

# Albeck Gerken, Inc

Transportation Engineers

Traffic Data Collection

Tamarack Rd at Bielenburg Drive  
Woodbury, MN  
Ref.Pt: east of I-494  
TURN MOVEMENT COUNT

File Name : 18 Tamarack Rd & Bielenburg Dr  
Site Code : 18  
Start Date : 1/13/2012  
Page No : 1

## Groups Printed- Cars - Heavy Vehicles

Start Time	Bielenburg Drive Southbound				Tamarack Rd Westbound				Bielenburg Drive Northbound				Tamarack Rd Eastbound				Int. Total
	Left	Thru	Right	Peds	Left	Thru	Right	Peds	Left	Thru	Right	Peds	Left	Thru	Right	Peds	
06:00	0	1	10	0	11	61	2	0	26	1	10	0	12	15	13	0	162
06:15	0	7	11	0	12	50	0	0	47	12	5	0	21	14	15	0	194
06:30	0	8	6	0	14	88	0	0	66	10	3	0	18	27	16	0	256
06:45	0	4	13	0	22	104	4	0	60	9	7	1	47	42	27	0	340
Total	0	20	40	0	59	303	6	0	199	32	25	1	98	98	71	0	952
07:00	2	17	18	0	46	141	3	0	58	14	8	0	58	57	28	0	450
07:15	1	8	14	2	20	141	9	0	66	17	16	0	86	56	38	0	474
07:30	0	7	22	0	28	157	7	0	67	18	12	1	72	88	29	0	508
07:45	1	10	26	0	40	151	10	0	49	27	14	0	160	98	47	0	633
Total	4	42	80	2	134	590	29	0	240	76	50	1	376	299	142	0	2065
08:00	0	7	13	0	34	132	9	0	64	18	19	0	93	82	44	1	516
08:15	3	9	28	0	21	103	5	0	46	25	40	0	67	76	22	0	445
08:30	0	11	19	0	29	103	5	0	49	24	22	0	72	66	27	0	427
08:45	3	14	13	0	23	79	2	0	45	20	35	0	57	85	51	0	427
Total	6	41	73	0	107	417	21	0	204	87	116	0	289	309	144	1	1815
09:00	1	9	10	0	38	77	3	0	33	27	29	0	47	63	26	0	363
09:15	7	9	13	0	29	77	4	0	44	30	35	0	36	80	27	0	391
09:30	3	12	20	0	34	71	1	0	41	15	50	0	32	88	25	0	392
09:45	2	17	27	0	26	54	4	0	43	12	37	0	41	57	32	0	352
Total	13	47	70	0	127	279	12	0	161	84	151	0	156	288	110	0	1498
10:00	3	10	27	0	34	59	1	0	25	19	38	0	27	64	30	0	337
10:15	2	21	21	0	32	75	3	0	29	22	43	0	24	61	24	0	357
10:30	2	13	16	0	40	64	7	0	42	16	43	1	22	67	22	0	355
10:45	5	11	23	0	45	69	4	0	20	16	49	0	29	66	33	0	370
Total	12	55	87	0	151	267	15	0	116	73	173	1	102	258	109	0	1419
11:00	4	17	23	0	48	67	3	0	21	21	67	0	25	82	33	0	411
11:15	4	18	31	0	32	74	6	0	17	23	60	0	41	87	30	0	423
11:30	10	33	12	0	51	88	3	0	32	23	55	0	31	99	24	0	461
11:45	13	47	20	0	66	84	10	0	32	27	42	0	43	101	37	0	522
Total	31	115	86	0	197	313	22	0	102	94	224	0	140	369	124	0	1817
12:00	14	41	22	0	60	86	1	0	40	31	88	0	42	86	22	0	533
12:15	10	32	15	0	52	68	15	0	33	37	68	0	38	85	40	0	493
12:30	4	24	18	0	41	78	13	0	27	30	60	0	34	77	23	0	429
12:45	4	29	21	0	40	90	11	0	30	41	64	0	32	100	23	0	485
Total	32	126	76	0	193	322	40	0	130	139	280	0	146	348	108	0	1940
13:00	2	26	29	0	62	73	9	0	31	39	45	0	29	77	26	0	448
13:15	11	23	27	0	44	89	5	0	24	24	71	0	32	103	29	0	482
13:30	4	22	15	0	58	73	7	0	32	30	60	0	27	92	27	0	447
13:45	2	13	11	0	60	86	6	0	23	21	47	0	31	78	26	0	404
Total	19	84	82	0	224	321	27	0	110	114	223	0	119	350	108	0	1781
14:00	9	27	34	0	45	86	0	0	28	22	61	0	21	86	38	0	457
14:15	7	24	37	0	54	112	3	0	35	28	43	0	21	86	38	0	488
14:30	7	21	44	0	51	82	7	0	33	21	49	0	22	123	41	0	501
14:45	5	16	29	0	44	69	3	0	34	21	44	0	36	124	52	0	477
Total	28	88	144	0	194	349	13	0	130	92	197	0	100	419	169	0	1923
15:00	3	34	28	0	50	91	5	0	31	26	44	0	26	121	41	0	500
15:15	3	20	16	0	54	89	1	0	30	21	60	0	22	139	55	0	510
15:30	11	24	26	0	55	92	3	0	48	19	72	0	24	131	44	0	549
15:45	9	21	24	0	56	64	3	0	25	24	55	0	27	164	66	0	538
Total	26	99	94	0	215	336	12	0	134	90	231	0	99	555	206	0	2097

# Albeck Gerken, Inc

Transportation Engineers

Traffic Data Collection

Tamarack Rd at Bielenburg Drive  
Woodbury, MN  
Ref.Pt: east of I-494  
TURN MOVEMENT COUNT

File Name : 18 Tamarack Rd & Bielenburg Dr  
Site Code : 18  
Start Date : 1/13/2012  
Page No : 2

## Groups Printed- Cars - Heavy Vehicles

Start Time	Bielenburg Drive Southbound				Tamarack Rd Westbound				Bielenburg Drive Northbound				Tamarack Rd Eastbound				Int. Total
	Left	Thru	Right	Peds	Left	Thru	Right	Peds	Left	Thru	Right	Peds	Left	Thru	Right	Peds	
16:00	12	38	61	0	61	88	2	0	43	22	72	1	29	142	67	0	638
16:15	3	37	51	1	61	91	0	0	40	27	56	0	44	198	68	0	677
16:30	10	50	35	5	53	101	4	0	74	39	55	0	37	201	74	0	738
16:45	17	46	60	0	86	109	2	0	46	30	105	0	44	234	100	0	879
Total	42	171	207	6	261	389	8	0	203	118	288	1	154	775	309	0	2932
17:00	2	44	84	1	86	142	5	0	64	34	100	0	36	220	92	0	910
17:15	5	45	49	0	73	95	2	0	66	22	73	0	46	201	101	1	779
17:30	6	37	41	0	60	126	5	0	62	28	82	1	35	210	75	1	769
17:45	4	35	19	0	52	95	1	0	44	28	79	2	38	205	85	0	687
Total	17	161	193	1	271	458	13	0	236	112	334	3	155	836	353	2	3145
18:00	15	31	51	0	71	141	2	0	50	13	68	0	34	141	79	0	696
18:15	9	21	37	0	60	113	6	0	34	17	60	1	19	136	57	0	570
18:30	5	20	24	0	53	97	3	0	44	17	42	0	13	116	43	0	477
18:45	6	10	19	0	55	87	3	4	39	17	58	0	17	106	49	0	470
Total	35	82	131	0	239	438	14	4	167	64	228	1	83	499	228	0	2213
Grand Total	265	1131	1363	9	2372	4782	232	4	2132	1175	2520	8	2017	5403	2181	3	25597
Apprch %	9.6	40.9	49.2	0.3	32.1	64.7	3.1	0.1	36.5	20.1	43.2	0.1	21	56.3	22.7	0	
Total %	1	4.4	5.3	0	9.3	18.7	0.9	0	8.3	4.6	9.8	0	7.9	21.1	8.5	0	
Cars	260	1112	1308	9	2350	4697	229	4	2111	1154	2495	8	1966	5328	2134	3	25168
% Cars	98.1	98.3	96	100	99.1	98.2	98.7	100	99	98.2	99	100	97.5	98.6	97.8	100	98.3
Heavy Vehicles	5	19	55	0	22	85	3	0	21	21	25	0	51	75	47	0	429
% Heavy Vehicles	1.9	1.7	4	0	0.9	1.8	1.3	0	1	1.8	1	0	2.5	1.4	2.2	0	1.7

# Albeck Gerken, Inc

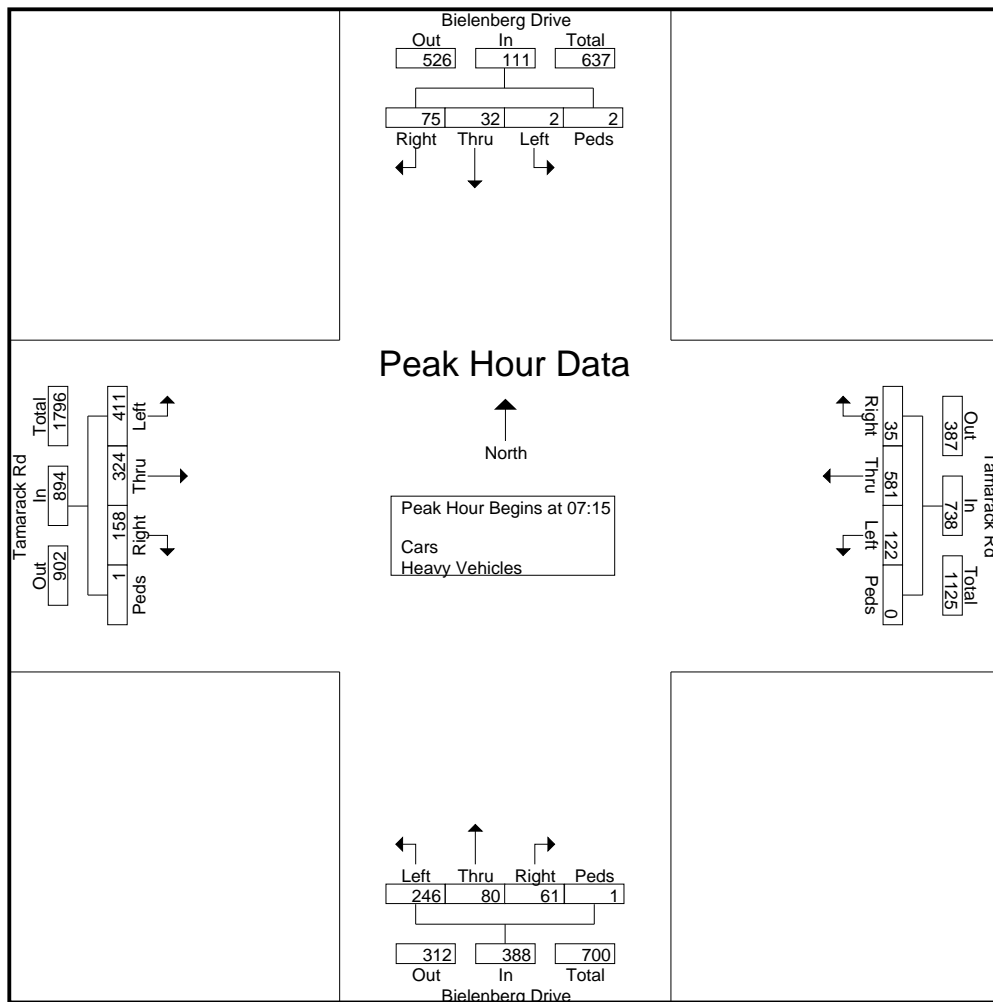
Transportation Engineers

Traffic Data Collection

Tamarack Rd at Bielenburg Drive  
 Woodbury, MN  
 Ref.Pt: east of I-494  
 TURN MOVEMENT COUNT

File Name : 18 Tamarack Rd & Bielenberg Dr  
 Site Code : 18  
 Start Date : 1/13/2012  
 Page No : 3

Start Time	Bielenberg Drive Southbound					Tamarack Rd Westbound					Bielenberg Drive Northbound					Tamarack Rd Eastbound					Int. Total
	Left	Thru	Right	Peds	App. Total	Left	Thru	Right	Peds	App. Total	Left	Thru	Right	Peds	App. Total	Left	Thru	Right	Peds	App. Total	
Peak Hour Analysis From 06:00 to 09:00 - Peak 1 of 1																					
Peak Hour for Entire Intersection Begins at 07:15																					
07:15	1	8	14	2	25	20	141	9	0	170	66	17	16	0	99	86	56	38	0	180	474
07:30	0	7	22	0	29	28	157	7	0	192	67	18	12	1	98	72	88	29	0	189	508
07:45	1	10	26	0	37	40	151	10	0	201	49	27	14	0	90	160	98	47	0	305	633
08:00	0	7	13	0	20	34	132	9	0	175	64	18	19	0	101	93	82	44	1	220	516
Total Volume	2	32	75	2	111	122	581	35	0	738	246	80	61	1	388	411	324	158	1	894	2131
% App. Total	1.8	28.8	67.6	1.8		16.5	78.7	4.7	0		63.4	20.6	15.7	0.3		46	36.2	17.7	0.1		
PHF	.500	.800	.721	.250	.750	.763	.925	.875	.000	.918	.918	.741	.803	.250	.960	.642	.827	.840	.250	.733	.842



# Albeck Gerken, Inc

Transportation Engineers

Traffic Data Collection

Tamarack Rd at Bielenburg Drive  
 Woodbury, MN  
 Ref.Pt: east of I-494  
 TURN MOVEMENT COUNT

File Name : 18 Tamarack Rd & Bielenberg Dr  
 Site Code : 18  
 Start Date : 1/13/2012  
 Page No : 4

Start Time	Bielenberg Drive Southbound					Tamarack Rd Westbound					Bielenberg Drive Northbound					Tamarack Rd Eastbound					Int. Total
	Left	Thru	Right	Peds	App. Total	Left	Thru	Right	Peds	App. Total	Left	Thru	Right	Peds	App. Total	Left	Thru	Right	Peds	App. Total	
Peak Hour Analysis From 15:00 to 18:45 - Peak 1 of 1																					
Peak Hour for Entire Intersection Begins at 16:45																					
16:45	17	46	60	0	123	86	109	2	0	197	46	30	105	0	181	44	234	100	0	378	879
17:00	2	44	84	1	131	86	142	5	0	233	64	34	100	0	198	36	220	92	0	348	910
17:15	5	45	49	0	99	73	95	2	0	170	66	22	73	0	161	46	201	101	1	349	779
17:30	6	37	41	0	84	60	126	5	0	191	62	28	82	1	173	35	210	75	1	321	769
Total Volume	30	172	234	1	437	305	472	14	0	791	238	114	360	1	713	161	865	368	2	1396	3337
% App. Total	6.9	39.4	53.5	0.2		38.6	59.7	1.8	0		33.4	16	50.5	0.1		11.5	62	26.4	0.1		
PHF	.441	.935	.696	.250	.834	.887	.831	.700	.000	.849	.902	.838	.857	.250	.900	.875	.924	.911	.500	.923	.917

