



MINNESOTA DEPT OF TRANSPORTATION

TRAFFIC DATA COLLECTION - METRO

I-694 at TH-120 / Century Ave, N ramps

File Name : I-694 at TH-120 North Ramp 2008

Ref.Pt.: 051.351

Site Code : 69412000

JAMAR # D4-3365 CH

Start Date : 9/18/2008

TURN MOVEMENT COUNT

Page No : 1

Groups Printed- Cars & Trucks

Start Time	TH-120 / Century Ave. Southbound				ramp from I-694 WB Westbound				TH-120 / Century Ave. Northbound				Ramp to I-694 WB Eastbound				Int. Total
	Left	Thru	Right	Peds	Left	Thru	Right	Peds	Left	Thru	Right	Peds	Left	Thru	Right	Peds	
06:00	0	55	86	0	0	0	24	0	31	46	0	0	0	0	0	0	242
06:15	0	82	130	0	3	0	38	0	46	80	0	0	0	0	0	0	379
06:30	0	118	159	0	7	0	53	0	66	86	0	0	0	0	0	0	489
06:45	0	115	152	0	4	1	75	0	47	116	0	0	0	0	0	0	510
Total	0	370	527	0	14	1	190	0	190	328	0	0	0	0	0	0	1620
07:00	0	144	180	0	4	0	103	0	64	201	0	0	0	0	0	0	696
07:15	0	127	140	0	8	1	154	0	54	309	0	0	0	0	0	0	793
07:30	0	167	129	0	5	1	142	0	47	377	0	0	0	0	0	0	868
07:45	0	144	126	0	8	0	130	0	60	230	0	0	0	0	0	0	698
Total	0	582	575	0	25	2	529	0	225	1117	0	0	0	0	0	0	3055
08:00	0	119	130	0	4	0	86	1	30	171	0	0	0	0	0	0	541
08:15	0	120	139	0	10	0	101	0	45	203	0	0	0	0	0	0	618
08:30	0	138	144	0	5	1	111	0	44	277	0	0	0	0	0	0	720
08:45	0	141	139	0	7	0	95	1	54	178	0	0	0	0	0	0	615
Total	0	518	552	0	26	1	393	2	173	829	0	0	0	0	0	0	2494
*** BREAK ***																	
11:00	0	153	147	0	5	1	48	0	35	151	0	0	0	0	0	0	540
11:15	0	106	99	0	9	0	60	0	33	148	0	0	0	0	0	0	455
11:30	0	121	105	0	3	0	53	0	32	171	0	0	0	0	0	0	485
11:45	0	164	132	0	9	1	64	0	35	204	0	1	0	0	0	0	610
Total	0	544	483	0	26	2	225	0	135	674	0	1	0	0	0	0	2090
12:00	0	162	149	0	8	0	54	0	47	195	0	0	0	0	0	0	615
12:15	0	181	180	1	7	0	78	0	37	223	0	0	0	0	0	0	707
12:30	0	161	135	0	9	0	84	0	31	230	0	0	0	0	0	0	650
12:45	0	114	116	0	3	0	71	0	53	204	0	0	0	0	0	0	561
Total	0	618	580	1	27	0	287	0	168	852	0	0	0	0	0	0	2533
*** BREAK ***																	
15:00	0	148	148	0	13	1	67	0	49	199	0	0	0	0	0	0	625
15:15	0	157	145	0	12	0	89	0	50	233	0	0	0	0	0	0	686
15:30	0	205	190	0	9	0	90	0	49	243	0	0	0	0	0	0	786
15:45	0	212	178	0	22	1	101	0	54	239	0	0	0	0	0	0	807
Total	0	722	661	0	56	2	347	0	202	914	0	0	0	0	0	0	2904
16:00	0	150	149	0	13	1	87	0	47	207	0	0	0	0	0	0	654
16:15	0	150	128	0	21	1	116	0	41	225	0	0	0	0	0	0	682
16:30	0	173	111	0	18	0	86	0	46	220	0	0	0	0	0	0	654
16:45	0	162	97	0	13	0	93	0	51	240	0	0	0	0	0	0	656
Total	0	635	485	0	65	2	382	0	185	892	0	0	0	0	0	0	2646
17:00	0	143	111	0	13	0	118	0	56	264	0	0	0	0	0	0	705
17:15	0	184	129	0	17	0	139	0	50	322	0	0	0	0	0	0	841
17:30	0	184	141	0	14	0	125	0	43	333	0	0	0	0	0	0	840
17:45	0	167	125	0	31	0	191	0	37	367	0	0	0	0	0	0	918
Total	0	678	506	0	75	0	573	0	186	1286	0	0	0	0	0	0	3304
Grand Total	0	4667	4369	1	314	10	2926	2	1464	6892	0	1	0	0	0	0	20646
Apprch %	0	51.6	48.3	0	9.7	0.3	90	0.1	17.5	82.5	0	0	0	0	0	0	
Total %	0	22.6	21.2	0	1.5	0	14.2	0	7.1	33.4	0	0	0	0	0	0	



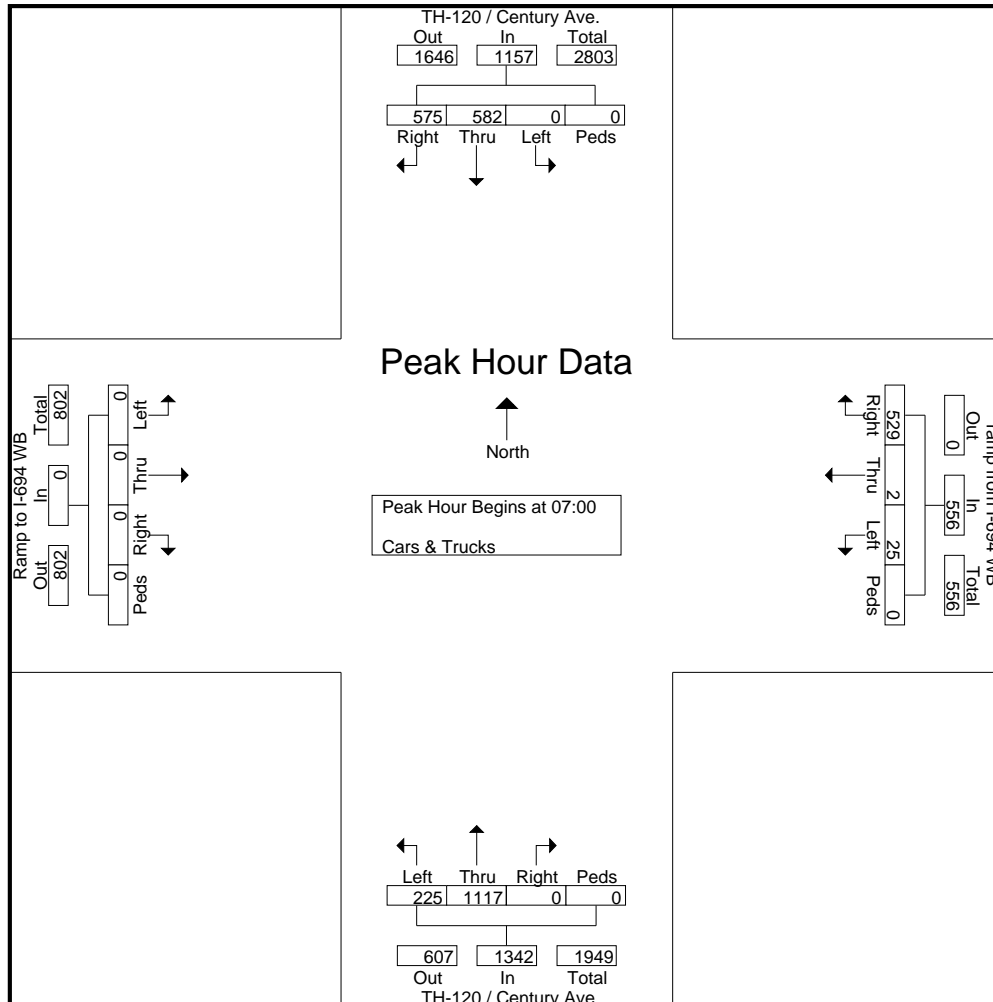
MINNESOTA DEPT OF TRANSPORTATION

TRAFFIC DATA COLLECTION - METRO

I-694 at TH-120 / Century Ave, N ramps
 Ref.Pt.: 051.351
 JAMAR # D4-3365 CH
 TURN MOVEMENT COUNT

File Name : I-694 at TH-120 North Ramp 2008
 Site Code : 69412000
 Start Date : 9/18/2008
 Page No : 2

Start Time	TH-120 / Century Ave. Southbound					ramp from I-694 WB Westbound					TH-120 / Century Ave. Northbound					Ramp to I-694 WB Eastbound					Int. Total
	Left	Thru	Right	Peds	App. Total	Left	Thru	Right	Peds	App. Total	Left	Thru	Right	Peds	App. Total	Left	Thru	Right	Peds	App. Total	
Peak Hour Analysis From 06:00 to 08:45 - Peak 1 of 1																					
Peak Hour for Entire Intersection Begins at 07:00																					
07:00	0	144	180	0	324	4	0	103	0	107	64	201	0	0	265	0	0	0	0	0	696
07:15	0	127	140	0	267	8	1	154	0	163	54	309	0	0	363	0	0	0	0	0	793
07:30	0	167	129	0	296	5	1	142	0	148	47	377	0	0	424	0	0	0	0	0	868
07:45	0	144	126	0	270	8	0	130	0	138	60	230	0	0	290	0	0	0	0	0	698
Total Volume	0	582	575	0	1157	25	2	529	0	556	225	1117	0	0	1342	0	0	0	0	0	3055
% App. Total	0	50.3	49.7	0		4.5	0.4	95.1	0		16.8	83.2	0	0		0	0	0	0		
PHF	.000	.871	.799	.000	.893	.781	.500	.859	.000	.853	.879	.741	.000	.000	.791	.000	.000	.000	.000	.000	.880





MINNESOTA DEPT OF TRANSPORTATION

TRAFFIC DATA COLLECTION - METRO

I-694 at TH-120 / Century Ave, N ramps
 Ref.Pt.: 051.351
 JAMAR # D4-3365 CH
 TURN MOVEMENT COUNT

File Name : I-694 at TH-120 North Ramp 2008
 Site Code : 69412000
 Start Date : 9/18/2008
 Page No : 3

Start Time	TH-120 / Century Ave. Southbound					ramp from I-694 WB Westbound					TH-120 / Century Ave. Northbound					Ramp to I-694 WB Eastbound					Int. Total
	Left	Thru	Right	Peds	App. Total	Left	Thru	Right	Peds	App. Total	Left	Thru	Right	Peds	App. Total	Left	Thru	Right	Peds	App. Total	

Peak Hour Analysis From 15:00 to 17:45 - Peak 1 of 1
 Peak Hour for Entire Intersection Begins at 17:00

17:00	0	143	111	0	254	13	0	118	0	131	56	264	0	0	320	0	0	0	0	0	705
17:15	0	184	129	0	313	17	0	139	0	156	50	322	0	0	372	0	0	0	0	0	841
17:30	0	184	141	0	325	14	0	125	0	139	43	333	0	0	376	0	0	0	0	0	840
17:45	0	167	125	0	292	31	0	191	0	222	37	367	0	0	404	0	0	0	0	0	918
Total Volume	0	678	506	0	1184	75	0	573	0	648	186	1286	0	0	1472	0	0	0	0	0	3304
% App. Total	0	57.3	42.7	0		11.6	0	88.4	0		12.6	87.4	0	0		0	0	0	0		
PHF	.000	.921	.897	.000	.911	.605	.000	.750	.000	.730	.830	.876	.000	.000	.911	.000	.000	.000	.000	.000	.900

