



# MINNESOTA DEPT OF TRANSPORTATION

## TRAFFIC DATA COLLECTION - METRO

Location: TH-7 AT TH-100 WEST RAMPS  
 Ref.Pt.: 005+00.899  
 JAMAR# 634 DR  
 TURN MOVEMENT COUNT

File Name : TH 7 AT TH 100 WEST RAMPS 2007  
 Site Code : 00000000  
 Start Date : 5/31/2007  
 Page No : 1

Groups Printed- Unshifted

Start Time	TH 100 Southbound				TH 7 W RAMPS Westbound				TH 100 Northbound				TH 7 W RAMPS Eastbound				Int. Total
	Left	Thru	Right	Peds	Left	Thru	Right	Peds	Left	Thru	Right	Peds	Left	Thru	Right	Peds	
06:00	32	0	0	0	0	45	0	0	0	0	0	0	8	89	0	0	174
06:15	42	0	0	0	0	48	0	0	0	0	0	0	12	113	0	0	215
06:30	53	0	0	0	0	84	0	0	0	0	0	0	18	147	0	0	302
06:45	74	0	0	0	0	104	0	0	0	0	0	0	18	188	0	0	384
Total	201	0	0	0	0	281	0	0	0	0	0	0	56	537	0	0	1075
07:00	57	0	0	0	0	112	0	0	0	0	0	0	35	221	0	0	425
07:15	69	0	0	0	0	165	0	0	0	0	0	0	22	343	0	0	599
07:30	84	0	0	0	0	177	0	0	0	0	0	0	49	349	0	0	659
07:45	99	0	0	0	0	205	0	0	0	0	0	0	37	371	0	0	712
Total	309	0	0	0	0	659	0	0	0	0	0	0	143	1284	0	0	2395
08:00	69	0	0	0	0	194	0	0	0	0	0	0	51	319	0	0	633
08:15	60	0	0	0	0	167	0	0	0	0	0	0	38	372	0	0	637
08:30	74	0	0	0	0	174	0	0	0	0	0	0	46	324	0	0	618
08:45	68	0	0	0	0	167	0	0	0	0	0	0	36	301	0	0	572
Total	271	0	0	0	0	702	0	0	0	0	0	0	171	1316	0	0	2460
*** BREAK ***																	
15:00	57	0	0	0	0	228	0	0	0	0	0	0	47	299	0	0	631
15:15	57	0	0	0	0	229	0	0	0	0	0	0	26	274	0	0	586
15:30	40	0	0	0	0	168	0	0	0	0	0	0	56	379	0	0	643
15:45	60	0	0	0	0	209	0	0	0	0	0	0	31	315	0	0	615
Total	214	0	0	0	0	834	0	0	0	0	0	0	160	1267	0	0	2475
16:00	56	0	0	0	0	219	0	0	0	0	0	0	43	403	0	0	721
16:15	44	0	0	0	0	231	0	0	0	0	0	0	36	354	0	0	665
16:30	47	0	0	0	0	252	0	0	0	0	0	0	36	377	0	0	712
16:45	46	0	0	0	0	266	0	0	0	0	0	0	35	425	0	0	772
Total	193	0	0	0	0	968	0	0	0	0	0	0	150	1559	0	0	2870
17:00	84	0	0	0	0	263	0	0	0	0	0	0	34	379	0	0	760
17:15	63	0	0	0	0	286	0	0	0	0	0	0	55	396	0	0	800
17:30	60	0	0	0	0	262	0	0	0	0	0	0	42	411	0	0	775
17:45	47	0	0	0	0	236	0	0	0	0	0	0	39	417	0	0	739
Total	254	0	0	0	0	1047	0	0	0	0	0	0	170	1603	0	0	3074
Grand Total	1442	0	0	0	0	4491	0	0	0	0	0	0	850	7566	0	0	14349
Approch %	100	0	0	0	0	100	0	0	0	0	0	0	10.1	89.9	0	0	
Total %	10	0	0	0	0	31.3	0	0	0	0	0	0	5.9	52.7	0	0	



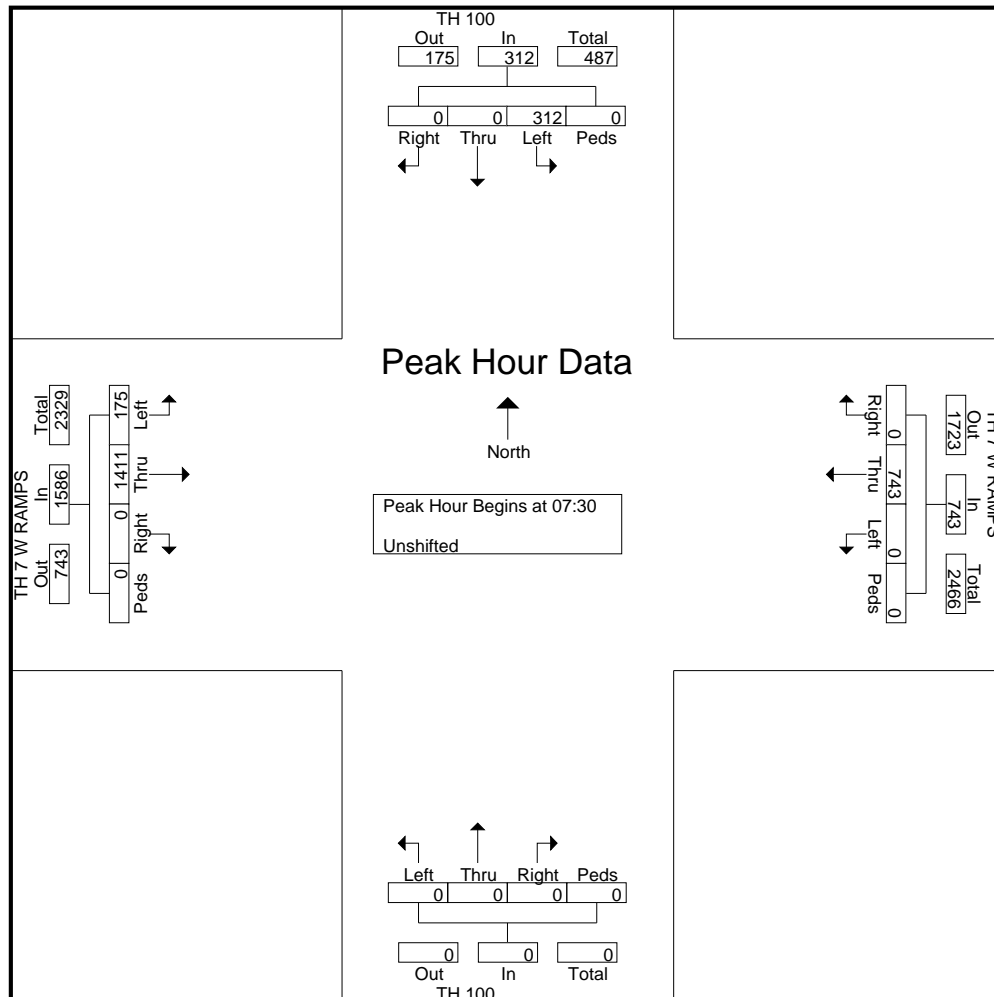
# MINNESOTA DEPT OF TRANSPORTATION

## TRAFFIC DATA COLLECTION - METRO

Location: TH-7 AT TH-100 WEST RAMPS  
 Ref.Pt.: 005+00.899  
 JAMAR# 634 DR  
 TURN MOVEMENT COUNT

File Name : TH 7 AT TH 100 WEST RAMPS 2007  
 Site Code : 00000000  
 Start Date : 5/31/2007  
 Page No : 2

Start Time	TH 100 Southbound					TH 7 W RAMPS Westbound					TH 100 Northbound					TH 7 W RAMPS Eastbound					Int. Total
	Left	Thru	Right	Peds	App. Total	Left	Thru	Right	Peds	App. Total	Left	Thru	Right	Peds	App. Total	Left	Thru	Right	Peds	App. Total	
<b>Peak Hour Analysis From 06:00 to 08:45 - Peak 1 of 1</b>																					
Peak Hour for Entire Intersection Begins at 07:30																					
07:30	84	0	0	0	84	0	177	0	0	177	0	0	0	0	0	49	349	0	0	398	659
07:45	<b>99</b>	0	0	0	<b>99</b>	0	<b>205</b>	0	0	<b>205</b>	0	0	0	0	0	37	371	0	0	408	<b>712</b>
08:00	69	0	0	0	69	0	194	0	0	194	0	0	0	0	0	<b>51</b>	319	0	0	370	633
08:15	60	0	0	0	60	0	167	0	0	167	0	0	0	0	0	38	<b>372</b>	0	0	<b>410</b>	637
Total Volume	312	0	0	0	312	0	743	0	0	743	0	0	0	0	0	175	1411	0	0	1586	2641
% App. Total	100	0	0	0		0	100	0	0		0	0	0	0		11	89	0	0		
PHF	.788	.000	.000	.000	.788	.000	.906	.000	.000	.906	.000	.000	.000	.000	.000	.858	.948	.000	.000	.967	.927





# MINNESOTA DEPT OF TRANSPORTATION

## TRAFFIC DATA COLLECTION - METRO

Location: TH-7 AT TH-100 WEST RAMPS  
 Ref.Pt.: 005+00.899  
 JAMAR# 634 DR  
 TURN MOVEMENT COUNT

File Name : TH 7 AT TH 100 WEST RAMPS 2007  
 Site Code : 00000000  
 Start Date : 5/31/2007  
 Page No : 3

Start Time	TH 100 Southbound					TH 7 W RAMPS Westbound					TH 100 Northbound					TH 7 W RAMPS Eastbound					Int. Total
	Left	Thru	Right	Peds	App. Total	Left	Thru	Right	Peds	App. Total	Left	Thru	Right	Peds	App. Total	Left	Thru	Right	Peds	App. Total	
<b>Peak Hour Analysis From 15:00 to 17:45 - Peak 1 of 1</b>																					
Peak Hour for Entire Intersection Begins at 16:45																					
16:45	46	0	0	0	46	0	266	0	0	266	0	0	0	0	0	35	425	0	0	460	772
17:00	84	0	0	0	84	0	263	0	0	263	0	0	0	0	0	34	379	0	0	413	760
17:15	63	0	0	0	63	0	286	0	0	286	0	0	0	0	0	55	396	0	0	451	800
17:30	60	0	0	0	60	0	262	0	0	262	0	0	0	0	0	42	411	0	0	453	775
Total Volume	253	0	0	0	253	0	1077	0	0	1077	0	0	0	0	0	166	1611	0	0	1777	3107
% App. Total	100	0	0	0		0	100	0	0		0	0	0	0		9.3	90.7	0	0		
PHF	.753	.000	.000	.000	.753	.000	.941	.000	.000	.941	.000	.000	.000	.000	.000	.755	.948	.000	.000	.966	.971

