



MINNESOTA DEPT OF TRANSPORTATION

TRAFFIC DATA COLLECTION - METRO

TH-100 AT TH-7, EAST RAMPS
 REF.PT.: 005.899
 JAMAR # 631 RE
 TURN MOVEMENT COUNT

File Name : TH-100 AT TH-7 EAST RAMPS ampm
 Site Code : 00000000
 Start Date : 7/11/2007
 Page No : 1

Groups Printed- Cars & Trucks

Start Time	RAMP FROM TH-100 NB Southbound				TH-7 Westbound				RAMP TO TH-100 NB Northbound				TH-7 Eastbound				Int. Total
	Left	Thru	Right	Peds	Left	Thru	Right	Peds	Left	Thru	Right	Peds	Left	Thru	Right	Peds	
06:00	0	0	0	0	0	32	15	0	8	0	14	0	65	53	0	0	187
06:15	0	0	0	0	0	56	20	0	10	0	24	0	61	116	0	0	287
06:30	0	0	0	0	0	100	30	0	19	1	24	0	63	141	0	0	378
06:45	0	0	0	0	0	121	34	0	18	0	19	0	63	167	0	0	422
Total	0	0	0	0	0	309	99	0	55	1	81	0	252	477	0	0	1274
07:00	0	0	0	0	0	125	58	1	38	0	35	0	91	188	0	0	536
07:15	0	0	0	0	0	169	51	0	21	0	35	0	137	278	0	0	691
07:30	0	0	0	0	0	245	70	0	26	0	32	0	163	296	0	0	832
07:45	0	0	0	0	0	226	72	0	44	0	35	0	145	330	0	0	852
Total	0	0	0	0	0	765	251	1	129	0	137	0	536	1092	0	0	2911
08:00	0	0	0	0	0	178	58	0	32	0	24	0	196	302	0	0	790
08:15	0	0	0	0	0	172	59	0	39	0	34	0	129	269	0	0	702
08:30	0	0	0	0	0	171	46	0	39	0	42	0	140	251	0	0	689
08:45	0	0	0	0	0	177	58	0	52	0	47	0	140	234	0	0	708
Total	0	0	0	0	0	698	221	0	162	0	147	0	605	1056	0	0	2889
*** BREAK ***																	
15:00	0	0	0	0	0	199	77	0	51	0	24	0	163	190	0	0	704
15:15	0	0	0	0	0	189	53	0	53	0	42	0	121	195	0	0	653
15:30	0	0	0	0	0	175	53	0	40	0	26	0	199	223	0	2	718
15:45	0	0	0	0	0	182	54	0	58	0	44	0	169	225	0	0	732
Total	0	0	0	0	0	745	237	0	202	0	136	0	652	833	0	2	2807
16:00	0	0	0	0	0	218	57	0	56	0	44	0	217	233	0	0	825
16:15	0	0	0	0	0	181	59	1	49	0	44	0	203	250	0	0	787
16:30	0	0	0	0	0	228	78	0	62	0	62	0	182	238	0	0	850
16:45	0	0	0	0	0	261	63	0	71	1	60	0	212	298	0	0	966
Total	0	0	0	0	0	888	257	1	238	1	210	0	814	1019	0	0	3428
17:00	0	0	0	0	0	264	78	0	52	0	52	0	240	299	0	0	985
17:15	0	0	0	0	0	261	48	0	83	0	62	0	209	311	0	0	974
17:30	0	0	0	0	0	247	53	0	80	0	54	0	208	321	0	0	963
17:45	0	0	0	0	0	197	56	0	79	1	66	0	202	295	0	0	896
Total	0	0	0	0	0	969	235	0	294	1	234	0	859	1226	0	0	3818
Grand Total	0	0	0	0	0	4374	1300	2	1080	3	945	0	3718	5703	0	2	17127
Apprch %	0	0	0	0	0	77.1	22.9	0	53.3	0.1	46.6	0	39.5	60.5	0	0	
Total %	0	0	0	0	0	25.5	7.6	0	6.3	0	5.5	0	21.7	33.3	0	0	



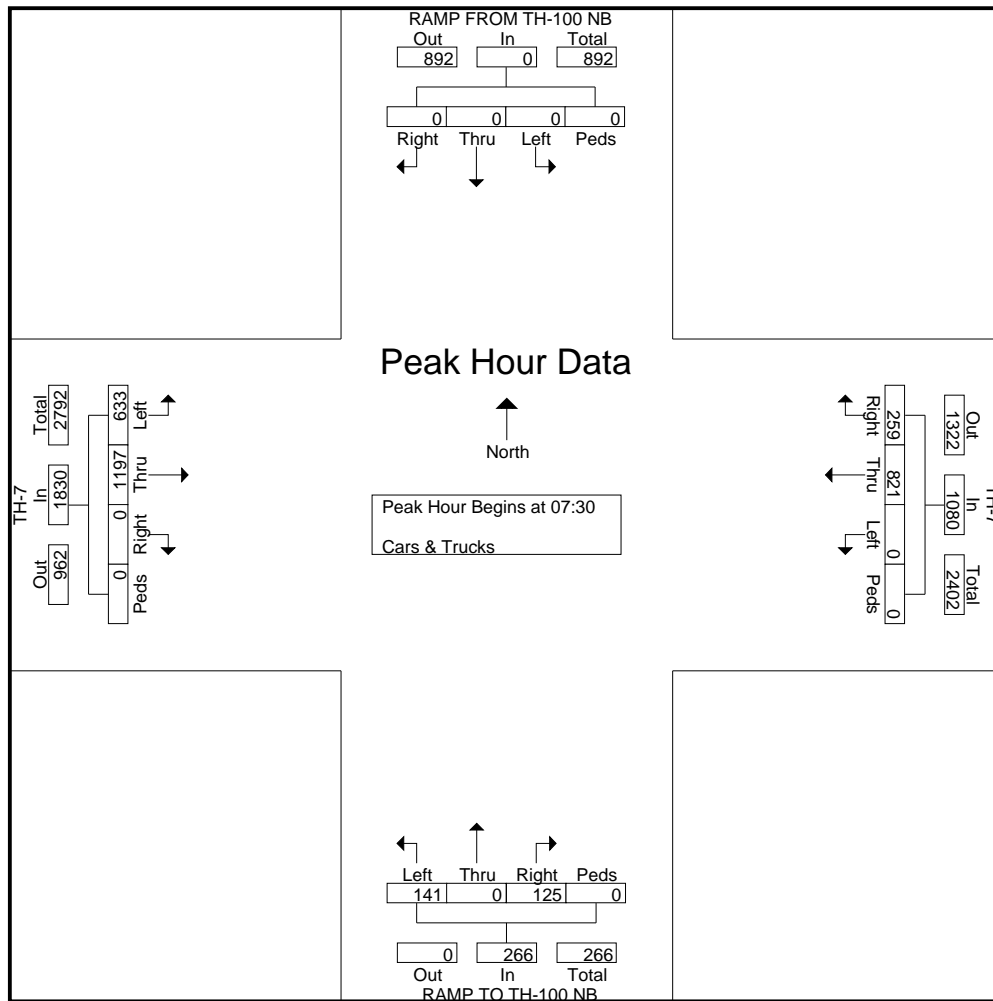
MINNESOTA DEPT OF TRANSPORTATION

TRAFFIC DATA COLLECTION - METRO

TH-100 AT TH-7, EAST RAMPS
 REF.PT.: 005.899
 JAMAR # 631 RE
 TURN MOVEMENT COUNT

File Name : TH-100 AT TH-7 EAST RAMPS ampm
 Site Code : 00000000
 Start Date : 7/11/2007
 Page No : 2

Start Time	RAMP FROM TH-100 NB Southbound					TH-7 Westbound					RAMP TO TH-100 NB Northbound					TH-7 Eastbound					Int. Total
	Left	Thru	Right	Peds	App. Total	Left	Thru	Right	Peds	App. Total	Left	Thru	Right	Peds	App. Total	Left	Thru	Right	Peds	App. Total	
Peak Hour Analysis From 06:00 to 08:45 - Peak 1 of 1																					
Peak Hour for Entire Intersection Begins at 07:30																					
07:30	0	0	0	0	0	0	245	70	0	315	26	0	32	0	58	163	296	0	0	459	832
07:45	0	0	0	0	0	0	226	72	0	298	44	0	35	0	79	145	330	0	0	475	852
08:00	0	0	0	0	0	0	178	58	0	236	32	0	24	0	56	196	302	0	0	498	790
08:15	0	0	0	0	0	0	172	59	0	231	39	0	34	0	73	129	269	0	0	398	702
Total Volume	0	0	0	0	0	0	821	259	0	1080	141	0	125	0	266	633	1197	0	0	1830	3176
% App. Total	0	0	0	0	0	0	76	24	0	100	53	0	47	0	100	34.6	65.4	0	0	100	100
PHF	.000	.000	.000	.000	.000	.000	.838	.899	.000	.857	.801	.000	.893	.000	.842	.807	.907	.000	.000	.919	.932





MINNESOTA DEPT OF TRANSPORTATION

TRAFFIC DATA COLLECTION - METRO

TH-100 AT TH-7, EAST RAMPS
 REF.PT.: 005.899
 JAMAR # 631 RE
 TURN MOVEMENT COUNT

File Name : TH-100 AT TH-7 EAST RAMPS ampm
 Site Code : 00000000
 Start Date : 7/11/2007
 Page No : 3

Start Time	RAMP FROM TH-100 NB Southbound					TH-7 Westbound					RAMP TO TH-100 NB Northbound					TH-7 Eastbound					Int. Total
	Left	Thru	Right	Peds	App. Total	Left	Thru	Right	Peds	App. Total	Left	Thru	Right	Peds	App. Total	Left	Thru	Right	Peds	App. Total	
Peak Hour Analysis From 15:00 to 17:45 - Peak 1 of 1																					
Peak Hour for Entire Intersection Begins at 16:45																					
16:45	0	0	0	0	0	0	261	63	0	324	71	1	60	0	132	212	298	0	0	510	966
17:00	0	0	0	0	0	0	264	78	0	342	52	0	52	0	104	240	299	0	0	539	985
17:15	0	0	0	0	0	0	261	48	0	309	83	0	62	0	145	209	311	0	0	520	974
17:30	0	0	0	0	0	0	247	53	0	300	80	0	54	0	134	208	321	0	0	529	963
Total Volume	0	0	0	0	0	0	1033	242	0	1275	286	1	228	0	515	869	1229	0	0	2098	3888
% App. Total	0	0	0	0	0	0	81	19	0		55.5	0.2	44.3	0		41.4	58.6	0	0		
PHF	.000	.000	.000	.000	.000	.000	.978	.776	.000	.932	.861	.250	.919	.000	.888	.905	.957	.000	.000	.973	.987

