



MINNESOTA DEPT OF TRANSPORTATION

TRAFFIC COLLECTION - METRO

Location: TH 120 AT CONWAY AVE

Ref.Pt.: 002+00.682

Operator: JAMAR # 632 DR

TURN MOVEMENT COUNT

File Name : TH 120 AT CONWAY AVE 002+00.682 2006

Site Code : 00000000

Start Date : 8/16/2006

Page No : 1

Groups Printed- Unshifted

Start Time	TH 120 Southbound				CONWAY AVE Westbound				TH 120 Northbound				CONWAY AVE Eastbound				Int. Total
	Right	Thru	Left	Peds	Right	Thru	Left	Peds	Right	Thru	Left	Peds	Right	Thru	Left	Peds	
06:00	15	60	0	0	0	0	0	0	0	18	18	0	2	0	2	0	115
06:15	30	94	0	0	0	0	0	0	0	18	25	0	3	0	1	0	171
06:30	36	115	0	0	0	0	0	0	0	39	43	0	8	0	1	0	242
06:45	53	123	0	0	0	0	0	0	0	51	71	0	3	0	4	0	305
Total	134	392	0	0	0	0	0	0	0	126	157	0	16	0	8	0	833
07:00	50	122	0	0	0	0	0	0	0	43	76	0	13	0	7	0	311
07:15	56	124	0	0	0	0	0	0	0	50	84	0	3	0	12	0	329
07:30	59	133	0	0	0	0	0	0	0	58	99	0	5	0	8	0	362
07:45	73	146	0	0	0	0	0	0	0	83	143	0	10	0	13	0	468
Total	238	525	0	0	0	0	0	0	0	234	402	0	31	0	40	0	1470
08:00	71	121	0	0	0	0	0	0	0	82	108	0	10	0	10	0	402
08:15	37	117	0	0	0	0	0	0	0	62	77	0	9	0	6	0	308
08:30	33	110	0	0	0	0	0	0	0	68	51	0	17	0	7	0	286
08:45	31	103	0	0	0	0	0	0	0	92	53	0	18	0	7	0	304
Total	172	451	0	0	0	0	0	0	0	304	289	0	54	0	30	0	1300
15:00	6	92	0	0	0	0	0	0	0	130	5	0	44	0	43	0	320
15:15	13	110	0	0	0	0	0	0	0	164	8	0	60	0	38	0	393
15:30	7	92	0	0	0	0	0	0	0	164	7	0	87	0	66	0	423
15:45	15	106	0	0	0	0	0	0	0	146	7	0	53	0	52	0	379
Total	41	400	0	0	0	0	0	0	0	604	27	0	244	0	199	0	1515
16:00	10	81	0	0	0	0	0	0	0	149	11	0	92	0	66	0	409
16:15	5	98	0	0	0	0	0	0	0	163	20	0	112	0	80	0	478
16:30	20	73	0	0	0	0	0	0	0	203	17	0	133	0	95	0	541
16:45	12	85	0	0	0	0	0	0	0	212	13	0	183	0	91	0	596
Total	47	337	0	0	0	0	0	0	0	727	61	0	520	0	332	0	2024
17:00	9	85	0	0	0	0	0	0	0	226	11	0	160	0	84	0	575
17:15	11	118	0	0	0	0	0	0	0	199	15	0	127	0	86	0	556
17:30	6	92	0	0	0	0	0	0	0	130	10	0	66	0	55	0	359
17:45	10	95	0	0	0	0	0	0	0	131	1	0	67	0	53	0	357
Total	36	390	0	0	0	0	0	0	0	686	37	0	420	0	278	0	1847
Grand Total	668	2495	0	0	0	0	0	0	0	2681	973	0	1285	0	887	0	8989
Apprch %	21.1	78.9	0	0	0	0	0	0	0	73.4	26.6	0	59.2	0	40.8	0	
Total %	7.4	27.8	0	0	0	0	0	0	0	29.8	10.8	0	14.3	0	9.9	0	



MINNESOTA DEPT OF TRANSPORTATION

TRAFFIC COLLECTION - METRO

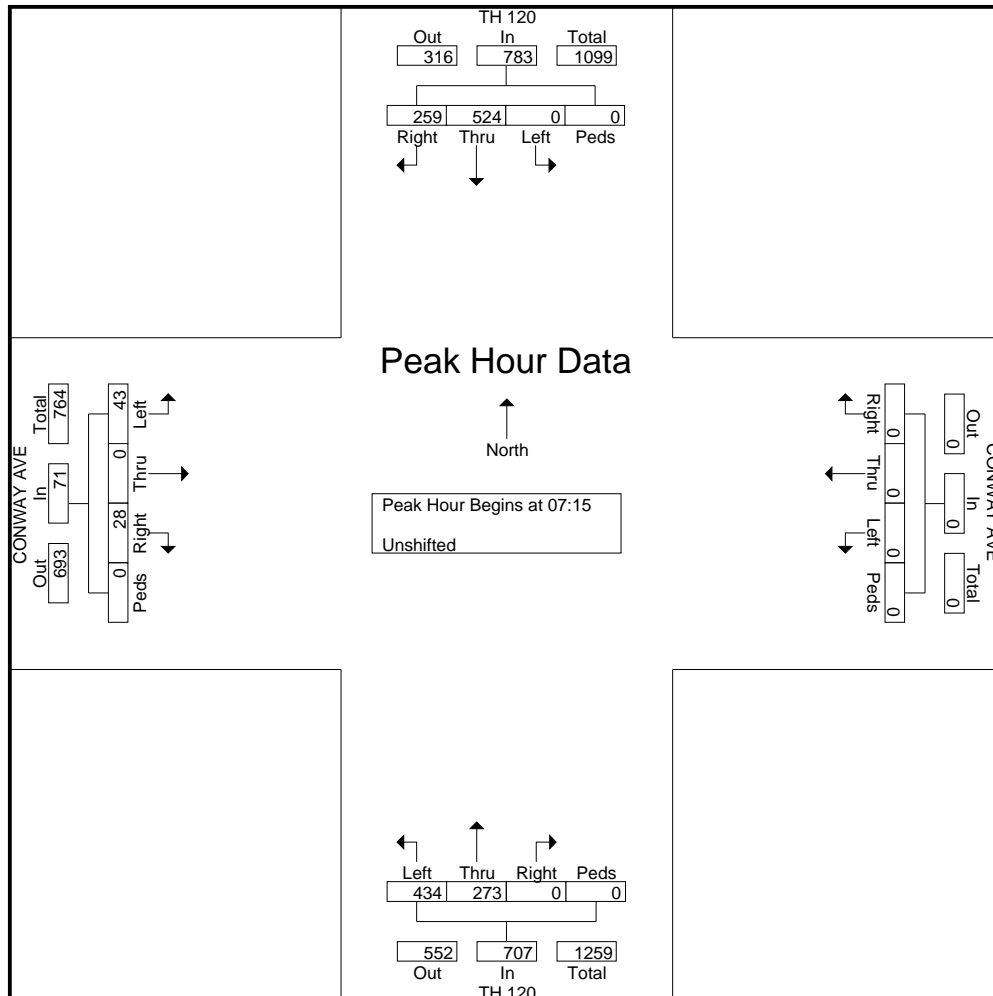
File Name : TH 120 AT CONWAY AVE 002+00.682 2006

Site Code : 00000000

Start Date : 8/16/2006

Page No : 2

Start Time	TH 120 Southbound					CONWAY AVE Westbound					TH 120 Northbound					CONWAY AVE Eastbound					Int. Total
	Right	Thru	Left	Peds	App. Total	Right	Thru	Left	Peds	App. Total	Right	Thru	Left	Peds	App. Total	Right	Thru	Left	Peds	App. Total	
Peak Hour Analysis From 06:00 to 08:45 - Peak 1 of 1																					
Peak Hour for Entire Intersection Begins at 07:15																					
07:15	56	124	0	0	180	0	0	0	0	0	0	50	84	0	134	3	0	12	0	15	329
07:30	59	133	0	0	192	0	0	0	0	0	0	58	99	0	157	5	0	8	0	13	362
07:45	73	146	0	0	219	0	0	0	0	0	0	83	143	0	226	10	0	13	0	23	468
08:00	71	121	0	0	192	0	0	0	0	0	0	82	108	0	190	10	0	10	0	20	402
Total Volume	259	524	0	0	783	0	0	0	0	0	0	273	434	0	707	28	0	43	0	71	1561
% App. Total	33.1	66.9	0	0		0	0	0	0	0	0	38.6	61.4	0		39.4	0	60.6	0		
PHF	.887	.897	.000	.000	.894	.000	.000	.000	.000	.000	.000	.822	.759	.000	.782	.700	.000	.827	.000	.772	.834





MINNESOTA DEPT OF TRANSPORTATION

TRAFFIC COLLECTION - METRO

File Name : TH 120 AT CONWAY AVE 002+00.682 2006

Site Code : 00000000

Start Date : 8/16/2006

Page No : 3

Start Time	TH 120 Southbound					CONWAY AVE Westbound					TH 120 Northbound					CONWAY AVE Eastbound					Int. Total
	Right	Thru	Left	Peds	App. Total	Right	Thru	Left	Peds	App. Total	Right	Thru	Left	Peds	App. Total	Right	Thru	Left	Peds	App. Total	
Peak Hour Analysis From 15:00 to 17:45 - Peak 1 of 1																					
Peak Hour for Entire Intersection Begins at 16:30																					
16:30	20	73	0	0	93	0	0	0	0	0	0	203	17	0	220	133	0	95	0	228	541
16:45	12	85	0	0	97	0	0	0	0	0	0	212	13	0	225	183	0	91	0	274	596
17:00	9	85	0	0	94	0	0	0	0	0	0	226	11	0	237	160	0	84	0	244	575
17:15	11	118	0	0	129	0	0	0	0	0	0	199	15	0	214	127	0	86	0	213	556
Total Volume	52	361	0	0	413	0	0	0	0	0	0	840	56	0	896	603	0	356	0	959	2268
% App. Total	12.6	87.4	0	0		0	0	0	0		0	93.8	6.2	0		62.9	0	37.1	0		
PHF	.650	.765	.000	.000	.800	.000	.000	.000	.000	.000	.000	.929	.824	.000	.945	.824	.000	.937	.000	.875	.951

