

MN Dept of Transportation

TRAFFIC DATA COLLECTION - Metro

TH-120 at Minnehaha Ave / 10th Street

Ref.Pt.: 003.202

video AL ZY

TURN MOVEMENT COUNT

File Name : TH-120 at Minnehaha Ave 2016

Site Code :

Start Date : 4/13/2016

Page No : 1

Groups Printed- Cars +

Start Time	TH-120 / Century Ave Southbound				10th St N / CSAH-10 Westbound				TH-120 / Century Ave Northbound				Minnehaha Ave E Eastbound				Int. Total
	Left	Thru	Right	Peds	Left	Thru	Right	Peds	Left	Thru	Right	Peds	Left	Thru	Right	Peds	
06:00	3	35	15	0	11	22	4	0	4	30	4	0	4	18	7	0	157
06:15	8	61	22	0	25	29	4	0	7	30	6	0	7	18	11	1	229
06:30	3	68	37	0	32	47	7	0	7	41	8	0	4	29	8	0	291
06:45	12	71	37	0	37	42	6	0	10	42	6	0	15	28	10	0	316
Total	26	235	111	0	105	140	21	0	28	143	24	0	30	93	36	1	993
07:00	17	81	33	0	29	62	4	0	15	47	5	0	7	31	12	0	343
07:15	17	97	42	0	30	63	11	2	15	63	7	0	15	49	4	0	415
07:30	15	104	41	0	62	87	11	0	18	54	5	0	12	39	10	0	458
07:45	20	100	43	0	38	71	8	0	21	49	9	0	19	53	16	0	447
Total	69	382	159	0	159	283	34	2	69	213	26	0	53	172	42	0	1663
08:00	24	94	28	0	43	88	11	0	20	74	15	0	18	46	15	0	476
08:15	18	75	35	0	43	64	11	0	21	68	11	0	19	45	18	0	428
08:30	29	76	39	0	37	52	16	0	14	52	19	0	16	26	10	0	386
08:45	12	66	20	0	34	55	9	0	9	56	5	0	18	41	11	0	336
Total	83	311	122	0	157	259	47	0	64	250	50	0	71	158	54	0	1626
09:00	9	66	24	0	24	64	14	0	8	57	20	0	13	44	10	0	353
09:15	15	54	34	0	18	32	8	0	9	48	9	0	24	40	14	0	305
09:30	17	47	18	0	19	37	14	0	9	58	23	0	14	45	15	0	316
09:45	25	53	23	0	20	29	12	0	8	64	22	0	19	33	17	0	325
Total	66	220	99	0	81	162	48	0	34	227	74	0	70	162	56	0	1299
10:00	20	58	13	0	22	48	8	0	12	41	9	0	15	38	9	0	293
10:15	14	44	16	0	13	34	10	0	6	60	11	0	12	37	14	0	271
10:30	15	47	15	0	12	38	11	0	9	39	15	0	13	40	10	0	264
10:45	14	58	11	0	20	36	9	0	8	66	17	0	22	45	12	0	318
Total	63	207	55	0	67	156	38	0	35	206	52	0	62	160	45	0	1146
11:00	26	47	14	0	17	42	22	0	6	79	23	0	31	43	13	0	363
11:15	12	50	21	0	23	53	29	0	5	80	21	0	22	60	12	0	388
11:30	18	64	15	0	39	53	23	0	14	77	23	0	33	58	16	0	433
11:45	23	58	20	0	26	50	14	0	8	69	28	0	33	40	15	0	384
Total	79	219	70	0	105	198	88	0	33	305	95	0	119	201	56	0	1568
12:00	27	68	21	0	29	51	22	0	14	76	27	1	32	70	15	0	453
12:15	17	57	26	0	29	55	17	0	19	69	21	2	17	57	14	0	400
12:30	22	74	26	0	42	50	14	0	20	66	22	0	33	46	13	0	428
12:45	22	72	25	0	32	50	15	0	4	69	14	0	31	35	17	1	387
Total	88	271	98	0	132	206	68	0	57	280	84	3	113	208	59	1	1668
13:00	16	33	9	0	24	78	15	0	5	52	15	0	17	50	16	2	332
13:15	10	61	20	0	18	55	19	2	10	79	19	0	27	45	15	0	380
13:30	14	64	14	0	11	46	13	0	7	52	20	0	24	43	11	0	319
13:45	20	60	20	0	15	48	22	0	8	48	10	0	19	43	11	0	324
Total	60	218	63	0	68	227	69	2	30	231	64	0	87	181	53	2	1355
14:00	23	59	19	0	19	45	12	0	10	70	13	1	31	44	15	2	363
14:15	32	93	13	0	18	44	10	0	10	68	22	0	22	45	10	0	387
14:30	24	68	18	0	18	54	22	0	9	83	20	0	20	50	16	0	402
14:45	26	73	20	0	23	52	29	0	15	86	22	0	26	47	10	0	429
Total	105	293	70	0	78	195	73	0	44	307	77	1	99	186	51	2	1581
15:00	34	85	13	0	20	70	22	0	17	100	50	0	32	66	16	0	525
15:15	31	82	18	0	24	66	31	0	19	115	25	0	38	66	13	0	528
15:30	27	112	21	0	30	47	28	0	17	132	37	0	39	74	15	0	579
15:45	33	107	11	0	21	92	18	0	7	122	37	0	33	87	16	0	584
Total	125	386	63	0	95	275	99	0	60	469	149	0	142	293	60	0	2216

MN Dept of Transportation

TRAFFIC DATA COLLECTION - Metro

TH-120 at Minnehaha Ave / 10th Street
 Ref.Pt.: 003.202
 video AL ZY
 TURN MOVEMENT COUNT

File Name : TH-120 at Minnehaha Ave 2016
 Site Code :
 Start Date : 4/13/2016
 Page No : 2

Groups Printed- Cars +

Start Time	TH-120 / Century Ave Southbound				10th St N / CSAH-10 Westbound				TH-120 / Century Ave Northbound				Minnehaha Ave E Eastbound				Int. Total
	Left	Thru	Right	Peds	Left	Thru	Right	Peds	Left	Thru	Right	Peds	Left	Thru	Right	Peds	
16:00	19	109	11	0	20	60	11	0	12	115	34	0	33	69	13	0	506
16:15	26	92	13	0	31	59	16	0	11	118	28	0	50	92	11	0	547
16:30	33	101	13	0	34	62	19	0	22	156	47	0	54	91	14	0	646
16:45	33	85	15	0	45	65	22	0	19	121	41	0	51	85	20	0	602
Total	111	387	52	0	130	246	68	0	64	510	150	0	188	337	58	0	2301
17:00	21	83	24	0	21	79	26	0	18	129	39	0	49	93	12	0	594
17:15	28	91	23	0	28	68	37	0	18	151	55	0	55	57	15	0	626
17:30	21	114	17	0	32	53	24	0	18	114	41	0	46	61	15	0	556
17:45	30	76	19	0	27	48	34	0	13	122	37	0	30	63	13	0	512
Total	100	364	83	0	108	248	121	0	67	516	172	0	180	274	55	0	2288
Grand Total	975	3493	1045	0	1285	2595	774	4	585	3657	1017	4	1214	2425	625	6	19704
Apprch %	17.7	63.4	19	0	27.6	55.7	16.6	0.1	11.1	69.5	19.3	0.1	28.4	56.8	14.6	0.1	
Total %	4.9	17.7	5.3	0	6.5	13.2	3.9	0	3	18.6	5.2	0	6.2	12.3	3.2	0	

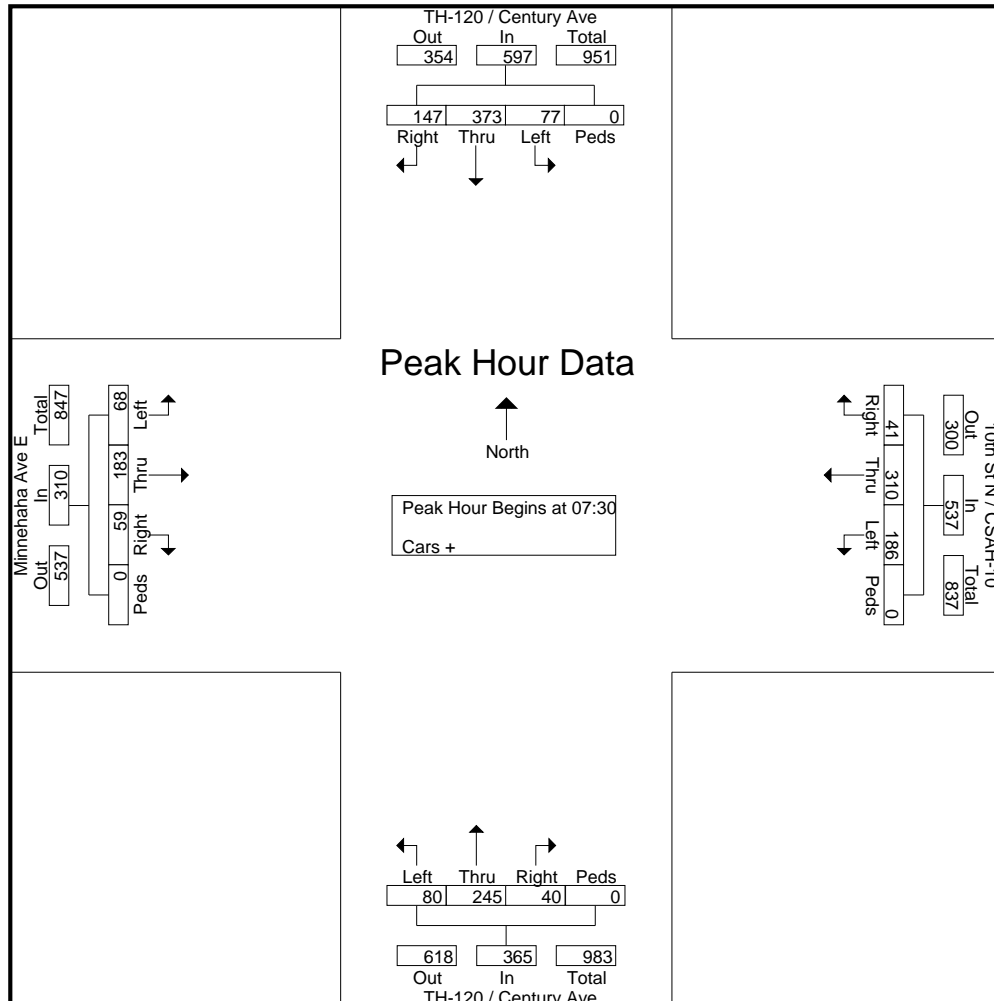
MN Dept of Transportation

TRAFFIC DATA COLLECTION - Metro

TH-120 at Minnehaha Ave / 10th Street
 Ref.Pt.: 003.202
 video AL ZY
 TURN MOVEMENT COUNT

File Name : TH-120 at Minnehaha Ave 2016
 Site Code :
 Start Date : 4/13/2016
 Page No : 3

Start Time	TH-120 / Century Ave Southbound					10th St N / CSAH-10 Westbound					TH-120 / Century Ave Northbound					Minnehaha Ave E Eastbound					Int. Total
	Left	Thru	Right	Peds	App. Total	Left	Thru	Right	Peds	App. Total	Left	Thru	Right	Peds	App. Total	Left	Thru	Right	Peds	App. Total	
Peak Hour Analysis From 06:00 to 11:45 - Peak 1 of 1																					
Peak Hour for Entire Intersection Begins at 07:30																					
07:30	15	104	41	0	160	62	87	11	0	160	18	54	5	0	77	12	39	10	0	61	458
07:45	20	100	43	0	163	38	71	8	0	117	21	49	9	0	79	19	53	16	0	88	447
08:00	24	94	28	0	146	43	88	11	0	142	20	74	15	0	109	18	46	15	0	79	476
08:15	18	75	35	0	128	43	64	11	0	118	21	68	11	0	100	19	45	18	0	82	428
Total Volume	77	373	147	0	597	186	310	41	0	537	80	245	40	0	365	68	183	59	0	310	1809
% App. Total	12.9	62.5	24.6	0		34.6	57.7	7.6	0		21.9	67.1	11	0		21.9	59	19	0		
PHF	.802	.897	.855	.000	.916	.750	.881	.932	.000	.839	.952	.828	.667	.000	.837	.895	.863	.819	.000	.881	.950



MN Dept of Transportation

TRAFFIC DATA COLLECTION - Metro

TH-120 at Minnehaha Ave / 10th Street
 Ref.Pt.: 003.202
 video AL ZY
 TURN MOVEMENT COUNT

File Name : TH-120 at Minnehaha Ave 2016
 Site Code :
 Start Date : 4/13/2016
 Page No : 4

Start Time	TH-120 / Century Ave Southbound					10th St N / CSAH-10 Westbound					TH-120 / Century Ave Northbound					Minnehaha Ave E Eastbound					Int. Total
	Left	Thru	Right	Peds	App. Total	Left	Thru	Right	Peds	App. Total	Left	Thru	Right	Peds	App. Total	Left	Thru	Right	Peds	App. Total	
Peak Hour Analysis From 12:00 to 17:45 - Peak 1 of 1																					
Peak Hour for Entire Intersection Begins at 16:30																					
16:30	33	101	13	0	147	34	62	19	0	115	22	156	47	0	225	54	91	14	0	159	646
16:45	33	85	15	0	133	45	65	22	0	132	19	121	41	0	181	51	85	20	0	156	602
17:00	21	83	24	0	128	21	79	26	0	126	18	129	39	0	186	49	93	12	0	154	594
17:15	28	91	23	0	142	28	68	37	0	133	18	151	55	0	224	55	57	15	0	127	626
Total Volume	115	360	75	0	550	128	274	104	0	506	77	557	182	0	816	209	326	61	0	596	2468
% App. Total	20.9	65.5	13.6	0		25.3	54.2	20.6	0		9.4	68.3	22.3	0		35.1	54.7	10.2	0		
PHF	.871	.891	.781	.000	.935	.711	.867	.703	.000	.951	.875	.893	.827	.000	.907	.950	.876	.763	.000	.937	.955

