



# MINNESOTA DEPT OF TRANSPORTATION

## TRAFFIC DATA COLLECTION - METRO

TH-120 at Century College Entrance-mid  
 Ref.Pt.: 008.512  
 JAMAR # 632 DR  
 TURN MOVEMENT COUNT

File Name : TH-120 at Century College S Entrance 2008  
 Site Code : 00000000  
 Start Date : 9/30/2008  
 Page No : 1

### Groups Printed- Cars & Trucks

Start Time	TH-120 / Century Ave. Southbound				Century College - East Campus Westbound				TH-120 / Century Ave. Northbound				Century College - West Campus Eastbound				Int. Total	
	Left	Thru	Right	Peds	Left	Thru	Right	Peds	Left	Thru	Right	Peds	Left	Thru	Right	Peds		
06:00	3	92	1	0	1	1	0	0	4	18	4	0	0	0	0	0	0	124
06:15	3	125	0	0	0	0	0	0	7	31	11	0	0	0	1	0	0	178
06:30	5	145	1	0	5	1	0	0	9	36	15	0	0	1	14	0	0	232
06:45	9	153	1	0	2	0	0	0	20	62	22	0	0	2	4	0	0	275
Total	20	515	3	0	8	2	0	0	40	147	52	0	0	3	19	0	0	809
07:00	17	158	2	0	2	1	0	0	62	52	35	0	1	2	6	0	0	338
07:15	37	147	7	0	2	1	3	0	135	77	102	0	1	2	10	0	0	524
07:30	69	167	11	0	10	8	1	0	194	95	135	0	3	5	24	0	0	722
07:45	41	144	1	0	14	5	7	0	104	104	92	0	0	1	10	0	0	523
Total	164	616	21	0	28	15	11	0	495	328	364	0	5	10	50	0	0	2107
08:00	24	139	1	0	10	0	4	0	50	79	41	0	0	1	22	0	0	371
08:15	17	121	2	0	23	5	15	0	69	72	32	0	0	0	18	0	0	374
08:30	25	112	4	0	32	5	14	0	107	95	58	0	2	8	53	0	0	515
08:45	13	99	5	0	26	7	18	0	107	100	37	0	2	3	45	0	0	462
Total	79	471	12	0	91	17	51	0	333	346	168	0	4	12	138	0	0	1722
*** BREAK ***																		
15:00	10	105	1	0	54	1	16	0	32	150	15	0	2	1	51	0	0	438
15:15	7	96	4	0	41	4	26	0	45	173	13	0	6	2	60	0	0	477
15:30	2	120	1	0	37	3	15	0	69	194	14	0	3	2	96	0	0	556
15:45	5	120	4	0	38	0	14	0	88	194	17	0	1	7	52	0	0	540
Total	24	441	10	0	170	8	71	0	234	711	59	0	12	12	259	0	0	2011
16:00	7	115	5	0	62	4	33	0	34	188	17	0	2	2	64	0	0	533
16:15	4	140	0	0	34	0	12	0	22	172	14	0	1	3	44	0	0	446
16:30	4	122	1	0	20	3	12	0	21	198	8	0	2	2	54	0	0	447
16:45	1	140	5	0	24	1	21	0	27	221	15	0	0	1	40	0	0	496
Total	16	517	11	0	140	8	78	0	104	779	54	0	5	8	202	0	0	1922
17:00	3	139	2	0	40	1	13	0	32	211	31	0	4	2	36	0	0	514
17:15	7	103	5	0	24	2	11	0	66	237	43	0	8	8	114	0	0	628
17:30	20	113	12	0	29	6	12	0	119	188	51	0	4	5	51	0	0	610
17:45	17	113	12	0	11	2	5	0	130	211	51	0	3	4	50	0	0	609
Total	47	468	31	0	104	11	41	0	347	847	176	0	19	19	251	0	0	2361
Grand Total	350	3028	88	0	541	61	252	0	1553	3158	873	0	45	64	919	0	0	10932
Apprch %	10.1	87.4	2.5	0	63.3	7.1	29.5	0	27.8	56.6	15.6	0	4.4	6.2	89.4	0	0	
Total %	3.2	27.7	0.8	0	4.9	0.6	2.3	0	14.2	28.9	8	0	0.4	0.6	8.4	0	0	



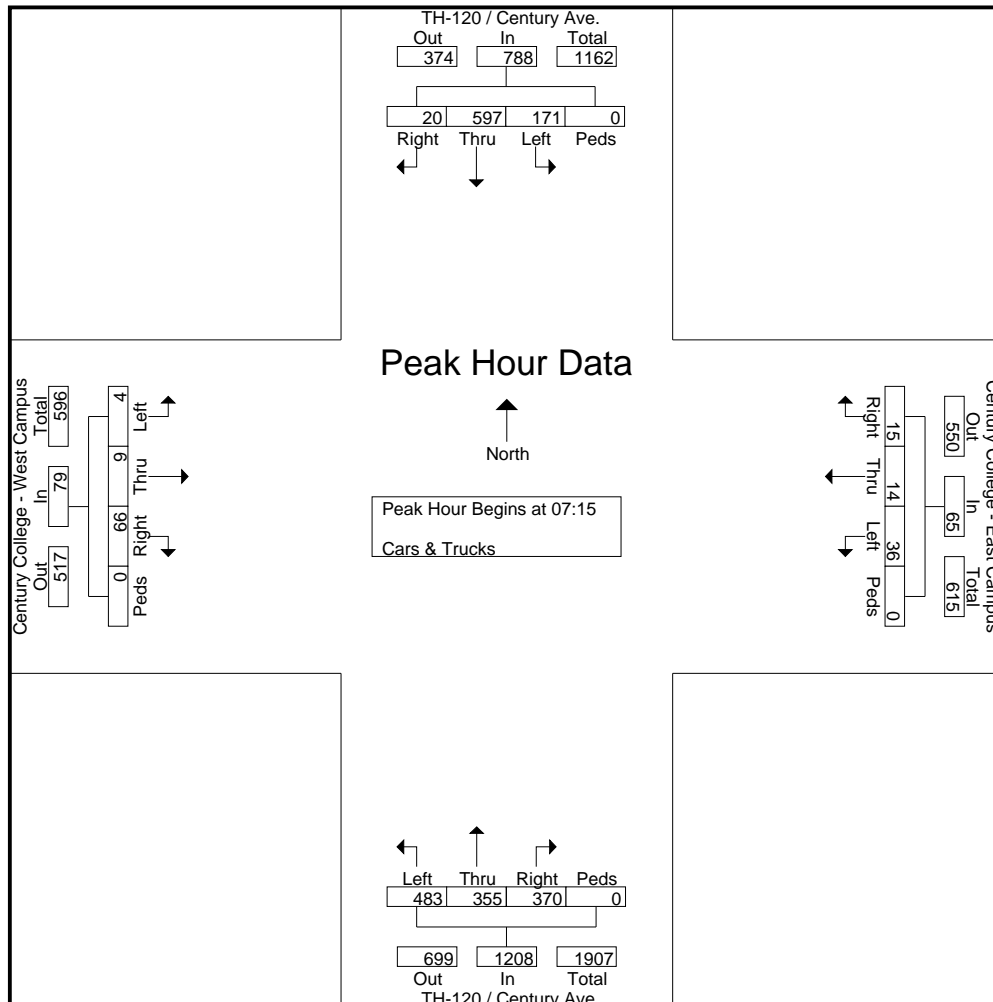
# MINNESOTA DEPT OF TRANSPORTATION

## TRAFFIC DATA COLLECTION - METRO

TH-120 at Century College Entrance-mid  
 Ref.Pt.: 008.512  
 JAMAR # 632 DR  
 TURN MOVEMENT COUNT

File Name : TH-120 at Century College S Entrance 2008  
 Site Code : 00000000  
 Start Date : 9/30/2008  
 Page No : 2

Start Time	TH-120 / Century Ave. Southbound					Century College - East Campus Westbound					TH-120 / Century Ave. Northbound					Century College - West Campus Eastbound					Int. Total
	Left	Thru	Right	Peds	App. Total	Left	Thru	Right	Peds	App. Total	Left	Thru	Right	Peds	App. Total	Left	Thru	Right	Peds	App. Total	
Peak Hour Analysis From 06:00 to 08:45 - Peak 1 of 1																					
Peak Hour for Entire Intersection Begins at 07:15																					
07:15	37	147	7	0	191	2	1	3	0	6	135	77	102	0	314	1	2	10	0	13	524
07:30	<b>69</b>	<b>167</b>	<b>11</b>	0	<b>247</b>	10	<b>8</b>	1	0	19	<b>194</b>	95	<b>135</b>	0	<b>424</b>	<b>3</b>	<b>5</b>	<b>24</b>	0	<b>32</b>	<b>722</b>
07:45	41	144	1	0	186	<b>14</b>	5	<b>7</b>	0	<b>26</b>	104	<b>104</b>	92	0	300	0	1	10	0	11	523
08:00	24	139	1	0	164	10	0	4	0	14	50	79	41	0	170	0	1	22	0	23	371
Total Volume	171	597	20	0	788	36	14	15	0	65	483	355	370	0	1208	4	9	66	0	79	2140
% App. Total	21.7	75.8	2.5	0		55.4	21.5	23.1	0		40	29.4	30.6	0		5.1	11.4	83.5	0		
PHF	.620	.894	.455	.000	.798	.643	.438	.536	.000	.625	.622	.853	.685	.000	.712	.333	.450	.688	.000	.617	.741





# MINNESOTA DEPT OF TRANSPORTATION

## TRAFFIC DATA COLLECTION - METRO

TH-120 at Century College Entrance-mid  
 Ref.Pt.: 008.512  
 JAMAR # 632 DR  
 TURN MOVEMENT COUNT

File Name : TH-120 at Century College S Entrance 2008  
 Site Code : 00000000  
 Start Date : 9/30/2008  
 Page No : 3

Start Time	TH-120 / Century Ave. Southbound					Century College - East Campus Westbound					TH-120 / Century Ave. Northbound					Century College - West Campus Eastbound					Int. Total
	Left	Thru	Right	Peds	App. Total	Left	Thru	Right	Peds	App. Total	Left	Thru	Right	Peds	App. Total	Left	Thru	Right	Peds	App. Total	
17:00	3	139	2	0	144	40	1	13	0	54	32	211	31	0	274	4	2	36	0	42	514
17:15	7	103	5	0	115	24	2	11	0	37	66	237	43	0	346	8	8	114	0	130	628
17:30	20	113	12	0	145	29	6	12	0	47	119	188	51	0	358	4	5	51	0	60	610
17:45	17	113	12	0	142	11	2	5	0	18	130	211	51	0	392	3	4	50	0	57	609
Total Volume	47	468	31	0	546	104	11	41	0	156	347	847	176	0	1370	19	19	251	0	289	2361
% App. Total	8.6	85.7	5.7	0		66.7	7.1	26.3	0		25.3	61.8	12.8	0		6.6	6.6	86.9	0		
PHF	.588	.842	.646	.000	.941	.650	.458	.788	.000	.722	.667	.893	.863	.000	.874	.594	.594	.550	.000	.556	.940

Peak Hour Analysis From 15:00 to 17:45 - Peak 1 of 1  
 Peak Hour for Entire Intersection Begins at 17:00

