

# TRAFFIC DATA INC.

3268 Xenwood Ave S  
St Louis Park, MN 55416

TH-13 at CSAH-23 / Panama Ave.  
Ref.Pt.: 084.361  
Data by: Traffic Data Inc  
TURN MOVEMENT COUNT

File Name : TH-13 at CSAH-23 Panama Ave 2009  
Site Code : 00182911  
Start Date : 4/29/2009  
Page No : 1

### Groups Printed- Unshifted

Start Time	Five Hawks Ave SE Southbound				TH-13 Westbound				CSAH-23 / Panama Ave. Northbound				TH-13 Eastbound				Int. Total
	Left	Thru	Right	Peds	Left	Thru	Right	Peds	Left	Thru	Right	Peds	Left	Thru	Right	Peds	
06:00	8	0	0	0	4	14	1	0	1	0	15	0	0	87	2	0	132
06:15	7	0	1	0	4	20	2	0	5	1	31	0	0	98	7	0	176
06:30	12	3	1	0	7	28	6	0	9	4	35	0	2	122	8	0	237
06:45	13	4	0	1	8	33	3	0	12	4	37	1	2	143	11	1	273
Total	40	7	2	1	23	95	12	0	27	9	118	1	4	450	28	1	818
07:00	17	2	0	0	10	59	10	0	13	5	33	0	0	131	13	0	293
07:15	11	3	1	0	9	40	8	0	10	9	42	0	3	153	14	0	303
07:30	17	3	1	1	10	44	5	0	15	6	36	0	3	144	6	0	291
07:45	13	3	0	0	14	41	13	0	13	8	33	0	6	129	10	0	283
Total	58	11	2	1	43	184	36	0	51	28	144	0	12	557	43	0	1170
08:00	15	2	1	0	15	34	10	0	10	6	23	0	5	107	10	0	238
08:15	11	2	0	0	16	50	13	0	13	6	31	0	3	87	8	0	240
08:30	12	1	4	0	13	39	13	0	7	5	29	0	2	88	6	0	219
08:45	24	10	7	0	11	38	16	0	8	32	31	0	7	91	9	1	285
Total	62	15	12	0	55	161	52	0	38	49	114	0	17	373	33	1	982
*** BREAK ***																	
11:00	6	1	2	0	9	37	4	0	10	6	13	0	0	68	5	0	161
11:15	10	4	2	0	17	46	14	0	8	5	29	0	2	53	11	0	201
11:30	18	8	1	0	22	63	5	0	12	4	24	0	3	57	9	0	226
11:45	7	4	1	0	16	56	8	2	21	5	27	0	1	48	7	0	203
Total	41	17	6	0	64	202	31	2	51	20	93	0	6	226	32	0	791
12:00	9	3	0	0	31	60	8	0	10	2	20	0	0	60	9	0	212
12:15	8	1	2	0	32	55	9	0	11	5	21	0	3	73	9	0	229
12:30	11	3	2	0	25	57	15	0	9	2	23	0	2	70	9	0	228
12:45	7	4	1	0	32	57	5	0	10	3	21	0	0	55	7	0	202
Total	35	11	5	0	120	229	37	0	40	12	85	0	5	258	34	0	871
*** BREAK ***																	
15:00	14	4	1	0	24	91	7	0	13	8	13	0	1	50	10	0	236
15:15	10	2	1	0	24	95	16	0	23	9	16	0	1	64	9	0	270
15:30	19	15	5	1	37	103	23	0	24	14	17	0	5	66	8	0	337
15:45	21	10	14	0	29	123	14	0	26	5	16	0	0	75	9	1	343
Total	64	31	21	1	114	412	60	0	86	36	62	0	7	255	36	1	1186
16:00	10	6	10	0	29	134	11	0	20	7	20	0	0	86	11	0	344
16:15	12	3	2	0	41	121	8	0	27	5	21	0	0	86	11	0	337
16:30	13	5	1	0	34	118	13	0	34	10	21	0	3	90	18	0	360
16:45	13	2	5	0	27	124	14	0	25	12	20	0	1	77	10	1	331
Total	48	16	18	0	131	497	46	0	106	34	82	0	4	339	50	1	1372
17:00	17	15	3	0	38	143	9	0	28	8	19	0	0	63	14	0	357
17:15	10	5	4	0	36	127	12	0	23	5	27	0	0	85	7	0	341
17:30	8	6	1	0	33	114	19	0	21	4	24	0	1	87	15	0	333
17:45	10	1	2	0	24	128	17	0	16	9	29	0	1	89	16	0	342
Total	45	27	10	0	131	512	57	0	88	26	99	0	2	324	52	0	1373
Grand Total	393	135	76	3	681	2292	331	2	487	214	797	1	57	2782	308	4	8563
Apprch %	64.7	22.2	12.5	0.5	20.6	69.3	10	0.1	32.5	14.3	53.2	0.1	1.8	88.3	9.8	0.1	
Total %	4.6	1.6	0.9	0	8	26.8	3.9	0	5.7	2.5	9.3	0	0.7	32.5	3.6	0	

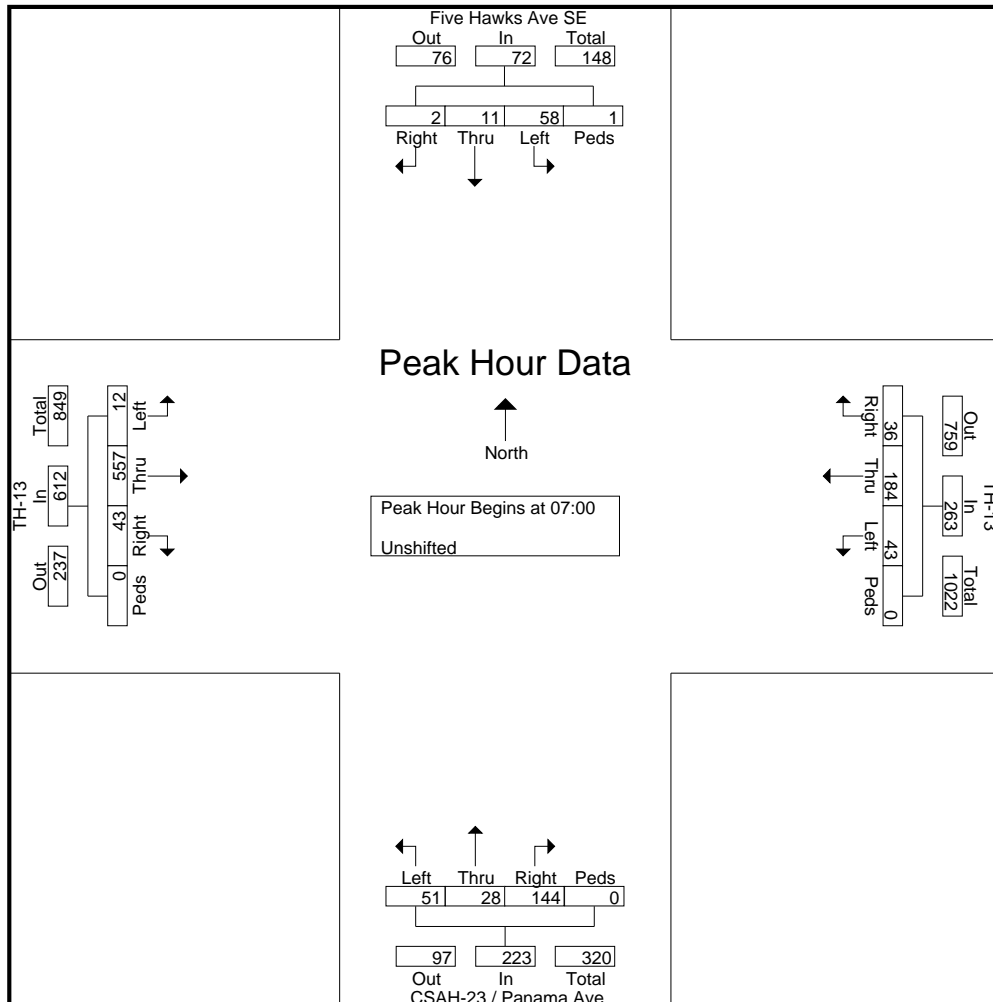
# TRAFFIC DATA INC.

3268 Xenwood Ave S  
St Louis Park, MN 55416

TH-13 at CSAH-23 / Panama Ave.  
Ref.Pt.: 084.361  
Data by: Traffic Data Inc  
TURN MOVEMENT COUNT

File Name : TH-13 at CSAH-23 Panama Ave 2009  
Site Code : 00182911  
Start Date : 4/29/2009  
Page No : 2

Start Time	Five Hawks Ave SE Southbound					TH-13 Westbound					CSAH-23 / Panama Ave. Northbound					TH-13 Eastbound					Int. Total
	Left	Thru	Right	Peds	App. Total	Left	Thru	Right	Peds	App. Total	Left	Thru	Right	Peds	App. Total	Left	Thru	Right	Peds	App. Total	
Peak Hour Analysis From 06:00 to 08:45 - Peak 1 of 1																					
Peak Hour for Entire Intersection Begins at 07:00																					
07:00	17	2	0	0	19	10	59	10	0	79	13	5	33	0	51	0	131	13	0	144	293
07:15	11	3	1	0	15	9	40	8	0	57	10	9	42	0	61	3	153	14	0	170	303
07:30	17	3	1	1	22	10	44	5	0	59	15	6	36	0	57	3	144	6	0	153	291
07:45	13	3	0	0	16	14	41	13	0	68	13	8	33	0	54	6	129	10	0	145	283
Total Volume	58	11	2	1	72	43	184	36	0	263	51	28	144	0	223	12	557	43	0	612	1170
% App. Total	80.6	15.3	2.8	1.4		16.3	70	13.7	0		22.9	12.6	64.6	0		2	91	7	0		
PHF	.853	.917	.500	.250	.818	.768	.780	.692	.000	.832	.850	.778	.857	.000	.914	.500	.910	.768	.000	.900	.965



# TRAFFIC DATA INC.

3268 Xenwood Ave S  
St Louis Park, MN 55416

TH-13 at CSAH-23 / Panama Ave.  
Ref.Pt.: 084.361  
Data by: Traffic Data Inc  
TURN MOVEMENT COUNT

File Name : TH-13 at CSAH-23 Panama Ave 2009  
Site Code : 00182911  
Start Date : 4/29/2009  
Page No : 3

Start Time	Five Hawks Ave SE Southbound					TH-13 Westbound					CSAH-23 / Panama Ave. Northbound					TH-13 Eastbound					Int. Total
	Left	Thru	Right	Peds	App. Total	Left	Thru	Right	Peds	App. Total	Left	Thru	Right	Peds	App. Total	Left	Thru	Right	Peds	App. Total	
16:30	13	5	1	0	19	34	118	13	0	165	34	10	21	0	65	3	90	18	0	111	360
16:45	13	2	5	0	20	27	124	14	0	165	25	12	20	0	57	1	77	10	1	89	331
17:00	17	15	3	0	35	38	143	9	0	190	28	8	19	0	55	0	63	14	0	77	357
17:15	10	5	4	0	19	36	127	12	0	175	23	5	27	0	55	0	85	7	0	92	341
Total Volume	53	27	13	0	93	135	512	48	0	695	110	35	87	0	232	4	315	49	1	369	1389
% App. Total	57	29	14	0		19.4	73.7	6.9	0		47.4	15.1	37.5	0		1.1	85.4	13.3	0.3		
PHF	.779	.450	.650	.000	.664	.888	.895	.857	.000	.914	.809	.729	.806	.000	.892	.333	.875	.681	.250	.831	.965

Peak Hour Analysis From 15:00 to 17:45 - Peak 1 of 1  
Peak Hour for Entire Intersection Begins at 16:30

