

Alliant Engineering, Inc

233 Park Ave Suite 300
 Minneapolis, MN 55415

--TRAFFIC DATA --

TH-13 at Fish Point Road
 Ref.Pt.:86+00.568
 data by : Alliant Inc.
 TURN MOVEMENT COUNT

File Name : 507_TH 13 & Fish Point Rd
 Site Code : 507
 Start Date : 1/26/2017
 Page No : 1

Groups Printed- Vehicles - Trucks

Start Time	TH 13 From North					Fish Point Rd From East					TH 13 From South					Fish Point Rd From West					Int. Total
	Other	Rght	Thru	Left	App. Total	Other	Rght	Thru	Left	App. Total	Other	Rght	Thru	Left	App. Total	Other	Rght	Thru	Left	App. Total	
06:00 AM	0	1	16	1	18	0	17	0	0	17	0	0	106	0	106	0	3	2	6	11	152
06:15 AM	0	1	26	6	33	0	17	0	1	18	0	0	101	2	103	0	2	1	3	6	160
06:30 AM	0	0	35	6	41	0	22	1	0	23	0	0	158	0	158	0	4	2	12	18	240
06:45 AM	0	0	46	40	86	0	34	0	1	35	0	1	136	0	137	0	3	2	4	9	267
Total	0	2	123	53	178	0	90	1	2	93	0	1	501	2	504	0	12	7	25	44	819
07:00 AM	1	3	52	41	97	0	67	4	7	78	0	13	148	1	162	0	8	12	7	27	364
07:15 AM	0	0	70	14	84	0	66	1	16	83	0	4	190	1	195	0	14	6	6	26	388
07:30 AM	0	2	62	10	74	0	28	1	0	29	0	1	231	3	235	0	11	0	8	19	357
07:45 AM	0	3	81	10	94	0	22	1	0	23	0	1	205	3	209	0	6	1	8	15	341
Total	1	8	265	75	349	0	183	7	23	213	0	19	774	8	801	0	39	19	29	87	1450
08:00 AM	0	1	91	2	94	0	20	1	1	22	0	0	150	2	152	0	7	2	14	23	291
08:15 AM	0	1	80	4	85	0	15	1	0	16	0	1	136	4	141	0	6	0	7	13	255
08:30 AM	0	0	74	6	80	0	14	1	0	15	0	1	129	5	135	0	3	0	4	7	237
08:45 AM	0	1	70	7	78	0	23	0	1	24	0	0	113	3	116	0	3	3	5	11	229
Total	0	3	315	19	337	0	72	3	2	77	0	2	528	14	544	0	19	5	30	54	1012
09:00 AM	0	1	103	9	113	0	15	0	1	16	0	2	124	1	127	0	4	1	2	7	263
09:15 AM	0	3	72	9	84	0	6	1	1	8	0	0	133	3	136	0	9	1	3	13	241
*** BREAK ***																					
Total	0	4	175	18	197	0	21	1	2	24	0	2	257	4	263	0	13	2	5	20	504
*** BREAK ***																					
10:30 AM	0	1	60	3	64	0	11	0	1	12	0	0	94	1	95	0	7	1	5	13	184
10:45 AM	0	0	60	3	63	0	5	0	1	6	0	1	97	3	101	0	2	1	3	6	176
Total	0	1	120	6	127	0	16	0	2	18	0	1	191	4	196	0	9	2	8	19	360
11:00 AM	0	3	75	5	83	0	15	1	0	16	0	0	84	3	87	0	2	0	0	2	188
11:15 AM	0	0	98	10	108	0	10	2	1	13	0	0	91	4	95	0	4	1	0	5	221
11:30 AM	0	3	101	8	112	0	11	2	0	13	0	3	105	1	109	0	12	1	2	15	249
11:45 AM	0	1	109	18	128	0	12	0	0	12	0	2	89	2	93	0	5	0	5	10	243
Total	0	7	383	41	431	0	48	5	1	54	0	5	369	10	384	0	23	2	7	32	901
12:00 PM	0	3	106	21	130	0	21	1	7	29	0	1	109	5	115	0	3	4	3	10	284
12:15 PM	2	5	104	13	124	0	54	0	5	59	0	3	123	8	134	0	4	1	6	11	328
12:30 PM	0	2	108	17	127	0	24	1	0	25	0	1	77	4	82	0	7	0	2	9	243
12:45 PM	0	3	100	13	116	0	18	1	0	19	0	0	118	3	121	0	9	1	5	15	271
Total	2	13	418	64	497	0	117	3	12	132	0	5	427	20	452	0	23	6	16	45	1126
01:00 PM	0	5	140	12	157	0	17	6	0	23	0	0	118	4	122	0	6	1	4	11	313
01:15 PM	0	5	125	13	143	0	14	2	0	16	0	2	117	3	122	0	9	1	5	15	296
*** BREAK ***																					
Total	0	10	265	25	300	0	31	8	0	39	0	2	235	7	244	0	15	2	9	26	609
*** BREAK ***																					
02:30 PM	0	8	125	15	148	0	9	2	0	11	0	1	95	7	103	0	1	0	2	3	265
02:45 PM	0	5	107	23	135	0	13	0	2	15	0	3	106	6	115	0	5	2	3	10	275
Total	0	13	232	38	283	0	22	2	2	26	0	4	201	13	218	0	6	2	5	13	540
03:00 PM	0	4	137	20	161	0	19	2	3	24	0	1	86	6	93	0	10	3	1	14	292
03:15 PM	0	5	159	22	186	0	23	2	3	28	0	1	102	3	106	0	4	2	3	9	329
03:30 PM	0	6	132	22	160	0	17	6	0	23	0	3	103	10	116	0	7	1	1	9	308
03:45 PM	0	3	171	21	195	0	16	1	1	18	0	0	105	4	109	0	6	1	3	10	332
Total	0	18	599	85	702	0	75	11	7	93	0	5	396	23	424	0	27	7	8	42	1261
04:00 PM	0	1	155	24	180	0	21	3	2	26	0	0	126	9	135	0	7	0	0	7	348
04:15 PM	0	5	186	23	214	0	18	3	3	24	0	2	131	4	137	0	9	2	5	16	391
04:30 PM	0	10	186	26	222	0	16	3	1	20	0	3	114	11	128	0	9	2	2	13	383
04:45 PM	0	3	211	33	247	0	19	1	0	20	0	1	94	13	108	0	9	1	2	12	387
Total	0	19	738	106	863	0	74	10	6	90	0	6	465	37	508	0	34	5	9	48	1509

Alliant Engineering, Inc

233 Park Ave Suite 300

Minneapolis, MN 55415

--TRAFFIC DATA --

TH-13 at Fish Point Road
 Ref.Pt.:86+00.568
 data by : Alliant Inc.
 TURN MOVEMENT COUNT

File Name : 507_TH 13 & Fish Point Rd
 Site Code : 507
 Start Date : 1/26/2017
 Page No : 2

Groups Printed- Vehicles - Trucks

Start Time	TH 13 From North					Fish Point Rd From East					TH 13 From South					Fish Point Rd From West					Int. Total
	Other	Rght	Thru	Left	App. Total	Other	Rght	Thru	Left	App. Total	Other	Rght	Thru	Left	App. Total	Other	Rght	Thru	Left	App. Total	
05:00 PM	0	10	206	20	236	0	18	3	0	21	0	3	141	10	154	0	9	6	1	16	427
05:15 PM	0	6	175	34	215	0	18	2	2	22	0	2	128	7	137	0	12	0	6	18	392
05:30 PM	0	4	169	41	214	0	28	4	5	37	0	2	121	9	132	0	9	2	2	13	396
05:45 PM	0	9	179	26	214	0	33	4	1	38	0	5	108	4	117	0	11	1	2	14	383
Total	0	29	729	121	879	0	97	13	8	118	0	12	498	30	540	0	41	9	11	61	1598
Grand Total	3	127	4362	651	5143	0	846	64	67	977	0	64	4842	172	5078	0	261	68	162	491	11689
Apprch %	0.1	2.5	84.8	12.7		0	86.6	6.6	6.9		0	1.3	95.4	3.4		0	53.2	13.8	33		
Total %	0	1.1	37.3	5.6	44	0	7.2	0.5	0.6	8.4	0	0.5	41.4	1.5	43.4	0	2.2	0.6	1.4	4.2	
Vehicles	3	123	4269	638	5033	0	813	64	53	930	0	62	4764	171	4997	0	247	67	162	476	11436
% Vehicles	100	96.9	97.9	98	97.9	0	96.1	100	79.1	95.2	0	96.9	98.4	99.4	98.4	0	94.6	98.5	100	96.9	97.8
Trucks	0	4	93	13	110	0	33	0	14	47	0	2	78	1	81	0	14	1	0	15	253
% Trucks	0	3.1	2.1	2	2.1	0	3.9	0	20.9	4.8	0	3.1	1.6	0.6	1.6	0	5.4	1.5	0	3.1	2.2

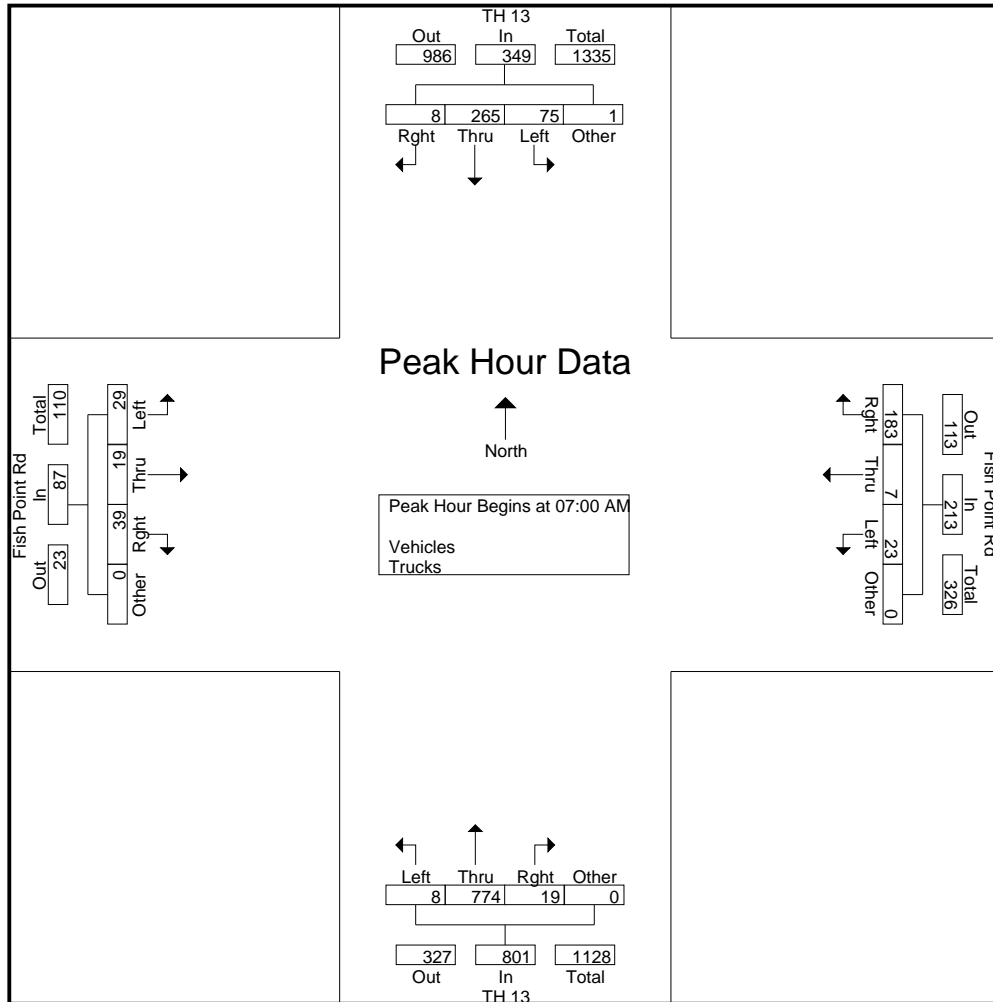
Alliant Engineering, Inc

233 Park Ave Suite 300
 Minneapolis, MN 55415
 --TRAFFIC DATA --

TH-13 at Fish Point Road
 Ref.Pt.:86+00.568
 data by : Alliant Inc.
 TURN MOVEMENT COUNT

File Name : 507_TH 13 & Fish Point Rd
 Site Code : 507
 Start Date : 1/26/2017
 Page No : 3

Start Time	TH 13 From North					Fish Point Rd From East					TH 13 From South					Fish Point Rd From West					Int. Total
	Other	Rght	Thru	Left	App. Total	Other	Rght	Thru	Left	App. Total	Other	Rght	Thru	Left	App. Total	Other	Rght	Thru	Left	App. Total	
Peak Hour Analysis From 06:00 AM to 11:45 AM - Peak 1 of 1																					
Peak Hour for Entire Intersection Begins at 07:00 AM																					
07:00 AM	1	3	52	41	97	0	67	4	7	78	0	13	148	1	162	0	8	12	7	27	364
07:15 AM	0	0	70	14	84	0	66	1	16	83	0	4	190	1	195	0	14	6	6	26	388
07:30 AM	0	2	62	10	74	0	28	1	0	29	0	1	231	3	235	0	11	0	8	19	357
07:45 AM	0	3	81	10	94	0	22	1	0	23	0	1	205	3	209	0	6	1	8	15	341
Total Volume	1	8	265	75	349	0	183	7	23	213	0	19	774	8	801	0	39	19	29	87	1450
% App. Total	0.3	2.3	75.9	21.5		0	85.9	3.3	10.8		0	2.4	96.6	1		0	44.8	21.8	33.3		
PHF	.250	.667	.818	.457	.899	.000	.683	.438	.359	.642	.000	.365	.838	.667	.852	.000	.696	.396	.906	.806	.934



Alliant Engineering, Inc

233 Park Ave Suite 300
 Minneapolis, MN 55415
 --TRAFFIC DATA --

TH-13 at Fish Point Road
 Ref.Pt.:86+00.568
 data by : Alliant Inc.
 TURN MOVEMENT COUNT

File Name : 507_TH 13 & Fish Point Rd
 Site Code : 507
 Start Date : 1/26/2017
 Page No : 4

Start Time	TH 13 From North					Fish Point Rd From East					TH 13 From South					Fish Point Rd From West					Int. Total
	Other	Rgh t	Thr u	Left	App. Total	Other	Rgh t	Thr u	Left	App. Total	Other	Rgh t	Thr u	Left	App. Total	Other	Rgh t	Thr u	Left	App. Total	
Peak Hour Analysis From 12:00 PM to 05:45 PM - Peak 1 of 1																					
Peak Hour for Entire Intersection Begins at 04:45 PM																					
04:45 PM	0	3	211	33	247	0	19	1	0	20	0	1	94	13	108	0	9	1	2	12	387
05:00 PM	0	10	206	20	236	0	18	3	0	21	0	3	141	10	154	0	9	6	1	16	427
05:15 PM	0	6	175	34	215	0	18	2	2	22	0	2	128	7	137	0	12	0	6	18	392
05:30 PM	0	4	169	41	214	0	28	4	5	37	0	2	121	9	132	0	9	2	2	13	396
Total Volume	0	23	761	128	912	0	83	10	7	100	0	8	484	39	531	0	39	9	11	59	1602
% App. Total	0	2.5	83.4	14		0	83	10	7		0	1.5	91.1	7.3		0	66.1	15.3	18.6		
PHF	.000	.575	.902	.780	.923	.000	.741	.625	.350	.676	.000	.667	.858	.750	.862	.000	.813	.375	.458	.819	.938

