

TRAFFIC DATA INC.

3268 Xenwood Ave S
St Louis Park, MN 55416

TH-13 at Fish Point Rd. PRIOR LAKE
Ref.Pt.: 086.549
data by: Traffic Data Inc
TURN MOVEMENT COUNT

File Name : TH-13 at Fish Point Rd 2009
Site Code : 00182917
Start Date : 4/30/2009
Page No : 1

Groups Printed- Unshifted

Start Time	TH-13 Southbound				Fish Point Rd Westbound				TH-13 Northbound				Fish Point Rd Eastbound				Int. Total
	Left	Thru	Right	Peds	Left	Thru	Right	Peds	Left	Thru	Right	Peds	Left	Thru	Right	Peds	
06:00	1	12	0	0	1	0	14	0	2	99	0	0	5	1	6	0	141
06:15	2	14	0	0	1	0	17	0	0	128	0	0	11	0	5	0	178
06:30	3	19	0	0	0	0	20	0	0	146	0	0	15	0	5	0	208
06:45	17	33	1	0	1	1	30	0	1	209	2	0	30	4	4	0	333
Total	23	78	1	0	3	1	81	0	3	582	2	0	61	5	20	0	860
07:00	26	44	1	0	3	4	48	0	2	202	2	0	25	3	9	0	369
07:15	32	47	1	0	3	1	34	1	2	152	2	0	18	8	11	0	312
07:30	19	47	0	0	2	3	46	0	4	149	2	0	18	5	7	0	302
07:45	9	49	1	0	2	0	21	0	5	150	4	0	16	1	11	0	269
Total	86	187	3	0	10	8	149	1	13	653	10	0	77	17	38	0	1252
08:00	9	54	2	0	2	0	10	0	1	124	3	0	15	1	9	0	230
08:15	2	71	1	0	0	0	15	0	8	161	0	0	16	0	15	0	289
08:30	10	71	0	0	2	0	14	0	7	132	4	0	7	1	7	0	255
08:45	10	87	3	0	2	1	12	0	5	123	2	0	8	3	10	0	266
Total	31	283	6	0	6	1	51	0	21	540	9	0	46	5	41	0	1040
*** BREAK ***																	
11:00	0	96	2	0	0	0	11	0	4	116	1	0	4	0	2	0	236
11:15	5	120	5	0	0	1	11	0	5	114	3	0	4	0	5	0	273
11:30	9	102	2	0	0	0	4	0	2	114	3	0	1	0	2	1	240
11:45	8	122	2	0	2	0	6	0	4	105	4	0	4	1	9	0	267
Total	22	440	11	0	2	1	32	0	15	449	11	0	13	1	18	1	1016
12:00	8	123	2	0	5	2	3	1	9	130	7	0	2	0	5	0	297
12:15	7	112	4	0	0	1	15	0	7	107	2	0	3	0	2	0	260
12:30	14	108	2	0	4	0	10	0	5	107	3	0	3	0	1	0	257
12:45	11	102	1	0	2	0	7	0	2	110	3	0	3	0	8	0	249
Total	40	445	9	0	11	3	35	1	23	454	15	0	11	0	16	0	1063
*** BREAK ***																	
15:00	13	158	5	0	2	2	16	0	8	136	2	0	6	1	6	0	355
15:15	19	177	12	0	1	2	20	0	11	120	1	0	12	4	15	0	394
15:30	21	200	4	0	1	1	17	1	12	163	3	0	5	0	11	0	439
15:45	17	187	5	0	1	2	13	0	5	146	2	0	4	3	9	0	394
Total	70	722	26	0	5	7	66	1	36	565	8	0	27	8	41	0	1582
16:00	28	196	8	2	1	3	12	0	16	128	5	0	8	2	12	0	421
16:15	27	161	9	0	1	4	12	0	15	154	4	0	9	6	7	3	412
16:30	17	220	8	0	2	3	13	1	11	135	5	0	4	3	8	1	431
16:45	12	217	8	0	2	3	6	3	15	146	3	0	8	2	7	0	432
Total	84	794	33	2	6	13	43	4	57	563	17	0	29	13	34	4	1696
17:00	24	186	7	0	2	1	11	1	11	132	3	0	9	0	8	0	395
17:15	22	192	8	0	5	2	9	1	9	143	3	0	8	0	6	0	408
17:30	41	215	8	0	1	4	7	0	10	134	2	0	11	0	14	0	447
17:45	34	208	6	0	3	6	25	1	10	132	2	0	6	5	23	0	461
Total	121	801	29	0	11	13	52	3	40	541	10	0	34	5	51	0	1711
Grand Total	477	3750	118	2	54	47	509	10	208	4347	82	0	298	54	259	5	10220
Apprch %	11	86.3	2.7	0	8.7	7.6	82.1	1.6	4.5	93.7	1.8	0	48.4	8.8	42	0.8	
Total %	4.7	36.7	1.2	0	0.5	0.5	5	0.1	2	42.5	0.8	0	2.9	0.5	2.5	0	

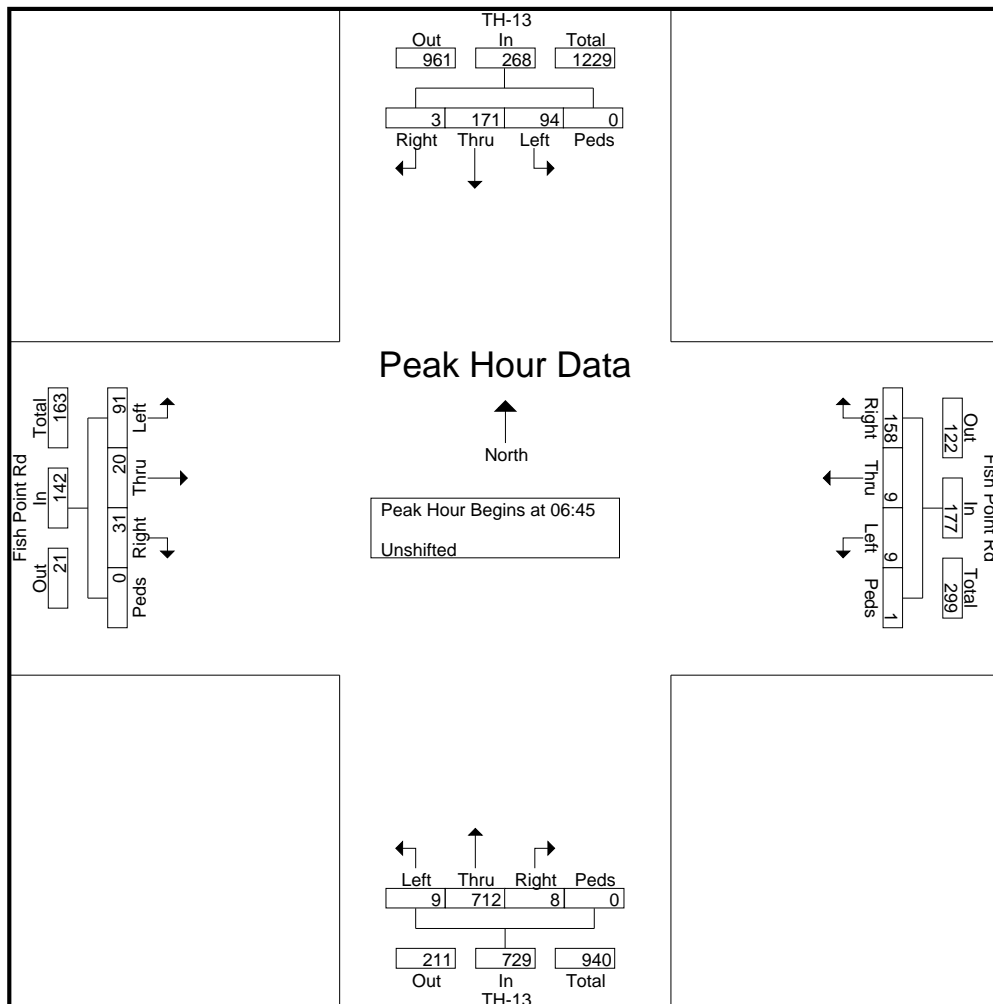
TRAFFIC DATA INC.

3268 Xenwood Ave S
St Louis Park, MN 55416

TH-13 at Fish Point Rd. PRIOR LAKE
Ref.Pt.: 086.549
data by: Traffic Data Inc
TURN MOVEMENT COUNT

File Name : TH-13 at Fish Point Rd 2009
Site Code : 00182917
Start Date : 4/30/2009
Page No : 2

Start Time	TH-13 Southbound					Fish Point Rd Westbound					TH-13 Northbound					Fish Point Rd Eastbound					Int. Total
	Left	Thru	Right	Peds	App. Total	Left	Thru	Right	Peds	App. Total	Left	Thru	Right	Peds	App. Total	Left	Thru	Right	Peds	App. Total	
Peak Hour Analysis From 06:00 to 08:45 - Peak 1 of 1																					
Peak Hour for Entire Intersection Begins at 06:45																					
06:45	17	33	1	0	51	1	1	30	0	32	1	209	2	0	212	30	4	4	0	38	333
07:00	26	44	1	0	71	3	4	48	0	55	2	202	2	0	206	25	3	9	0	37	369
07:15	32	47	1	0	80	3	1	34	1	39	2	152	2	0	156	18	8	11	0	37	312
07:30	19	47	0	0	66	2	3	46	0	51	4	149	2	0	155	18	5	7	0	30	302
Total Volume	94	171	3	0	268	9	9	158	1	177	9	712	8	0	729	91	20	31	0	142	1316
% App. Total	35.1	63.8	1.1	0		5.1	5.1	89.3	0.6		1.2	97.7	1.1	0		64.1	14.1	21.8	0		
PHF	.734	.910	.750	.000	.838	.750	.563	.823	.250	.805	.563	.852	1.000	.000	.860	.758	.625	.705	.000	.934	.892



TRAFFIC DATA INC.

3268 Xenwood Ave S
St Louis Park, MN 55416

TH-13 at Fish Point Rd. PRIOR LAKE
Ref.Pt.: 086.549
data by: Traffic Data Inc
TURN MOVEMENT COUNT

File Name : TH-13 at Fish Point Rd 2009
Site Code : 00182917
Start Date : 4/30/2009
Page No : 3

Start Time	TH-13 Southbound					Fish Point Rd Westbound					TH-13 Northbound					Fish Point Rd Eastbound					Int. Total
	Left	Thru	Right	Peds	App. Total	Left	Thru	Right	Peds	App. Total	Left	Thru	Right	Peds	App. Total	Left	Thru	Right	Peds	App. Total	
Peak Hour Analysis From 15:00 to 17:45 - Peak 1 of 1																					
Peak Hour for Entire Intersection Begins at 17:00																					
17:00	24	186	7	0	217	2	1	11	1	15	11	132	3	0	146	9	0	8	0	17	395
17:15	22	192	8	0	222	5	2	9	1	17	9	143	3	0	155	8	0	6	0	14	408
17:30	41	215	8	0	264	1	4	7	0	12	10	134	2	0	146	11	0	14	0	25	447
17:45	34	208	6	0	248	3	6	25	1	35	10	132	2	0	144	6	5	23	0	34	461
Total Volume	121	801	29	0	951	11	13	52	3	79	40	541	10	0	591	34	5	51	0	90	1711
% App. Total	12.7	84.2	3	0		13.9	16.5	65.8	3.8		6.8	91.5	1.7	0		37.8	5.6	56.7	0		
PHF	.738	.931	.906	.000	.901	.550	.542	.520	.750	.564	.909	.946	.833	.000	.953	.773	.250	.554	.000	.662	.928

