



MINNESOTA DEPT OF TRANSPORTATION

TRAFFIC COLLECTION - METRO

Location: TH 13 AT 150TH ST.

REF.PT: 087+00.348

JAMAR#632\DR

TURN MOVEMENT COUNT

File Name : TH 13 AT 150TH ST TM 2006

Site Code : 00000000

Start Date : 6/13/2006

Page No : 1

Groups Printed- Cars & Trucks

Start Time	TH 13 Southbound				150TH ST Westbound				TH 13 Northbound				150TH ST Eastbound				Int. Total
	Right	Thru	Left	Peds	Right	Thru	Left	Peds	Right	Thru	Left	Peds	Right	Thru	Left	Peds	
06:00	2	31	2	0	2	0	1	0	1	133	0	0	1	0	10	0	183
06:15	1	47	1	0	3	0	0	0	1	162	0	0	0	1	11	0	227
06:30	2	56	0	0	2	0	1	0	3	181	0	0	0	2	18	0	265
06:45	3	65	1	0	1	1	2	0	13	185	0	0	0	3	10	0	284
Total	8	199	4	0	8	1	4	0	18	661	0	0	1	6	49	0	959
07:00	5	56	2	0	5	1	1	0	10	178	0	0	2	1	9	0	270
07:15	3	60	1	0	2	0	4	0	14	189	0	0	2	3	13	0	291
07:30	6	57	3	0	5	1	4	0	4	209	0	0	1	6	14	0	310
07:45	3	71	0	0	7	2	1	0	13	181	1	0	1	2	12	0	294
Total	17	244	6	0	19	4	10	0	41	757	1	0	6	12	48	0	1165
08:00	4	75	4	0	5	3	5	0	7	169	3	0	2	2	7	0	286
08:15	4	80	2	0	4	0	1	0	15	171	4	0	1	4	9	0	295
08:30	3	80	2	0	5	2	2	0	3	150	2	0	3	1	12	0	265
08:45	11	82	3	0	2	2	3	0	4	148	2	0	1	2	6	0	266
Total	22	317	11	0	16	7	11	0	29	638	11	0	7	9	34	0	1112
15:00	14	164	4	0	7	3	7	0	7	142	3	0	2	1	9	0	363
15:15	13	199	8	0	4	1	6	0	5	134	1	0	3	1	8	0	383
15:30	17	192	10	0	7	2	7	0	6	126	1	0	1	3	4	0	376
15:45	15	176	10	0	3	3	5	0	3	147	3	0	2	0	2	0	369
Total	59	731	32	0	21	9	25	0	21	549	8	0	8	5	23	0	1491
16:00	23	204	4	0	10	1	6	0	5	155	6	0	2	0	2	0	418
16:15	23	217	7	0	3	0	1	0	8	144	2	0	2	1	5	0	413
16:30	20	268	4	0	3	5	3	0	5	123	3	0	2	3	8	0	447
16:45	18	222	9	0	6	2	10	0	4	128	0	0	0	1	7	0	407
Total	84	911	24	0	22	8	20	0	22	550	11	0	6	5	22	0	1685
17:00	25	253	5	0	3	3	3	0	9	135	3	0	2	1	7	0	449
17:15	27	271	11	0	4	3	5	0	7	123	1	0	1	1	10	0	464
17:30	24	271	11	0	2	0	2	0	5	181	0	0	3	2	7	0	508
17:45	26	259	13	0	4	1	5	0	7	144	4	0	2	2	13	0	480
Total	102	1054	40	0	13	7	15	0	28	583	8	0	8	6	37	0	1901
Grand Total	292	3456	117	0	99	36	85	0	159	3738	39	0	36	43	213	0	8313
Apprch %	7.6	89.4	3	0	45	16.4	38.6	0	4	95	1	0	12.3	14.7	72.9	0	
Total %	3.5	41.6	1.4	0	1.2	0.4	1	0	1.9	45	0.5	0	0.4	0.5	2.6	0	



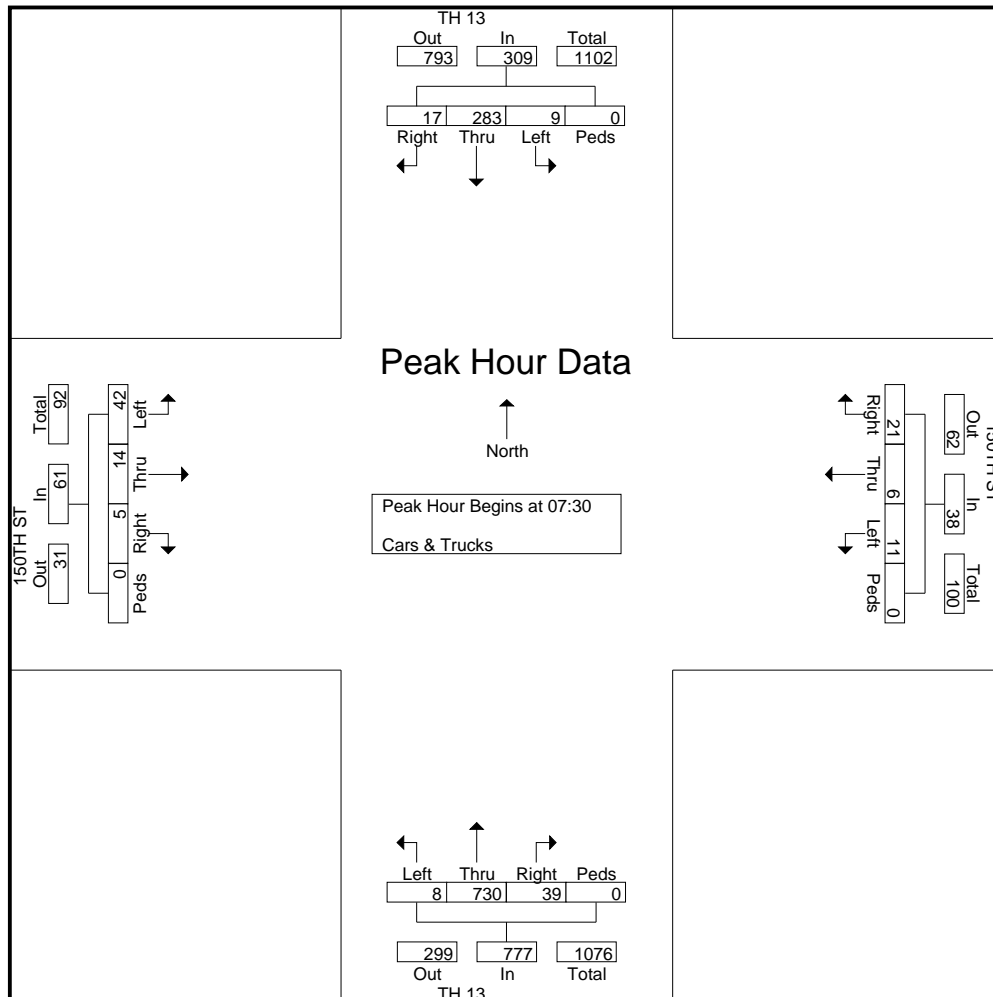
MINNESOTA DEPT OF TRANSPORTATION

TRAFFIC COLLECTION - METRO

Location: TH 13 AT 150TH ST.
 REF.PT: 087+00.348
 JAMAR#632\DR
 TURN MOVEMENT COUNT

File Name : TH 13 AT 150TH ST TM 2006
 Site Code : 00000000
 Start Date : 6/13/2006
 Page No : 2

Start Time	TH 13 Southbound					150TH ST Westbound					TH 13 Northbound					150TH ST Eastbound					Int. Total
	Right	Thru	Left	Peds	App. Total	Right	Thru	Left	Peds	App. Total	Right	Thru	Left	Peds	App. Total	Right	Thru	Left	Peds	App. Total	
Peak Hour Analysis From 06:00 to 12:00 - Peak 1 of 1																					
Peak Hour for Entire Intersection Begins at 07:30																					
07:30	6	57	3	0	66	5	1	4	0	10	4	209	0	0	213	1	6	14	0	21	310
07:45	3	71	0	0	74	7	2	1	0	10	13	181	1	0	195	1	2	12	0	15	294
08:00	4	75	4	0	83	5	3	5	0	13	7	169	3	0	179	2	2	7	0	11	286
08:15	4	80	2	0	86	4	0	1	0	5	15	171	4	0	190	1	4	9	0	14	295
Total Volume	17	283	9	0	309	21	6	11	0	38	39	730	8	0	777	5	14	42	0	61	1185
% App. Total	5.5	91.6	2.9	0		55.3	15.8	28.9	0		5	94	1	0		8.2	23	68.9	0		
PHF	.708	.884	.563	.000	.898	.750	.500	.550	.000	.731	.650	.873	.500	.000	.912	.625	.583	.750	.000	.726	.956





MINNESOTA DEPT OF TRANSPORTATION

TRAFFIC COLLECTION - METRO

Location: TH 13 AT 150TH ST.
 REF.PT: 087+00.348
 JAMAR#632\DR
 TURN MOVEMENT COUNT

File Name : TH 13 AT 150TH ST TM 2006
 Site Code : 00000000
 Start Date : 6/13/2006
 Page No : 3

Start Time	TH 13 Southbound					150TH ST Westbound					TH 13 Northbound					150TH ST Eastbound					Int. Total
	Right	Thru	Left	Peds	App. Total	Right	Thru	Left	Peds	App. Total	Right	Thru	Left	Peds	App. Total	Right	Thru	Left	Peds	App. Total	
Peak Hour Analysis From 12:15 to 17:45 - Peak 1 of 1																					
Peak Hour for Entire Intersection Begins at 17:00																					
17:00	25	253	5	0	283	3	3	3	0	9	9	135	3	0	147	2	1	7	0	10	449
17:15	27	271	11	0	309	4	3	5	0	12	7	123	1	0	131	1	1	10	0	12	464
17:30	24	271	11	0	306	2	0	2	0	4	5	181	0	0	186	3	2	7	0	12	508
17:45	26	259	13	0	298	4	1	5	0	10	7	144	4	0	155	2	2	13	0	17	480
Total Volume	102	1054	40	0	1196	13	7	15	0	35	28	583	8	0	619	8	6	37	0	51	1901
% App. Total	8.5	88.1	3.3	0		37.1	20	42.9	0		4.5	94.2	1.3	0		15.7	11.8	72.5	0		
PHF	.944	.972	.769	.000	.968	.813	.583	.750	.000	.729	.778	.805	.500	.000	.832	.667	.750	.712	.000	.750	.936

