



MINNESOTA DEPT OF TRANSPORTATION

TRAFFIC DATA COLLECTION - METRO

TH-13 at Zinran Ave/ Oakland Beach Ave S
 Ref.Pt.: 087.621
 video JI
 TURN MOVEMENT COUNT

File Name : TH-13 at Zinran Ave 2013
 Site Code :
 Start Date : 11/13/2013
 Page No : 1

Groups Printed- Cars +

Start Time	Oakland Beach Ave. Southbound				TH-13 Westbound				Zinran Ave. Northbound				TH-13 Eastbound				Int. Total
	Right	Thru	Left	Peds	Right	Thru	Left	Peds	Right	Thru	Left	Peds	Right	Thru	Left	Peds	
06:00	1	0	1	0	0	18	0	0	8	0	0	0	0	128	0	0	156
06:15	1	1	2	0	0	38	0	0	13	0	0	0	0	145	0	0	200
06:30	1	0	1	0	0	52	0	0	19	0	1	0	1	175	0	0	250
06:45	3	1	1	0	0	100	1	0	18	0	1	0	0	206	0	0	331
Total	6	2	5	0	0	208	1	0	58	0	2	0	1	654	0	0	937
07:00	3	0	5	0	0	126	0	0	32	0	1	0	1	240	2	0	410
07:15	3	0	2	0	1	131	0	0	33	0	3	0	6	262	1	0	442
07:30	4	4	3	0	1	138	0	0	41	2	0	0	4	212	2	0	411
07:45	0	4	1	0	1	175	0	0	33	0	2	0	2	208	1	0	427
Total	10	8	11	0	3	570	0	0	139	2	6	0	13	922	6	0	1690
08:00	2	0	1	0	1	126	0	0	49	0	0	0	5	191	1	0	376
08:15	1	0	1	0	1	143	0	0	23	0	0	0	2	218	0	0	389
08:30	4	0	0	0	0	99	0	0	13	0	2	0	1	222	0	0	341
08:45	2	3	0	0	2	94	1	0	11	0	0	0	0	162	0	0	275
Total	9	3	2	0	4	462	1	0	96	0	2	0	8	793	1	0	1381
***** BREAK *****																	
15:00	1	1	0	0	1	197	0	0	36	0	4	0	2	157	2	0	401
15:15	4	1	1	0	2	216	2	0	67	1	2	0	0	174	1	0	471
15:30	4	1	2	0	7	258	0	0	26	0	0	0	0	180	1	0	479
15:45	2	0	1	0	3	259	0	0	22	1	1	0	1	185	1	0	476
Total	11	3	4	0	13	930	2	0	151	2	7	0	3	696	5	0	1827
16:00	0	0	1	0	1	258	2	0	25	0	0	0	0	201	0	0	488
16:15	2	0	2	0	2	265	1	0	34	0	1	0	1	146	1	0	455
16:30	1	0	0	0	4	281	0	0	18	0	3	0	1	160	1	0	469
16:45	0	0	0	0	5	296	0	0	22	0	1	0	2	179	0	0	505
Total	3	0	3	0	12	1100	3	0	99	0	5	0	4	686	2	0	1917
17:00	2	0	2	0	3	309	5	0	33	1	0	0	1	137	0	0	493
17:15	0	1	6	0	1	289	0	0	32	0	0	0	1	183	1	0	514
17:30	0	0	0	0	4	291	1	0	20	1	0	0	1	146	0	0	464
17:45	3	0	3	0	1	305	0	0	10	2	3	0	7	149	2	0	485
Total	5	1	11	0	9	1194	6	0	95	4	3	0	10	615	3	0	1956
Grand Total	44	17	36	0	41	4464	13	0	638	8	25	0	39	4366	17	0	9708
Apprch %	45.4	17.5	37.1	0	0.9	98.8	0.3	0	95.1	1.2	3.7	0	0.9	98.7	0.4	0	
Total %	0.5	0.2	0.4	0	0.4	46	0.1	0	6.6	0.1	0.3	0	0.4	45	0.2	0	



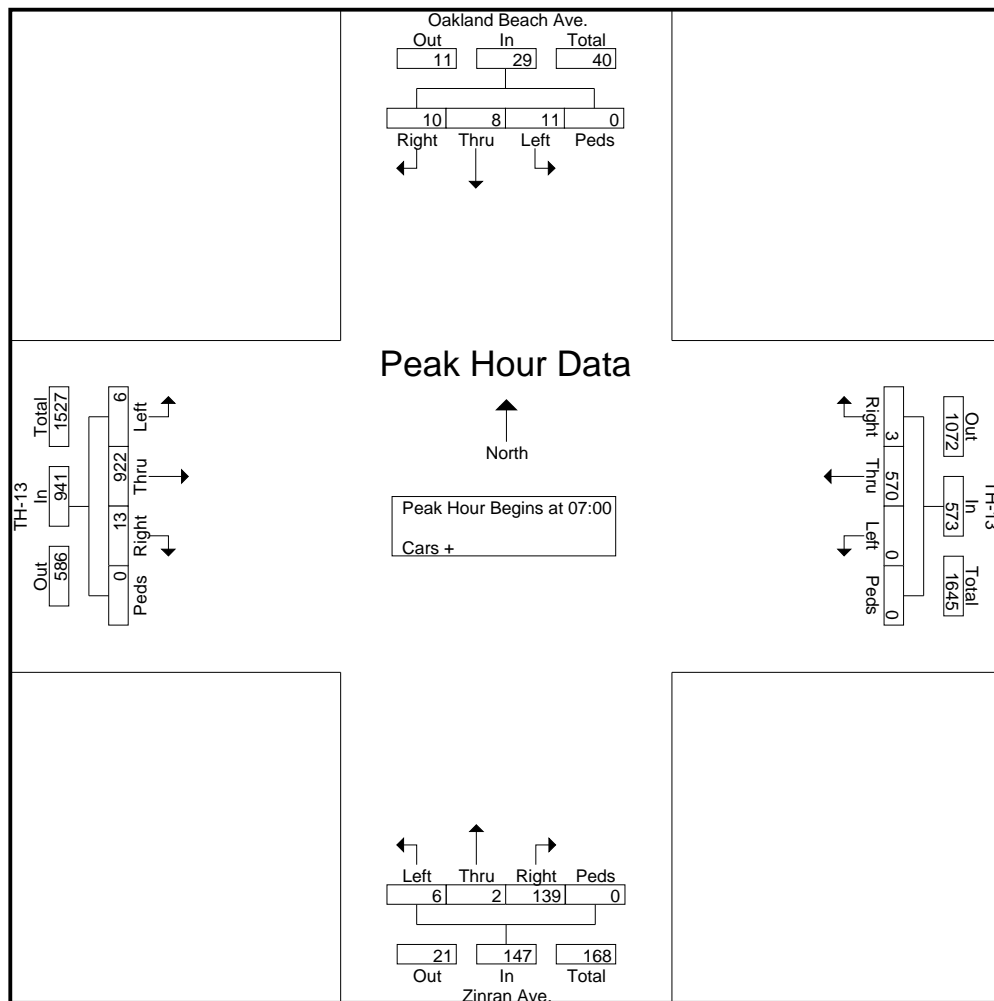
MINNESOTA DEPT OF TRANSPORTATION

TRAFFIC DATA COLLECTION - METRO

TH-13 at Zinran Ave/ Oakland Beach Ave S
 Ref.Pt.: 087.621
 video JI
 TURN MOVEMENT COUNT

File Name : TH-13 at Zinran Ave 2013
 Site Code :
 Start Date : 11/13/2013
 Page No : 2

Start Time	Oakland Beach Ave. Southbound					TH-13 Westbound					Zinran Ave. Northbound					TH-13 Eastbound					Int. Total
	Right	Thru	Left	Peds	App. Total	Right	Thru	Left	Peds	App. Total	Right	Thru	Left	Peds	App. Total	Right	Thru	Left	Peds	App. Total	
Peak Hour Analysis From 06:00 to 08:45 - Peak 1 of 1																					
Peak Hour for Entire Intersection Begins at 07:00																					
07:00	3	0	5	0	8	0	126	0	0	126	32	0	1	0	33	1	240	2	0	243	410
07:15	3	0	2	0	5	1	131	0	0	132	33	0	3	0	36	6	262	1	0	269	442
07:30	4	4	3	0	11	1	138	0	0	139	41	2	0	0	43	4	212	2	0	218	411
07:45	0	4	1	0	5	1	175	0	0	176	33	0	2	0	35	2	208	1	0	211	427
Total Volume	10	8	11	0	29	3	570	0	0	573	139	2	6	0	147	13	922	6	0	941	1690
% App. Total	34.5	27.6	37.9	0		0.5	99.5	0	0		94.6	1.4	4.1	0		1.4	98	0.6	0		
PHF	.625	.500	.550	.000	.659	.750	.814	.000	.000	.814	.848	.250	.500	.000	.855	.542	.880	.750	.000	.875	.956





MINNESOTA DEPT OF TRANSPORTATION

TRAFFIC DATA COLLECTION - METRO

TH-13 at Zinran Ave/ Oakland Beach Ave S
 Ref.Pt.: 087.621
 video JI
 TURN MOVEMENT COUNT

File Name : TH-13 at Zinran Ave 2013
 Site Code :
 Start Date : 11/13/2013
 Page No : 3

Start Time	Oakland Beach Ave. Southbound					TH-13 Westbound					Zinran Ave. Northbound					TH-13 Eastbound					Int. Total
	Rig ht	Thr u	Left	Ped s	App. Total	Rig ht	Thr u	Left	Ped s	App. Total	Right	Thr u	Left	Peds	App. Total	Right	Thr u	Left	Peds	App. Total	
16:30	1	0	0	0	1	4	281	0	0	285	18	0	3	0	21	1	160	1	0	162	469
16:45	0	0	0	0	0	5	296	0	0	301	22	0	1	0	23	2	179	0	0	181	505
17:00	2	0	2	0	4	3	309	5	0	317	33	1	0	0	34	1	137	0	0	138	493
17:15	0	1	6	0	7	1	289	0	0	290	32	0	0	0	32	1	183	1	0	185	514
Total Volume	3	1	8	0	12	13	1175	5	0	1193	105	1	4	0	110	5	659	2	0	666	1981
% App. Total	25	8.3	66.7	0		1.1	98.5	0.4	0		95.5	0.9	3.6	0		0.8	98.9	0.3	0		
PHF	.375	.250	.333	.000	.429	.650	.951	.250	.000	.941	.795	.250	.333	.000	.809	.625	.900	.500	.000	.900	.964

Peak Hour Analysis From 15:00 to 17:45 - Peak 1 of 1
 Peak Hour for Entire Intersection Begins at 16:30

