



# MINNESOTA DEPT OF TRANSPORTATION

## TRAFFIC DATA COLLECTION - METRO

TH-13 at South Park Drive SAVAGE  
 Ref.Pt.: 088.240  
 JAMAR # D4-3365 CH  
 TURN MOVEMENT COUNT

File Name : th-13 at south park drive 2008  
 Site Code : 00000000  
 Start Date : 11/5/2008  
 Page No : 1

### Groups Printed- Cars & Trucks

Start Time	TH-13 Southbound				SOUTH PARK DRIVE Westbound				TH-13 Northbound				BOUDIN ST Eastbound				Int. Total
	Left	Thru	Right	Peds	Left	Thru	Right	Peds	Left	Thru	Right	Peds	Left	Thru	Right	Peds	
06:00	4	27	0	0	3	2	20	0	1	118	2	0	2	3	1	0	183
06:15	4	31	0	0	3	1	16	0	1	159	5	0	4	0	2	0	226
06:30	7	57	0	0	7	3	41	0	7	208	4	0	2	2	4	0	342
06:45	17	119	1	0	5	2	48	0	3	240	6	0	7	4	4	0	456
Total	32	234	1	0	18	8	125	0	12	725	17	0	15	9	11	0	1207
07:00	12	99	1	0	7	5	50	0	10	273	6	0	8	3	7	0	481
07:15	15	85	2	0	11	5	49	0	11	245	6	0	9	2	6	0	446
07:30	21	104	2	0	10	4	44	0	17	226	18	0	14	0	3	0	463
07:45	24	100	1	0	9	12	36	0	9	222	25	0	10	8	7	1	464
Total	72	388	6	0	37	26	179	0	47	966	55	0	41	13	23	1	1854
08:00	14	69	3	0	14	2	42	0	8	175	14	0	11	7	7	0	366
08:15	19	95	2	0	14	6	40	0	12	212	23	0	15	0	8	0	446
08:30	14	64	0	0	11	8	29	0	8	192	25	0	4	3	9	0	367
08:45	18	79	3	0	11	3	29	0	14	144	16	0	4	4	4	0	329
Total	65	307	8	0	50	19	140	0	42	723	78	0	34	14	28	0	1508
*** BREAK ***																	
15:00	20	160	5	0	39	4	18	0	10	113	27	0	11	5	16	0	428
15:15	27	192	2	0	33	5	19	0	8	115	18	0	9	6	11	0	445
15:30	25	190	2	0	38	7	32	0	8	173	24	0	7	2	6	0	514
15:45	40	183	4	0	30	5	20	0	12	140	25	0	7	5	5	0	476
Total	112	725	13	0	140	21	89	0	38	541	94	0	34	18	38	0	1863
16:00	51	188	2	0	26	7	22	0	6	120	21	0	15	6	19	0	483
16:15	49	216	9	0	44	4	25	0	15	141	21	0	15	7	10	0	556
16:30	42	205	4	0	39	7	35	0	13	124	34	0	16	11	14	0	544
16:45	61	233	8	0	46	10	28	0	6	121	38	0	13	11	16	0	591
Total	203	842	23	0	155	28	110	0	40	506	114	0	59	35	59	0	2174
17:00	64	230	6	0	42	5	38	0	13	125	19	0	24	16	20	0	602
17:15	68	205	6	0	48	9	34	1	14	141	33	0	15	8	16	0	598
17:30	54	219	4	0	45	7	42	0	4	142	36	0	13	9	21	0	596
17:45	58	226	2	0	40	10	39	0	10	140	19	0	9	3	19	0	575
Total	244	880	18	0	175	31	153	1	41	548	107	0	61	36	76	0	2371
Grand Total	728	3376	69	0	575	133	796	1	220	4009	465	0	244	125	235	1	10977
Apprch %	17.4	80.9	1.7	0	38.2	8.8	52.9	0.1	4.7	85.4	9.9	0	40.3	20.7	38.8	0.2	
Total %	6.6	30.8	0.6	0	5.2	1.2	7.3	0	2	36.5	4.2	0	2.2	1.1	2.1	0	



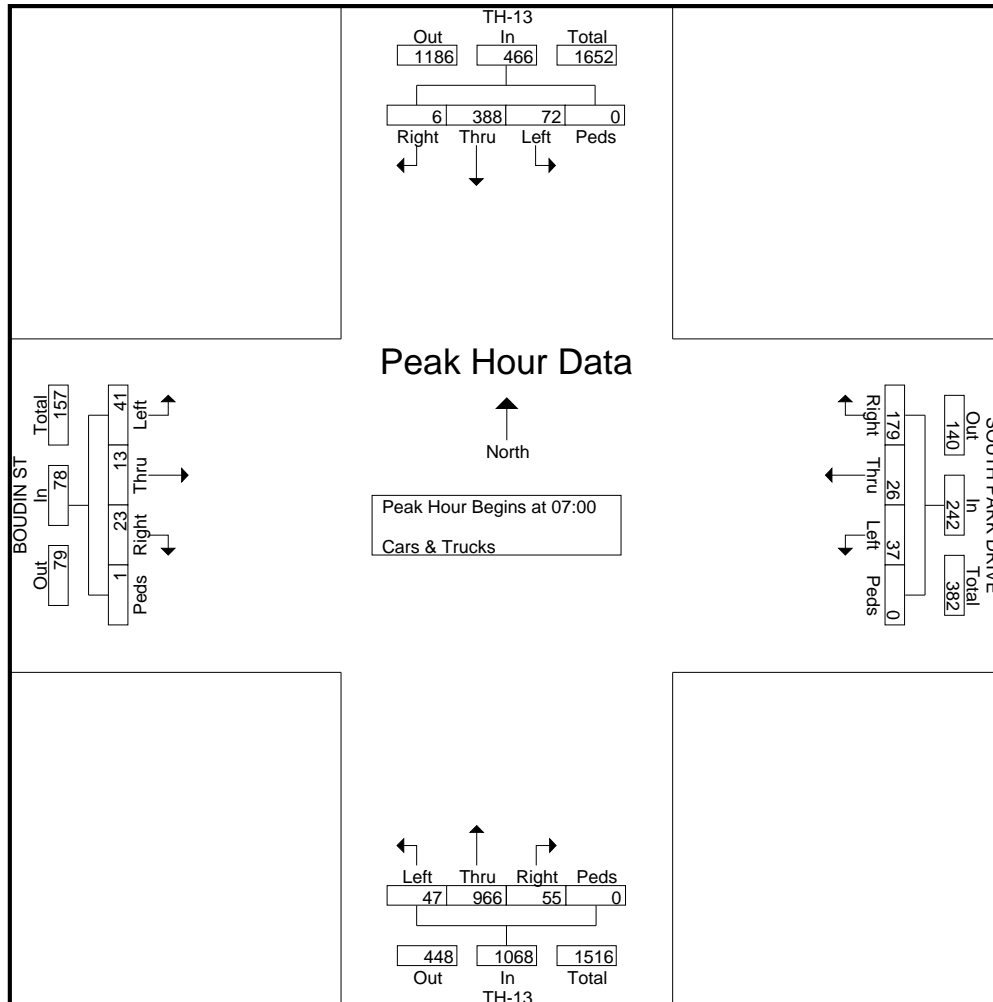
# MINNESOTA DEPT OF TRANSPORTATION

## TRAFFIC DATA COLLECTION - METRO

TH-13 at South Park Drive SAVAGE  
 Ref.Pt.: 088.240  
 JAMAR # D4-3365 CH  
 TURN MOVEMENT COUNT

File Name : th-13 at south park drive 2008  
 Site Code : 00000000  
 Start Date : 11/5/2008  
 Page No : 2

Start Time	TH-13 Southbound					SOUTH PARK DRIVE Westbound					TH-13 Northbound					BOUDIN ST Eastbound					Int. Total
	Left	Thru	Right	Peds	App. Total	Left	Thru	Right	Peds	App. Total	Left	Thru	Right	Peds	App. Total	Left	Thru	Right	Peds	App. Total	
Peak Hour Analysis From 06:00 to 08:45 - Peak 1 of 1																					
Peak Hour for Entire Intersection Begins at 07:00																					
07:00	12	99	1	0	112	7	5	50	0	62	10	273	6	0	289	8	3	7	0	18	481
07:15	15	85	2	0	102	11	5	49	0	65	11	245	6	0	262	9	2	6	0	17	446
07:30	21	104	2	0	127	10	4	44	0	58	17	226	18	0	261	14	0	3	0	17	463
07:45	24	100	1	0	125	9	12	36	0	57	9	222	25	0	256	10	8	7	1	26	464
Total Volume	72	388	6	0	466	37	26	179	0	242	47	966	55	0	1068	41	13	23	1	78	1854
% App. Total	15.5	83.3	1.3	0		15.3	10.7	74	0		4.4	90.4	5.1	0		52.6	16.7	29.5	1.3		
PHF	.750	.933	.750	.000	.917	.841	.542	.895	.000	.931	.691	.885	.550	.000	.924	.732	.406	.821	.250	.750	.964





# MINNESOTA DEPT OF TRANSPORTATION

## TRAFFIC DATA COLLECTION - METRO

TH-13 at South Park Drive SAVAGE File Name : th-13 at south park drive 2008  
 Ref.Pt.: 088.240 Site Code : 00000000  
 JAMAR # D4-3365 CH Start Date : 11/5/2008  
 TURN MOVEMENT COUNT Page No : 3

Start Time	TH-13 Southbound					SOUTH PARK DRIVE Westbound					TH-13 Northbound					BOUDIN ST Eastbound					Int. Total
	Left	Thru	Right	Peds	App. Total	Left	Thru	Right	Peds	App. Total	Left	Thru	Right	Peds	App. Total	Left	Thru	Right	Peds	App. Total	

Peak Hour Analysis From 15:00 to 17:45 - Peak 1 of 1

Peak Hour for Entire Intersection Begins at 16:45

16:45	61	233	8	0	302	46	10	28	0	84	6	121	38	0	165	13	11	16	0	40	591
17:00	64	230	6	0	300	42	5	38	0	85	13	125	19	0	157	24	16	20	0	60	602
17:15	68	205	6	0	279	48	9	34	1	92	14	141	33	0	188	15	8	16	0	39	598
17:30	54	219	4	0	277	45	7	42	0	94	4	142	36	0	182	13	9	21	0	43	596
Total Volume	247	887	24	0	1158	181	31	142	1	355	37	529	126	0	692	65	44	73	0	182	2387
% App. Total	21.3	76.6	2.1	0		51	8.7	40	0.3		5.3	76.4	18.2	0		35.7	24.2	40.1	0		
PHF	.908	.952	.750	.000	.959	.943	.775	.845	.250	.944	.661	.931	.829	.000	.920	.677	.688	.869	.000	.758	.991

